

General Information

Electric Release Latch Strikes

Easily installed in place of latch strike to provide remote-controlled access for a door equipped with Adams Rite deadlatch or latches by others on the following page. (Not suitable for Series MS+1890 Latch/Lock.) Reversible for right or left hand doors. Operates on low voltage. Electric strikes for hollow jambs fit channel as shallow as 1.6" (except those for mortise latches—1.75").



How to Order

1) Specify model, quantity and the following information. (The model 7110 shown below is for example only.) Order 4603 Rectifier and/or 4605 or 4606 Transformer separately (4603 included with AC Cont.)

	Voltage	Current & Duty	Features**
7110 7-15/16"	3 12 Volt	1 DC Continuous	0 Std/Fail-Secure
7111 10-1/4"	4 16 Volt	or Intermittent	5 Fail-Safe
	5 24 Volt	2 AC Continuous*	7 Monitor/Fail Safe
		4 AC Intermittent	9 Monitor/Fail-Secure

7110 - 315 - 605 - 00

Finish	Lip Extension (Dim. "A") (Door Centerline to Jamb Edge)
628 Satin Aluminum	00 1.06" or less
605 Bright Brass	07 2.25"
612 Satin Bronze	01 1.50"
613 Oil Bronze	02 1.63"
313 Dark "Bronze"	03 1.75"
335 Black	04 1.88"
625 Bright Chrome	05 2.00"
626 Satin Chrome	06 2.13"
	08 2.38"
	09 2.50"
	10 2.63"
	11 2.75"
	12 2.88"
	13 3.00"

*A DC strike with rectifier attached for use on AC current.
 **Fail-secure can be field converted to fail-safe or vice-versa
 ***7300 series is available in 12 and 24 volts DC only.

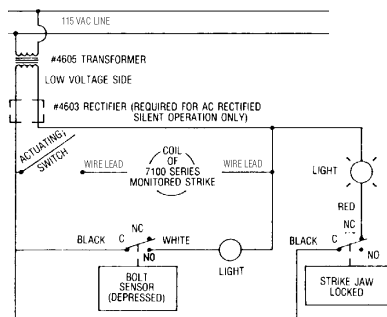
Options and Accessories

4603 Rectifier

Converts low voltage AC current to DC of same voltage (e.g. 24VAC to 24VDC).



Monitor Switches



Monitoring strikes enable the operator to get a visual or audible signal of the strike's condition. Two sensor switches are added to the strike, allowing for a variety of configurations for different requirements.

Lip Extensions

For centerhung doors, thick doors, or other conditions that vary from the "standard." By punching out holes in the standard lip, the lip extensions can be added in the field. Lip extensions come in different widths.



Transformers

Converts 115VAC current to 24VAC. Model 4605 can be mounted to a standard electrical junction box. Model 4606 plugs into a standard wall outlet.



Wire-Color Designations

Solenoid—Black wire with:

Yellow—12VAC Blue—16VAC
 Green—16VDC White—24VDC
 Red—12VDC or 24VAC

Monitor Switch— Black—Common
 Red—Normally Closed White—Normally Open

Voltage

Available in 12, 16 or 24 volt AC and DC. Continuous units are silent. AC intermittent units "Buzz" on operation. Field convertible from Fail Safe to Fail Secure, however, AC intermittent solenoid must not be used continuously in either.

Current Draw/Amps

12 Volts—1.42 AC Intermittent—.33 AC or DC Continuous
 16 Volts—1.03 AC Intermittent—.22 AC or DC Continuous
 24 Volts—0.74 AC Intermittent—.17 AC or DC Continuous

ADAMS RITE MANUFACTURING COMPANY

Electric Strikes

Adams Rite Electric Strikes Used With Adams Rite Latches

ADAMS RITE MODEL	SIZE	FACEPLATE SHAPE	CORNERS	STANDARD FINISHES*	JAMB TYPE	NOTES:
7100	1-1/4" x 4-7/8"	Flat	Round	US28 (628), 313	Aluminum	Fits jamb channel 1.6 in. or deeper.
7101	1-1/4" x 4-7/8"	Radius	Round	US28 (628), 313	Aluminum Stile	For inactive door stile in a pair.
7110	1-7/16" x 7-15/16"	Flat	Round	US3 (632), 313 US10 (639) or US26D (652)	Aluminum or Wood	
7111	1-7/16" x 10-1/4"	Flat	Round	US28 (628), 313, 335	Aluminum or Wood	Replaces obsolete 7810LC strikes.
7140	1-1/4" x 4-7/8"	Flat	Square	US28 (628), 313	Hollow Metal or Wood	Per dimensions of American National Stds. Inst.
7130	1-1/4" x 6-7/8"	Flat	Round	US28 (628), 313	Aluminum	For jambs previously prepared for M.S.® lock strike.
7131	1-1/4" x 6-7/8"	Radius	Round	US28 (628), 313	Aluminum Stile	For door stile previously prepared for M.S.® lock strike.

Adams Rite Compact Electric Strikes Used With Adams Rite or Cylindrical Latches

7300	1-1/4" x 4-7/8"	Flat	Round	628, 313, 335	Aluminum
7310	1-7/16" x 7-15/16"	Flat	Round	652, 10B	Hollow Metal or Wood
7311	1-7/16" x 10-1/4"	Flat	Round	652, 10B	Hollow Metal or Wood
7330	1-1/4" x 6-7/8"	Flat	Round	628, 313, 335	Aluminum
7340	1-1/4" x 4-7/8"	Flat	Square	628, 313, 335	Hollow Metal or Wood

Adams Rite Electric Strikes Used With Other Manufacturer Key-in-Knob/Lever Locksets

ADAMS RITE MODEL	SIZE	FACEPLATE SHAPE	CORNERS	FINISH	JAMB TYPE	MFR.	SERIES	MFR.	SERIES
7100	1-1/4" x 4-7/8"	Flat	Round	US28 (628)	Aluminum	ARROW	Q, H, L, M, S, W	SCHLAGE	A, B*, C, D, E, F, H, S and AL
7110	1-7/16" x 7-15/16"	Flat	Round	632, 639, 652	Aluminum	BEST	8K, 9K	SIMPLEX	1000 ¹ , 6000, 7000
7111	1-7/16" x 10-1/4"	Flat	Round	628, 313, 335	Aluminum	CORBIN	CL3300, CL3600	WEISER	E & X
7140	1-1/4" x 4-7/8"	Flat	Square	US28 (628)	Hollow Metal or Wood	RUSSWIN	CL 3800, CL3900, CK4200, CK4400	YALE	5300, 5300LN, 5400 ¹ , 5400LN ¹
						DEXTER	130, 160		
						FALCON	E X, S, G		
						KWIKSET	400,500		[*] Requires 1/16" or more door/jamb gap.
						PDQ	SK, SP, SR, SV, SW		¹ Variations in latches supplied with cylindrical locks can occur causing variations in strike required.
						SARGENT	6500, 6, 7, 8, 9, 10 Line		

* Special finishes are available.

Adams Rite Electric Strikes Used With Other Manufacturer Mortise Locksets

ADAMS RITE MODEL	SIZE	FACEPLATE SHAPE	CORNERS	FINISH	JAMB TYPE	MFR.	SERIES	MFR.	SERIES
7160	1-1/4" x 4-7/8"	Flat	Round	US28 (628)	Aluminum	ARROW	A, B	SCHLAGE	L
7170	1-1/4" x 4-7/8"	Flat	Square	US28 (628)	Hollow Metal or Wood	BEST	30H	VONDUPRIN	7500
						BALDWIN	6000	YALE	4600, 8600, 8700
						CORBIN	ML2200,	<i>(All 3/4" throw latches require 1/16" or more door gap)</i>	
						RUSSWIN	ML2200HS	<i>For non-fire related applications only.</i>	
						FALCON	T, X, M	<i>¹Variations in latches supplied with cylindrical locks can occur, causing variations in strike required.</i>	
						MONARCH	XX-M		
						PDQ	ST		
						PRECISION	1300		
						SARGENT	7700, 7800, 8100, 8200, 8300, 8900, 9900		

Adams Rite Electric Strikes Used When Converting From M.S.[®] Locks

ADAMS RITE MODEL	SIZE	FACEPLATE SHAPE	CORNERS	STANDARD FINISHES*	JAMB TYPE	NOTES:
7130	1-1/4" x 6-7/8"	Flat	Round	US28 (628), 313	Aluminum	For jambs previously prepared for M.S. [®] lock strike.
7131	1-1/4" x 6-7/8"	Radius	Round	US28 (628), 313	Aluminum Stile	For door stile previously prepared for M.S. [®] lock strike.

Adams Rite Electric Strikes Used With Rim Exit Devices (71R1 & 71R2)

ADAMS RITE MODEL	SIZE	FINISH	JAMB TYPE
71R1	1-3/4" x 9" x 3/4" Deep	130 to match 628 121 to match 313 119 to match 335	Aluminum
71R2	1-1/2" x 9" x 1/2" Deep	130 to match 628 121 to match 313 119 to match 335	Aluminum

* Special finishes are available.

ADAMS RITE MANUFACTURING COMPANY

Electric Strikes

7100 Flat Faceplate for Aluminum Jamb 7101 Radiused Faceplate for Aluminum Stiles

ANSI/BHMA Type EO9321 for Adams Rite or Cylindrical Latches

Function

Remote electrical control of any door equipped with an Adams Rite Series 4500 or 4700 (or similar) deadlatch or "key-in-knob" sets. Electrical actuation unlocks strike jaw, releasing latchbolt so door can be opened without operating latch itself. Extremely compact mechanism fits into aluminum jamb (or opposing door) sections as shallow as 1-21/32". Fits prep for 7500, 7800 and 7000 Series.

Fail Safe/Fail Secure

Field convertible from one mode to the other. However, AC intermittent solenoid must not be used continuously in either.

Faceplate

Measures 1-1/4" x 4-7/8". 7100 has flat faceplate; 7101 is radiused to match nose on inactive leaf in a pair of narrow stile glass doors.

Case

Approx. 1" x 3-3/8" x 1-5/8" deep.
Zinc-aluminum alloy.

Strike Opening

5/8" x 1-7/16" x 1/2" deep. Bolt retainer jaw is stainless steel. Strike accepts bolt of any Adams Rite 4500 or 4700 Series deadlatch or cylindrical latches. See 7160 and 7170 strikes for use with other make mortise latches.

Strike Lip

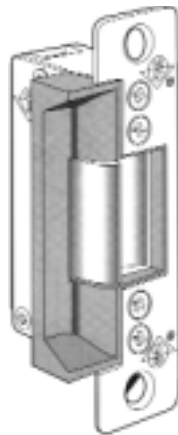
Basic 7100 strike has lip of proper length for 1-3/4" thick door that closes flush with jamb edge. Where door thickness or jamb shape differs from this standard relationship, extended lip available, specified by last dash number. (Not available on 7101).

Standard Finishes

313, 628

Optional Finishes

605, 612, 613, 625, 626, 335



71R1 Mounts in Aluminum, Wood or Hollow Steel Jamb

ANSI/BHMA Type EO9321 for Pullman Bolt Rim Exit Devices

Function

A semi-mortised strike for Rim exit devices having Pullman Type bolts without auxiliary bolts. Provides electrical remote control allowing door to open without actuation of the exit device. Designed to make "loiding" or "case-knife" entry extremely difficult.

Fail Safe/Fail Secure

Field convertible from one mode to the other. However, AC intermittent solenoid must not be used continuously in either.

Faceplate

Measures 1-3/4"W x 9"L x 3/4"D. Made of Zinc-aluminum alloy.

Case

Approx. 1" x 3-3/8" x 7/8" deep.
Made of Zinc-aluminum alloy.

Strike Opening

5/8" x 1-7/16" x 9/16" deep. Bolt retainer jaw is made of brass. Strike accepts Pullman bolt of exit devices without deadlocking bolts.

Finishes

Finish	To Match
130	Alum. 628
121	Bronze
313	
119	Black 335

Compatibility

Arrow: S1250, S3800, S4800

Corbin/Russwin: ED4200, ED6200, ED8200, ED9200

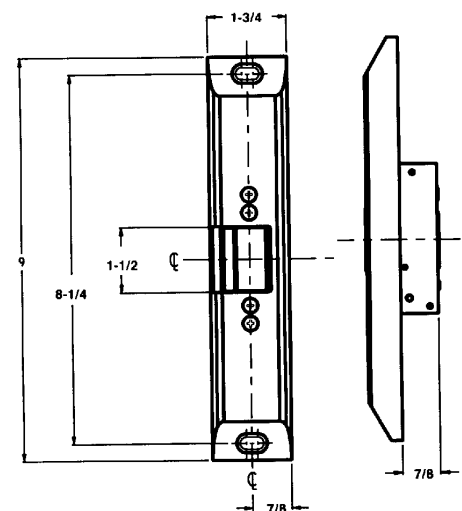
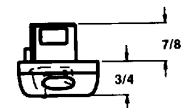
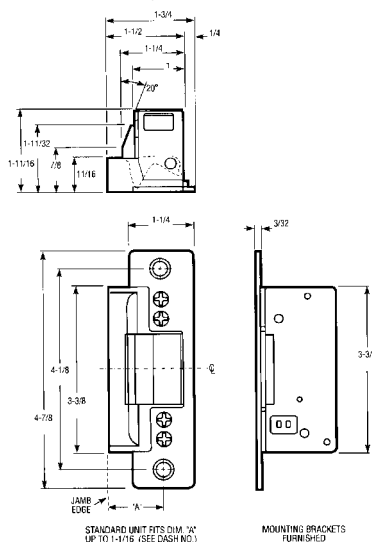
Monarch: XX-R

Precision: 1100 Series, 100, 0810

Sargent: 2828, 8500, 8800, 8888, 9800, 9898 Series



Inches
Nominal subject to tolerance extremes



71R2

Mounts in Aluminum, Wood or Hollow Steel Jambs

ANSI/BHMA Type EO9322 for narrow stile rim exit devices with 1/2" bolt. Mounts in aluminum jambs.

Function

A semi-mortised strike for Rim exit devices having Pullman Type bolts without auxiliary bolts.

Fail Safe/Fail Secure

Field convertible from one mode to the other. However, AC intermittent solenoid must not be used continuously in either.

Faceplate

Measures 1-1/2"W x 9"L x 1/2"D. Made of Zinc-aluminum alloy.

Case

Approx. 1" x 3-3/8" x 1-1/8" deep. Made of Zinc-aluminum alloy.

Strike Opening

5/8" x 1-7/16" x 1/2" deep. Bolt retainer jaw is made of brass.

Finishes

Finish	To Match
130	Alum. 628
121	Bronze 313
119	Black 335

Compatibility

Arrow: S1250, S3800, S4800

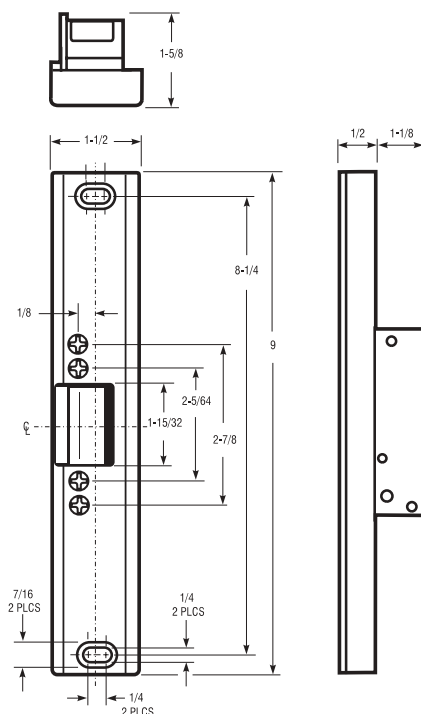
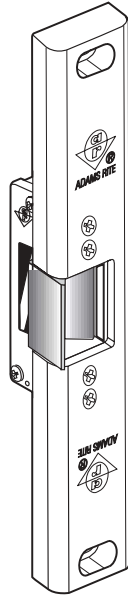
Corbin/Ruswin: ED4200, ED6200, ED8200, ED9200

Jackson: 1095, 2095

Monarch: XX-R

Precision: 1100 Series, 100, 0810

Sargent: 2828, 8500, 8800, 8888, 9800, 9898 Series



7108 Radiused Corners for Aluminum Jambs 7128 Square Corners for Wood or Hollow Steel

ANSI/BHMA Type EO9321 for Adams Rite 8300 or 8400 Mortise Exit Devices

Function

Remote electrical control of any narrow stile or hollow metal door equipped with an Adams Rite Series 8300 or 8400 exit device. Electrical actuation unlocks strike jaw, releasing latchbolt so door can be opened without operating latch itself. Extremely compact mechanism fits into jamb sections as shallow as 1-21/32".

Fail Safe/Fail Secure

Field convertible from one mode to the other. However, AC intermittent solenoid must not be used continuously in either.

Faceplate

Measures 1-1/4" x 4-7/8". 7108 has radiused corners; 7128 has square corners.

Case

Approx. 1" x 3-3/8" x 1-11/16" deep. Zinc-aluminum alloy.

Strike Opening

5/8" x 1-7/16" x 9/16" deep. Bolt retainer jaw is stainless steel.

Strike Lip

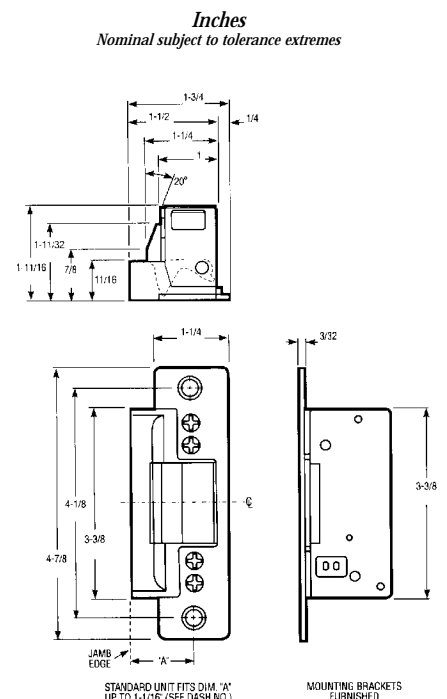
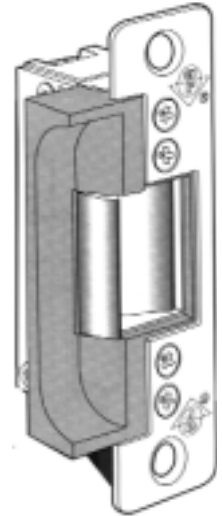
Basic strike has lip of proper length for 1-3/4" thick door that closes flush with jamb edge. Where door thickness or jamb shape differs from this standard relationship, extended lip available, specified by last dash number.

Standard Finishes

313, 628

Optional Finishes

605, 612, 613, 625, 626, 335



ADAMS RITE MANUFACTURING COMPANY

Electric Strikes

7110 7-5/16" Faceplate 7111 10- 1/4" Faceplate

ANSI/BHMA Type EO9321 for Adams Rite or Cylindrical Latches Mounted in Wood or Hollow Steel Jambs. 7111 replaces old 7810LC.

Function

Replaces earlier 002, 7510 or 7810 electric releases in either metal or wooden jambs for remote electrical control of any door equipped with cylindrical latchset or Adams Rite Series 4500 or 4700 (or similar) deadlatch. Electrical actuation unlocks strike jaw, releasing latchbolt so door can be opened without operating latch itself. Extremely compact mechanism fits into jamb sections as shallow as 1-21/32".

Fail Safe/Fail Secure

Field convertible from one mode to the other. However; AC intermittent solenoid must not be used continuously in either.

Faceplate

Faceplate for 7110 measures 1-7/16" x 7-15/16". For 7111, faceplate is 1-7/16" x 10-1/4".

Case

Approx. 1" x 3-3/8" x 1-5/8" deep. Zinc-aluminum alloy.

Strike Opening

5/8" x 1-7/16" x 1/2" deep. Bolt retainer jaw is stainless steel. Strike accepts bolt of any Adams Rite 4500/4700 Series deadlatch. See 7160 and 7170 strikes for use with other make mortise latches.

Strike Lip

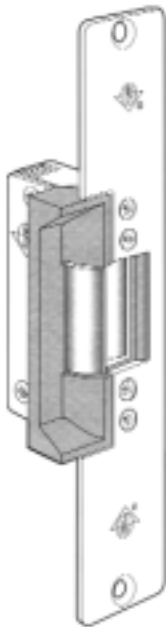
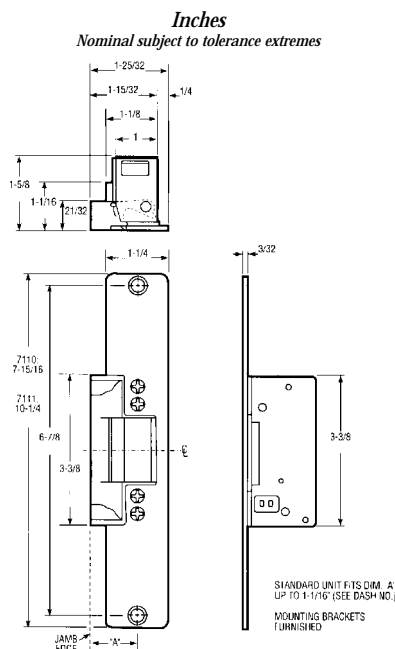
Basic 7110 strike has lip of proper length for 1-3/4" thick door that closes flush with jamb edge. Where door thickness or jamb shape differs from this standard relationship, extended lip available, specified by last dash number.

Standard Finishes

640, 652

Optional Finishes

605, 612, 613, 625, 626, 335



7130 Flat Faceplate for Aluminum Jambs 7131 Radiused Faceplate for Aluminum Stiles

ANSI/BHMA Type EO9321 for Adams Rite or Cylindrical Latches

Function

Remote electrical control of any narrow stile or hollow metal door equipped with an Adams Rite Series 4500 or 4700 (or similar) deadlatch. Large faceplate is designed to cover strike opening when converting from an M.S. pivoted-bolt deadlock to a deadlatch. Electrical actuation unlocks strike jaw, releasing latchbolt so door can be opened without operating latch itself. Extremely compact mechanism fits into aluminum jamb (or opposing door) sections as shallow as 1-21/32". Fit preps for 7530/7830 Series.

Fail Safe/Fail Secure

Field convertible from one mode to the other. However; AC intermittent solenoid must not be used continuously in either.

Faceplate

Measures 1-1/4" x 6-7/8". 7130 has flat faceplate; 7131 is radiused to match nose on inactive leaf in a pair of narrow stile glass doors.

Case

Approx. 1" x 3-3/8" x 1-5/8" deep. Zinc-aluminum alloy.

Strike Opening

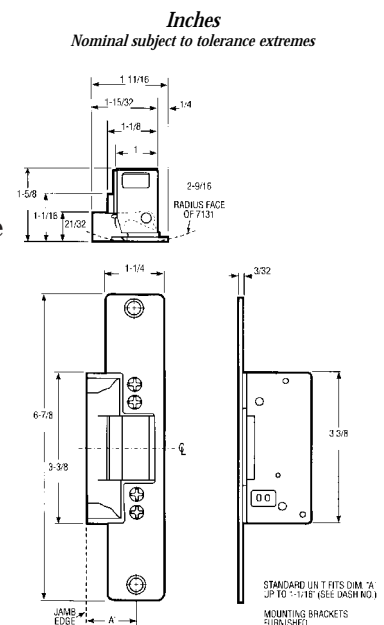
5/8" x 1-7/16" x 1/2" deep. Bolt retainer jaw is stainless steel. Strike accepts bolt of any Adams Rite 4500 or 4700 Series deadlatch. See 7160 and 7170 strikes for use with other make mortise latches.

Strike Lip

Basic 7130 strike has lip of proper length for 1-3/4" thick door that closes flush with jamb edge. Where door thickness/jamb shape differs from this standard relationship, extended lip available, specified by last dash number. (Not available for 7131.)

Finishes

628, 313, 335



7140 for Wood or Hollow Steel Jamb and Doors

ANSI/BHMA Type EO9321 for Key-in-Knob or Adams Rite Latches

Function

Remote electrical control of any door equipped with cylindrical (key-in-knob/lever) type latchsets. Electrical actuation unlocks strike jaw, releasing latchbolt, so door can be opened without operating latch itself. Extremely compact mechanism fits into jamb sections as shallow as 1-21/32". Fits existing preps for 7840AN and 7850/7040.

Fail Safe/Fail Secure

Field convertible from one mode to the other. However, AC intermittent solenoid must not be used continuously in either.

Faceplate

Measures 1-1/4" x 4-7/8". Faceplate is flat, with square corners.

Case

Approx. 1"x 3-3/8"x 1-5/8" deep. Made of Zinc-aluminum alloy.

Strike Opening

5/8" x 1-7/16" x 9/16" deep. Bolt retainer jaw is made of stainless steel. Strike accepts bolt of a variety of latchsets.

Strike Lip

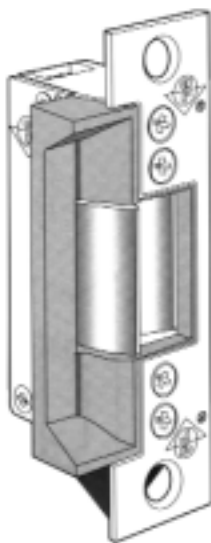
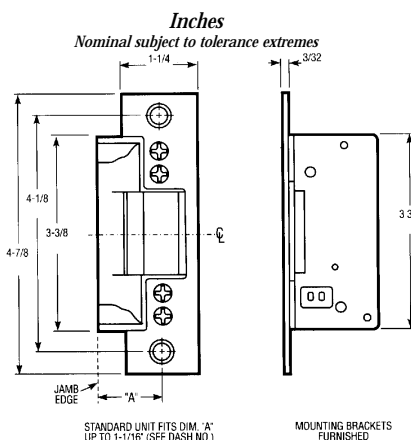
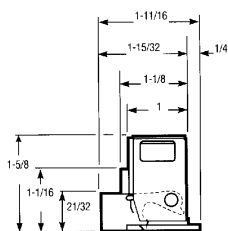
Basic 7140 strikes have lip of proper length for 1-3/4" thick door that closes flush with jamb edge. Where door thickness or jamb shape differs from this standard relationship, extended lip is available, specified by last dash number.

Standard Finishes

628, 313

Optional Finishes

605, 625, 626, 612, 613, 335



7160 for Aluminum Jamb

ANSI/BHMA Type EO9321 for Mortise Latches by others

Function

Remote electrical control of any door equipped with a mortise type latchset. Electrical actuation unlocks strike jaw, releasing latchbolt, so door can be opened without operating latch itself. Extremely compact mechanism fits into jamb sections as shallow as 1-7/8". Fits existing preps for 7560/7860.

Fail Safe/Fail Secure

Field convertible from one mode to the other. However, AC intermittent solenoid must not be used continuously in either.

Faceplate

Measures 1-1/4" x 4-7/8". Faceplate is flat, with radiused corners.

Case

Approx. 1"x 3-3/8"x 1-7/8" deep. Made of Zinc-aluminum alloy.

Strike Opening

3/4" x 1-7/16" x 3/4" deep.

Bolt retainer jaw is made of stainless steel. Strike accepts bolt of a variety of latchsets.

Strike Lip

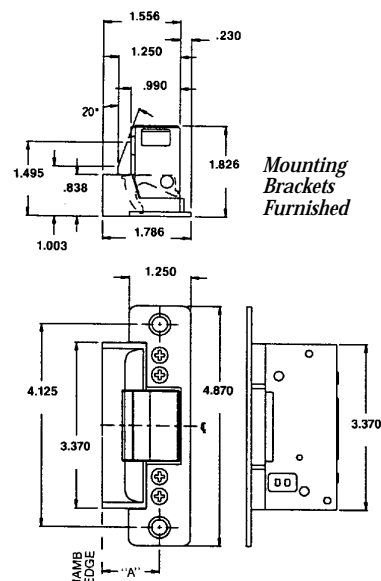
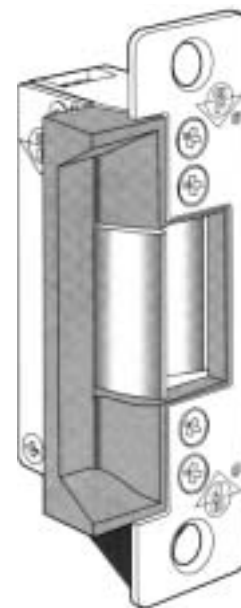
Basic 7160 strikes have lip of proper length for 1-3/4" thick door that closes flush with jamb edge. Where door thickness or jamb shape differs from this standard relationship, extended lip is available, specified by last dash number.

Standard Finishes

628, 313

Optional Finishes

605, 612, 613, 625, 626, 335



ADAMS RITE MANUFACTURING COMPANY

Electric Strikes

7170 Mounts in Wood or Hollow Steel Jamb

ANSI/BHMA Type EO9321 for Mortise Latches by others

Function

Remote electrical control of any door equipped with a mortise type latch-set. Electrical actuation unlocks strike jaw, releasing latchbolt, so door can be opened without operating latch itself. Extremely compact mechanism fits into jamb sections as shallow as 1-7/8". Fits existing preps for 7560AN/7860AN and 7570/7870.

Fail Safe/Fail Secure

Field convertible from one mode to the other. However, AC intermittent solenoid must not be used continuously in either.

Faceplate

Measures 1-1/4" x 4-7/8". Faceplate is flat, with square corners.

Case

Approx. 1"x 3-3/8"x 1-13/16" deep. Made of Zinc-aluminum alloy.

Strike Opening

3/4" x 1-7/16" x 3/4" deep. Bolt retainer jaw is made of stainless steel. Strike accepts bolt of a variety of latchsets when it is centered on strike.

Strike Lip

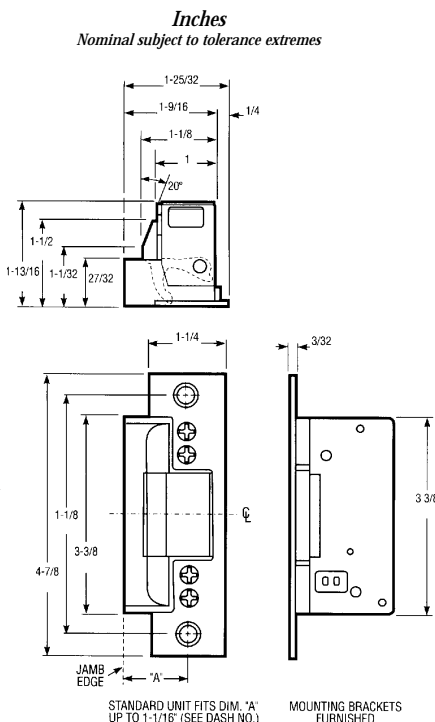
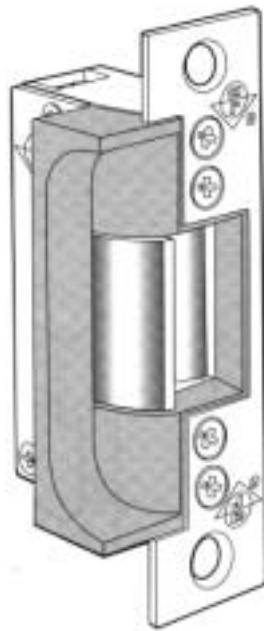
Basic 7170 strikes have lip of proper length for 1-3/4" thick door that closes flush with jamb edge. Where door thickness or jamb shape differs from this standard relationship, extended lip is available, specified by last dash number.

Standard Finishes

628, 313

Optional Finishes

605, 612, 613, 625, 626, 335



7300 Compact Strike

ANSI/BHMA Type EO9322 (grade 2) for cylindrical or Adams Rite latches. Mounts in aluminum jamb

Function

Remote electrical control of any door equipped with an Adams Rite Series 4500 or 4700 (or similar) deadlatch or "key-in-knob" set. Electrical actuation unlocks strike jaw, releasing latchbolt so door can be opened without operating the latch itself. Extremely compact mechanism fits into jamb sections as shallow as 1-1/16"

Fail Safe/Fail Secure

Shipped standard in fail-secure mode. Field convertible from one mode to the other.

Faceplate

Measures 1-1/4" x 4-7/8". Faceplate is flat, with radiused corners. Available in our three most popular architectural finishes.

Case

Approx. 1-1/8"x 3-3/8"x 1-1/16" deep. Made of zinc-aluminum alloy.

Strike Opening

5/8" x 1-3/8" x 1/2" deep. Bolt retainer jaw is stainless steel. Strike accepts bolt of any Adams Rite 4500 or 4700 Series deadlatch. See 7160 and 7170 strikes for use with other make Mortise latches.

Strike Lip

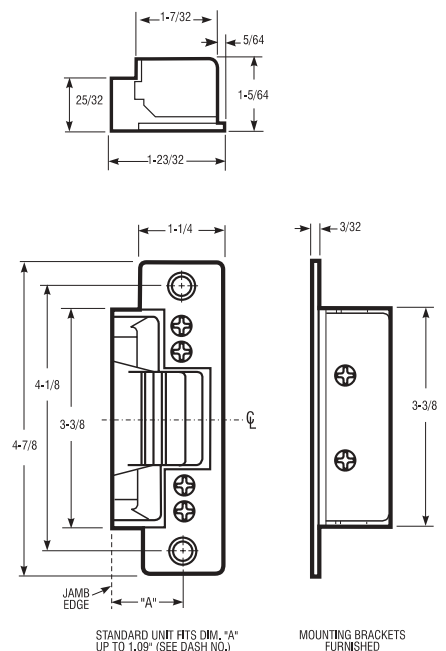
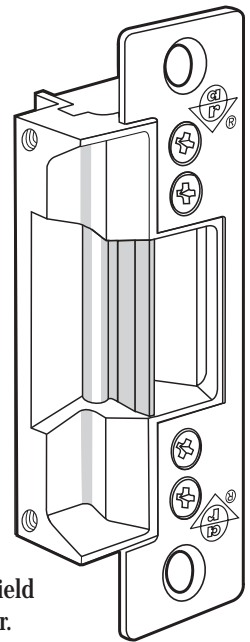
Basic strikes have lip of proper length for 1-3/4" thick door that closes flush with jamb edge. Where door thickness or jamb shape differs from this standard relationship, extended lip is available, specified by last dash number.

Standard Finishes

628, 313, 335

Voltage

Available in 12 or 24 volts DC only.



7310/7311 Compact Strike

ANSI/BHMA Type EO9321 (grade 1) for Adams Rite or cylindrical latches. Mounts in wood or hollow steel jambs.

Function

Remote electrical control of any door equipped with cylindrical latchset or Adams Rite series 4500 or 4700 (or similar) deadlatch. Electrical actuation unlocks strike jaw, releasing latchbolt, so door can be opened without operating latch itself. Extremely compact mechanism fits into jamb sections as shallow as 1-1/16".

Fail Safe/Fail Secure

Shipped standard in fail-secure mode. Field convertible from one mode to the other.

Faceplate

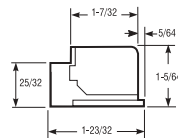
Faceplate for 7310 measures 1-7/16" x 7-15/16". For 7311, faceplate is 1-7/16" x 10-1/4". Available in a wide range of architectural finishes.

Case

Approx. 1-1/8" x 3-3/8" x 1-1/16" deep. Made of zinc-aluminum alloy.

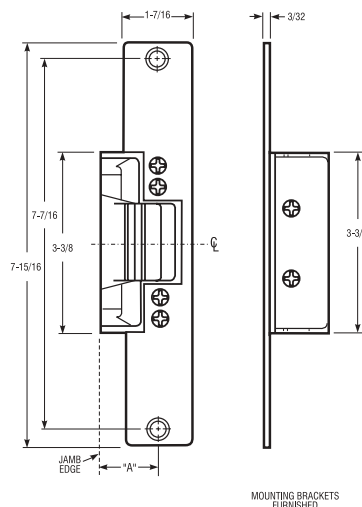
Strike Opening

5/8" x 1-3/8" x 1/2" deep. Bolt retainer jaw is stainless steel. Strike accepts bolt of any Adams Rite 4500/4700 Series deadlatch. See 7160 and 7170 strikes for use with other make mortise latches.



Strike Lip

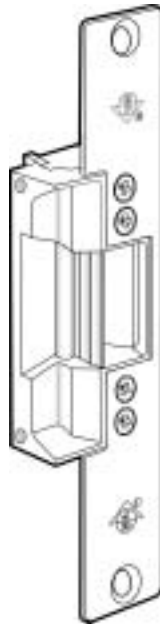
Basic strikes have lip of proper length for 1-3/4" thick door that closes flush with jamb edge. Where door thickness or jamb shape differs from this standard relationship, extended lip available, specified by last dash number.



Standard Finishes
652, 10B

Voltage

Available in 12 or 24 volts DC only.



7330 Compact Strike

ANSI/BHMA Type EO9322 (grade 2) for cylindrical or Adams Rite latches. Mounts in aluminum jamb

Function

Remote electrical control of any narrow stile or hollow metal door equipped with an Adams Rite series 4500 or 4700 (or similar) deadlatch. Large faceplate is designed to cover strike opening when converting from an M.S.[®] pivoted-bolt deadlock to a deadlatch. Electrical actuation unlocks strike jaw, releasing latchbolt so door can be opened without operating the latch itself. Extremely compact mechanism fits into jamb sections as shallow as 1-1/16".

Fail Safe/Fail Secure

Shipped standard in fail-secure mode. Field convertible from one mode to the other.

Faceplate

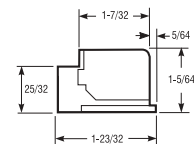
Measures 1-1/4" x 6-7/8". Faceplate is flat, with radiused corners. Available in our three most popular architectural finishes.

Case

Approx. 1-1/8" x 3-3/8" x 1-1/16" deep. Made of zinc-aluminum alloy.

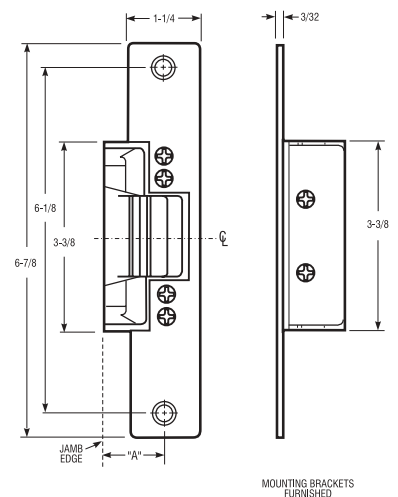
Strike Opening

5/8" x 1-3/8" x 1/2" deep. Bolt retainer jaw is stainless steel. Strike accepts bolt of any Adams Rite 4500 or 4700 Series deadlatch. See 7160 and 7170 strikes for use with other make mortise latches.



Strike Lip

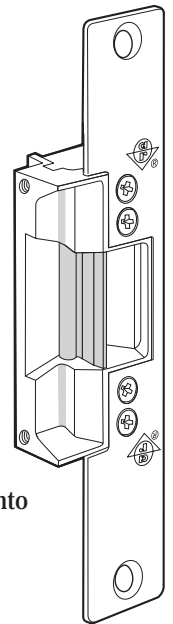
Basic strikes have lip of proper length for 1-3/4" thick door that closes flush with jamb edge. Where door thickness or jamb shape differs from this standard relationship, extended lip available, specified by last dash number.



Standard Finishes
628, 313, 335

Voltage

Available in 12 or 24 volts DC only.



ADAMS RITE MANUFACTURING COMPANY

Electric Strikes/Sliding Hardware

7340 Compact Strike

ANSI/BHMA Type EO9322 (grade 2) for cylindrical or Adams Rite latches. Mounts in wood or hollow steel jamb.

Function

Remote electrical control of any door equipped with an Adams Rite Series 4500 or 4700 (or similar) deadlatch or cylindrical "key-in-knob" set. Electrical actuation unlocks strike jaw, releasing latchbolt, so door can be opened without operating the latch itself. Extremely compact mechanism fits into jamb sections as shallow as 1-1/16".

Fail Safe/Fail Secure

Shipped standard in fail-secure mode. Field convertible from one mode to the other.

Voltage

Available in 12 or 24 volts DC only.

Faceplate

Measures 1-1/4" x 4-7/8". Faceplate is flat, with square corners. Available in our three most popular architectural finishes.

Case

Approx. 1-1/8" x 3-3/8" x 1-1/16" deep. Made of zinc-aluminum alloy.

Strike Opening

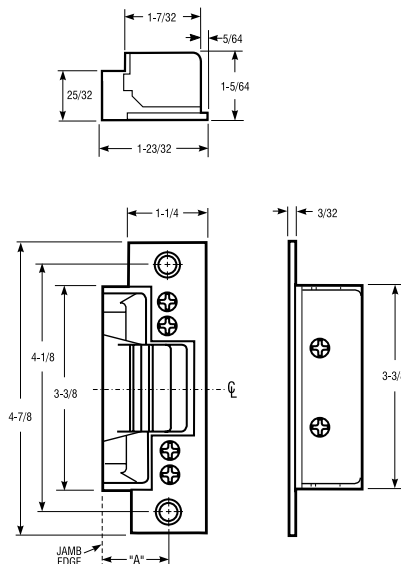
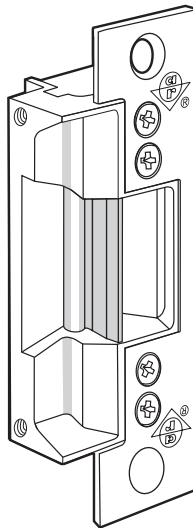
5/8" x 1-3/8" x 1/2" deep. Bolt retainer jaw is made of stainless steel.

Strike Lip

Basic strikes have lip of proper length for 1-3/4" thick door that closes flush with jamb edge. Where door thickness or jamb shape differs from this standard relationship, extended lip is available, specified by last dash number.

Standard Finishes

628, 313, 335



5017 Wood Door Deadlatch

For wood framed sliding doors the 5017 deadlock provides 1000 pound strength. A deeper backset clears the recessed jamb used with wood doors. Bolt throw is easily adjusted by means of a screw in faceplate. Mounting is by through-bolts which also secure the inside turn and outside cylinder, when installed. For Anderson Sliding doors specify the self-latching 5017-2.



5017 1015 Turn /1016

- Faceplate is 5/8" x 4-1/2" with radiused ends, stainless steel.
- Case is 1/2" x 4" x 1-19/32" deep, stainless steel. Bolt is laminated stainless steel.
- Backset is 1-3/16" (1-1/4" including faceplate).
- 1015 Turn—available with 1016 blank plate shown for doors from .625" to 2.25" thick. Without blank plate turn available for use with 4026 cylinder pull.
- Standard finish Ritecoat 130, satin silver enamel. Also available in a cost effective zinc-plated steel—specify 5015

Operation

45° rotation of turn or key throws or retracts bolt. Bolt is self-protecting: if door is slammed while bolt is extended, it will retract, preventing damage or accidental lockout.

2331 Deadlock

A heavy-duty deadlock for heavy duty metal or wood sliding doors, the 2331 throws a massive brass bolt into its strike, then expands two stainless steel dogs to secure the door. Operates with standard mortise cylinder (standard cam) or with mortise cylinder type thumb turn (ordered separately). There is no latch action.



- Faceplate is 1" x 5-3/4", flat brass. Case is zinc alloy.
- Backset is 1-3/4" only.
- Bolt is 1/2" x 1-1/2". Throw is 3/4" horizontally, with 11/32" expansion above and below main bolt. Brass/Stainless.
- Strike is 1/8" x 1" x 4-11/16" with 5/8" x 1-5/8" opening.

Operation

360° rotation of thumbturn or key extends and expands or retracts bolt. Key can not be removed unless the bolt is positively locked or totally retracted.

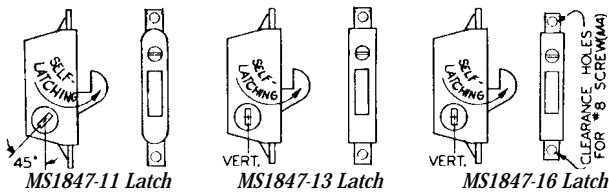
MS1847 Deadlock or Latch Series

A compact lock to fit within very narrow sliding door stiles without compromising in any way the high degree of security these doors need. The sturdy stainless steel bolt has two important features. It's adjustable: a full 3/16" lengthening or shortening of bolt projection is possible by turning an exposed screw in the face of the lock. This can compensate for a considerable misalignment between door and jamb. The MS1847 bolt is self-protecting. If the door is closed with the bolt in locked position, the bolt will immediately retract on contact with the jamb, thus preventing damage or accidental lockout. Latch version—the same stainless steel hookbolt but spring loaded is provided by the MS1847-11, MS1847-13 and MS1847-16. All dimensions and accessories are applicable for both locks and latches.



MS1847

MS1847-02



MS1847-11 Latch

MS1847-13 Latch

MS1847-16 Latch

- Rectangular or full radiused ends.
- Case is 1/2" x 3-3/16" x 1-1/8" deep stainless steel.
- Anti-lift bolt—3-ply laminated stainless steel withstands 1000 pounds force, vertical or horizontal. (Stops both door-from-jamb prybar attacks and attempts to lift door from track.)

Operation

Can be operated by a standard cylinder, so the glass door may be keyed-in with other types of doors. Three hub slot positions allow installation even where jamb and stile design provides severely limited turn clearance.

4024, 4025, 4026 Cylinder Pulls

4024 and 4025 Cylinder Pulls are designed for use with Adams Rite 1847 or 4035 deadlocks and latches. 4026 is designed for use with Adams Rite 5017 Sliding Wood Frame Deadlock. These surface mounted pulls allow a sliding glass door to be keyed in with other types of doors which have key-in-knob or mortise cylinder locks. 4025 has mounting holes spaced to allow clearance around 1847 lock mechanism for long thru-the-stile mounting screws. 4024 is smaller and symmetrical, for mounting on door pull or other trim plate. (Can be mounted directly on stile where lock mechanism is mounted on inside surface rather than mortised.)



- Zinc-alloy housing. Ritecoat 130 finish is standard. Other finishes optional. Cylinders are brass.
- A pair of 4025 cylinder pulls can be mounted opposite each other with long machine screws. Security is maintained since each side offers access to only one screwhead. Both screws would have to be removed to operate the lock without its key. Specify 4025 CYL x CYL set.
- Cylinder Make—pulls available with Adams Rite, Schlage or Weiser keyway cylinders. Cylinders can be modified for special keying if necessary for other makes.