

IN ORDER TO MEET UNDERWRITERS LABORATORIES REQUIREMENTS, THE FOLLOWING CONDITIONS MUST BE MET:

- 1). USE A UL LISTED CLASS 2 ENERGY LIMITING TRANSFORMER WITH A MINIMUM POWER OUTPUT OF 12 VA, SUCH AS ADAMS RITE 4605.
- 2). THE TRANSFORMER MUST BE MOUNTED EXTERNAL TO THE DOOR ON A NEARBY JUNCTION BOX IN ACCORDANCE WITH NATIONAL ELECTRICAL CODE.
- 3). THE WIRES MUST BE PROTECTED FROM ABRASION WHERE THEY PASS THROUGH THE HOLE IN THE HINGE RAIL. A RUBBER GROMMET IS SUFFICIENT. SEE ILLUSTRATION 1.

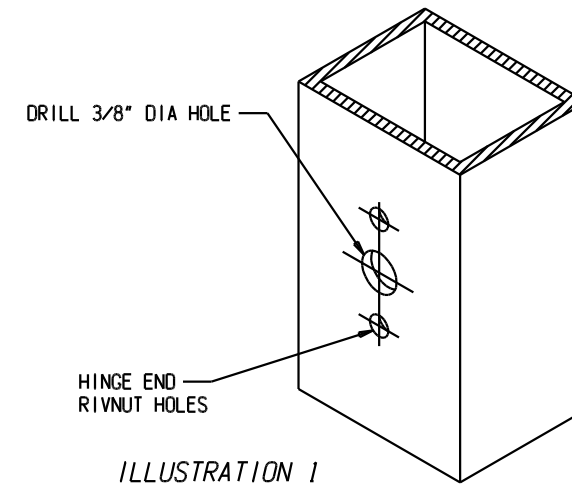
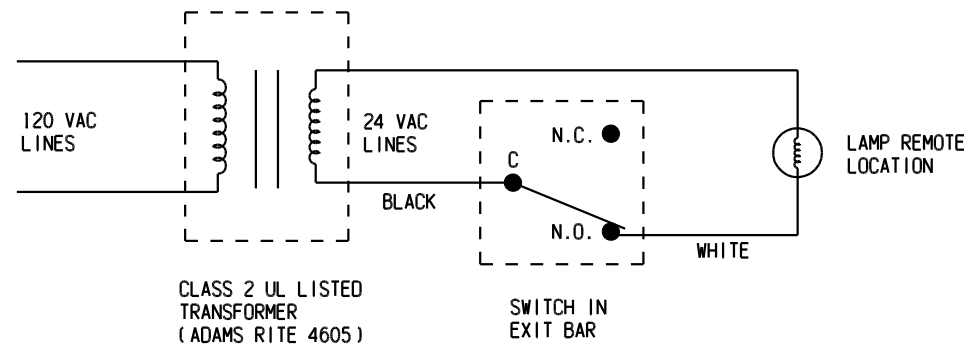


ILLUSTRATION 1

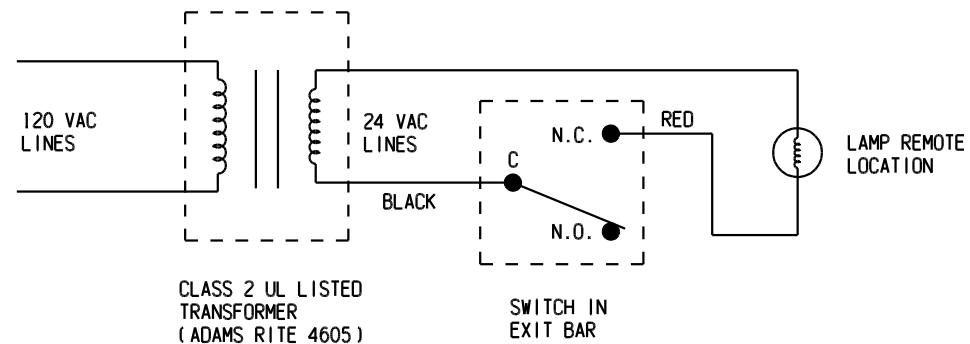
THREE SIMPLE ALTERNATIVES FOR HOOKING UP SWITCH IN MONITORING EXIT BAR

ALTERNATIVE 1



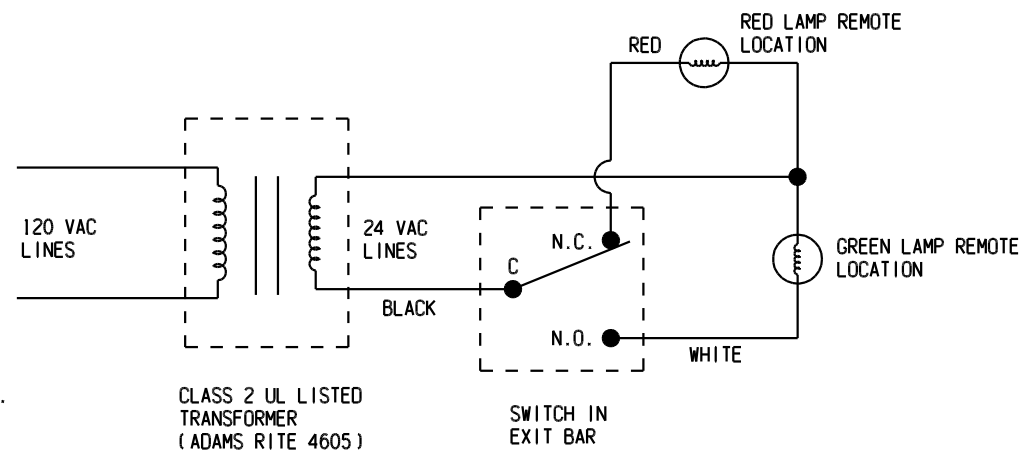
LAMP GOES ON WHEN BAR IS PUSHED DOWN.

ALTERNATIVE 2



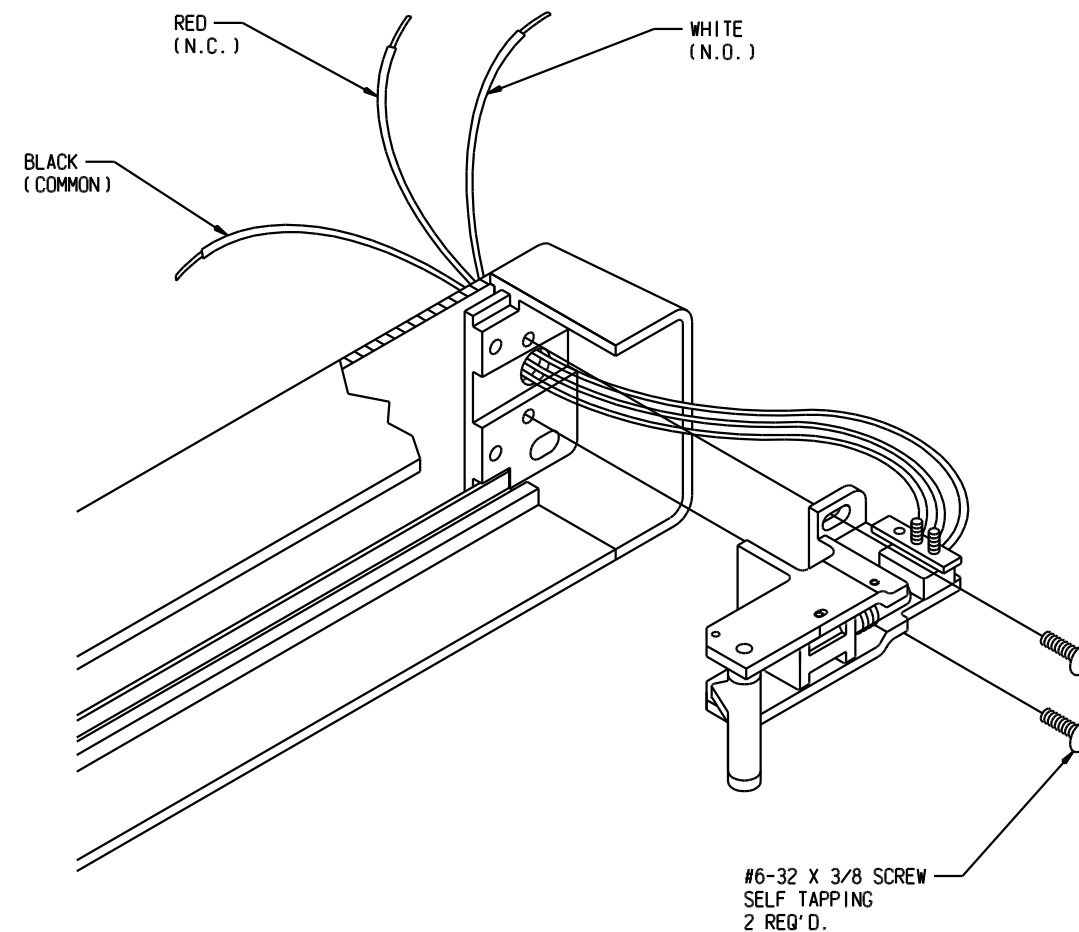
LAMP GOES OUT WHEN BAR IS PUSHED DOWN.

ALTERNATIVE 3



RED LAMP IS ON WHEN EXIT BAR IS IN STANDBY (NOT DOGGED DOWN), EXTENDED POSITION, GREEN LAMP OUT.  
GREEN LAMP IS ON WHEN EXIT BAR IS PUSHED DOWN, RED LAMP OUT.

MONITOR SWITCH ASS'Y INSTALLATION



PRODUCT MUST BE INSTALLED ACCORDING TO ALL APPLICABLE BUILDING AND LIFE SAFETY CODES



www.adamsrite.com  
Phone: 800-626-7590  
800-872-3267  
Fax: 866-582-4641  
800-232-7329

80-0180-178

Rev. B

MONITORING SWITCH INSTALLATION & WIRING INSTRUCTION

Ecn 11955A

Date: 06-28-12

Page 1 of 1

Appvd: MP

Date: 07-06-12