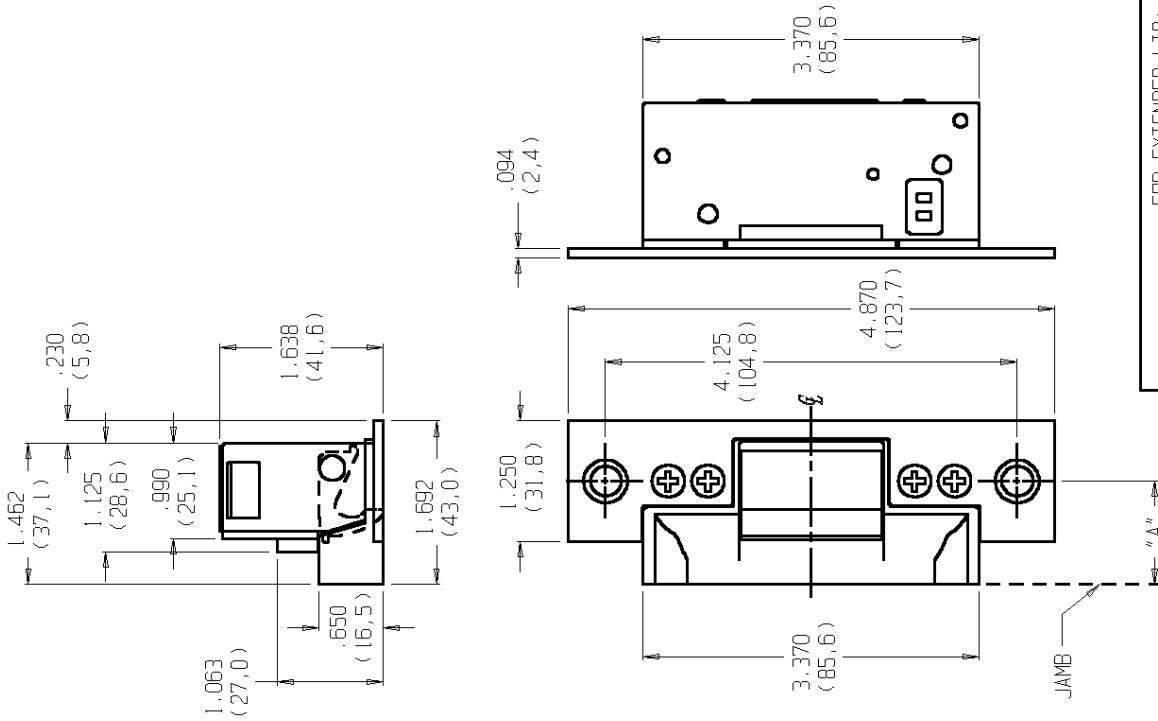


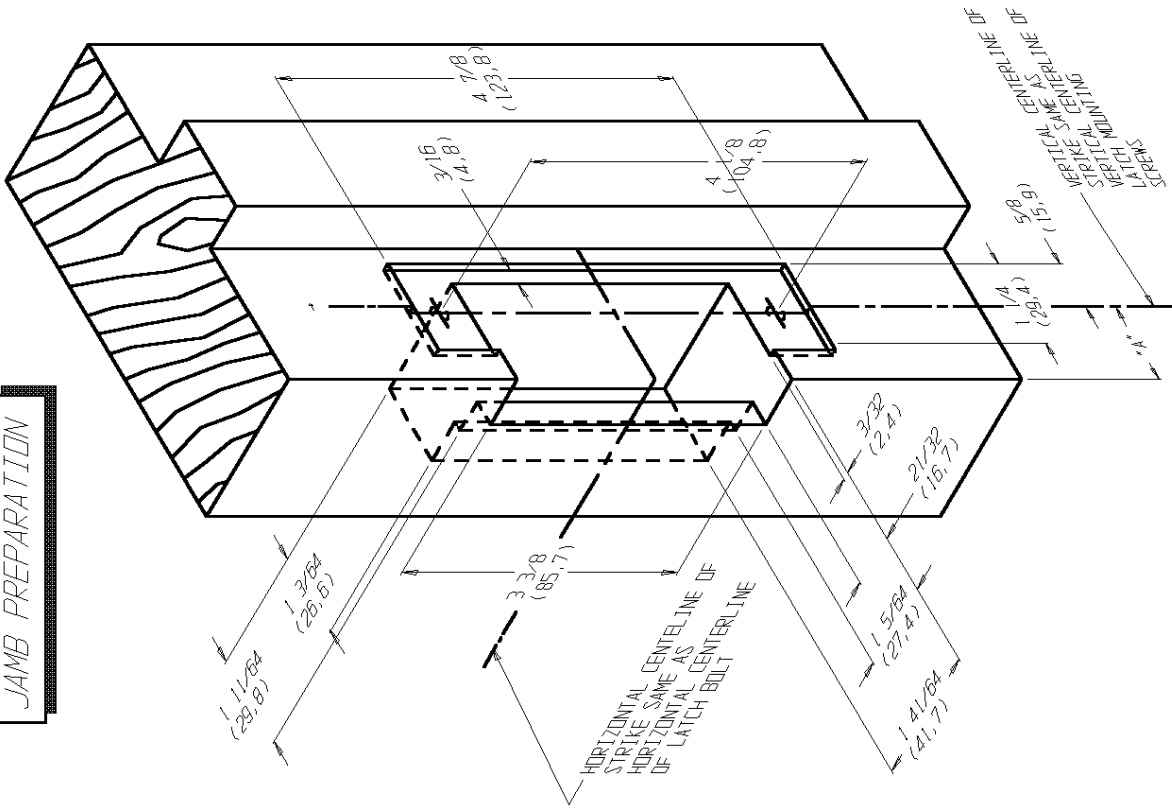
ELECTRIC STRIKE DIMENSIONS



ADAMS RITE MANUFACTURING COMPANY
POMONA, CA. 91767

7140 ELECTRIC STRIKE
FOR WOOD JAMB WITH
KEY-IN-KNOB LATCHES

JAMB PREPARATION



STANDARD UNIT FITS DIM. "A" UP TO 1 1/16" (SEE DASH NO.)

FOR EXTENDED LIP: (DIM "A" DOOR → TO JAMB EDGE)

DASH NO.	DIM "A"	DASH NO.	DIM "A"	DASH NO.	DIM "A"
NINE	1.06	-05	2.00	-10	2.63
-01	1.50	-06	2.13	-11	2.75
-02	1.63	-07	2.25	-12	2.88
-03	1.75	-08	2.38	-13	3.00
-04	1.88	-09	2.50		

NOTE: WHEN DOOR SILENCERS ARE USED ON FRAME, ADJUST STRIKE LOCATION TO ENSURE COMMON LATCH AND STRIKE CENTERLINES.

ECN NO: 9747

NOTE: SEE MASTER SHEET 10001 FOR SUGGESTED REINFORCEMENT

TEMPLATE NO.: 52120-1

DATE: 05-04-98