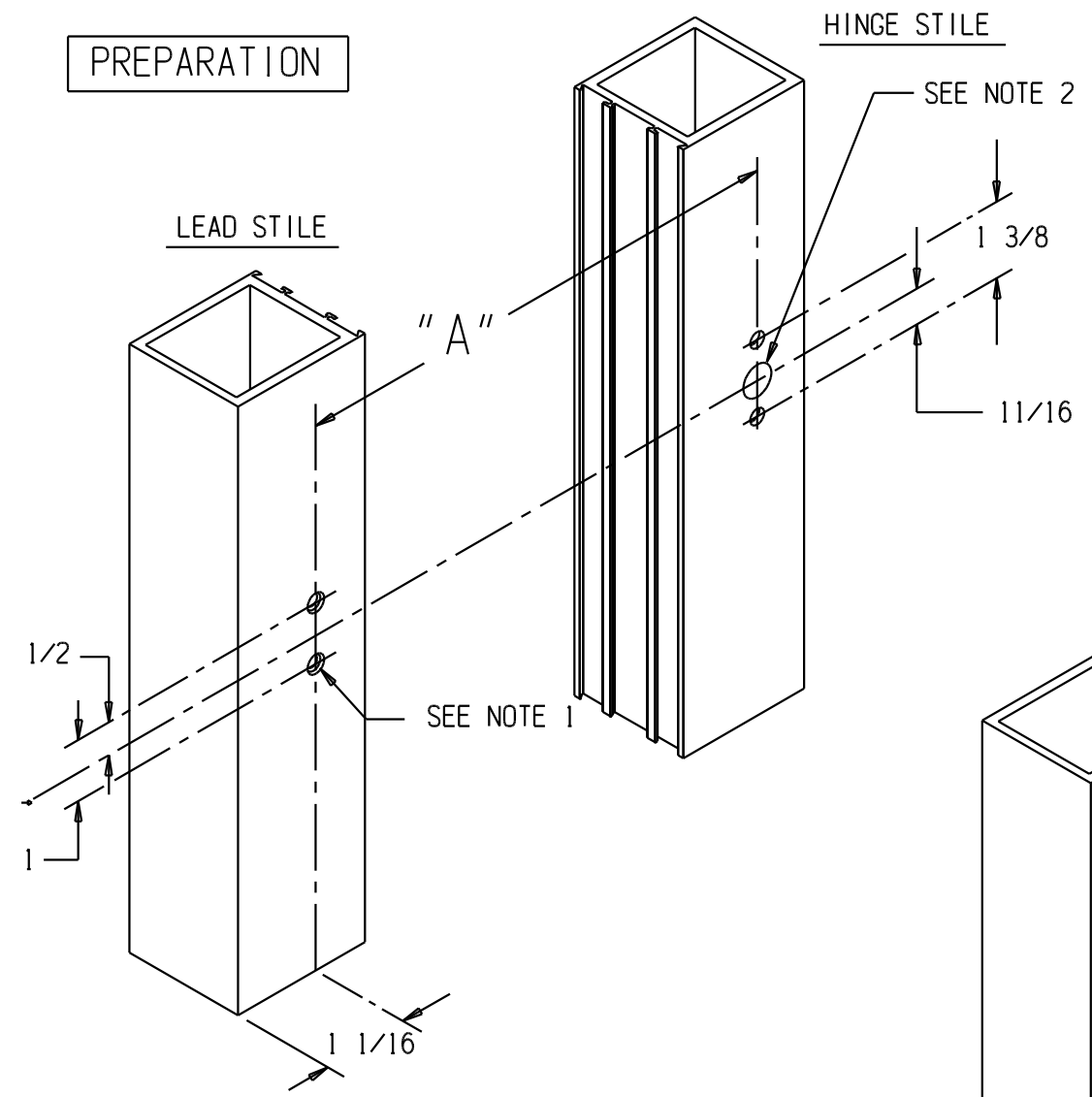


PREPARATION

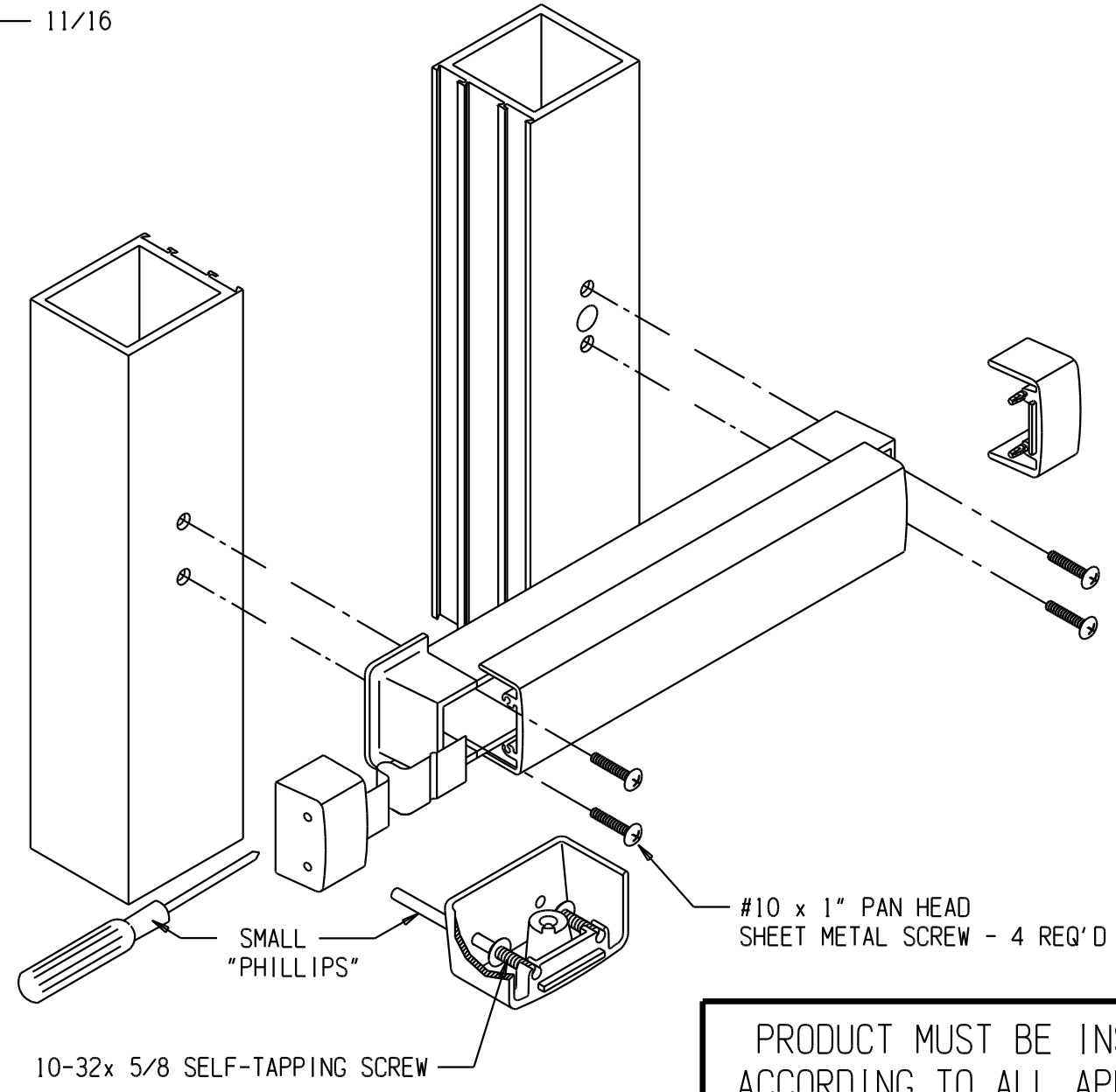


DOOR WIDTH	30" (762mm)	36" (914mm)	42" (1067mm)	48" (1219mm)
DIM "A"	27 1/4" (692mm)	33 1/4" (845mm)	39 1/4" (997mm)	45 1/4" (1149mm)

NOTE 2. DRILL  $\phi$  3/8 HOLE FOR WIRING ACCESS.  
 NOTE 1. DRILL  $\phi$  1/8" (3.17mm) PILOT HOLE FOR SHT. METAL SCREW (4 PL)  
 NOTE: THESE DIMENSIONS AND TEMPLATES ASSUME A DOOR THICKNESS OF 1 3/4". FOR DOORS OF OTHER THICKNESS, CONSULT FACTORY.

INSTALLATION

- DUMMY PUSHBAR MOUNTING INSTRUCTIONS:
1. DETERMINE DESIRED PUSHBAR CENTERLINE HEIGHT.
  2. USING THE PUSHBAR AS A TEMPLATE MARK & DRILL THE FOUR MOUNTING HOLES AS SHOWN.
  3. POSITION BAR OVER MOUNTING HOLES AND INSTALL THE FOUR #10 ROUND HEAD SCREWS.
  4. INSTALL END CAPS.



PRODUCT MUST BE INSTALLED ACCORDING TO ALL APPLICABLE BUILDING AND LIFE SAFETY CODES

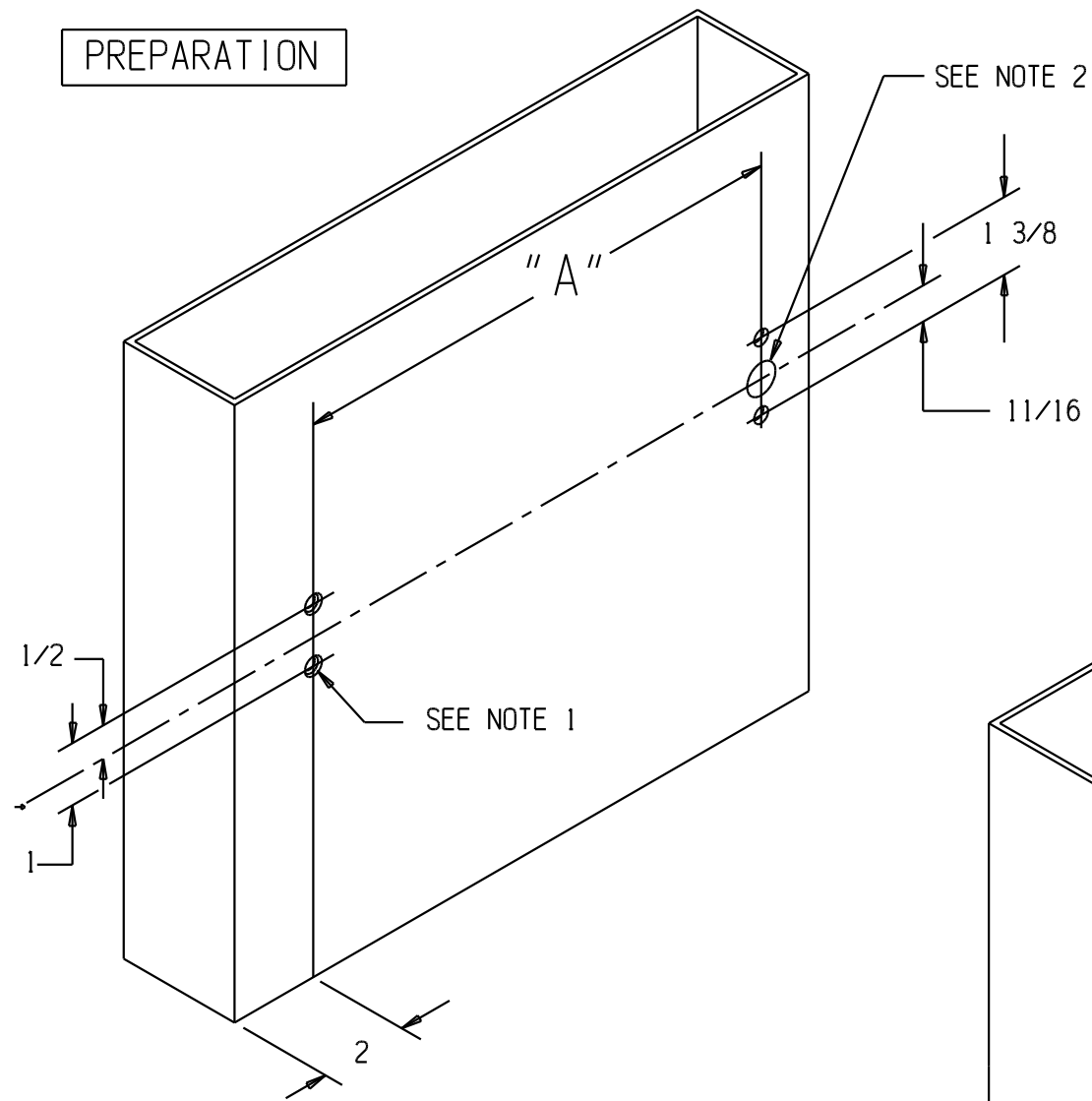


www.adamsrite.com  
 Phone: 800-626-7590  
 800-872-3267  
 Fax: 866-582-4641  
 800-232-7329

80-0180-250

8099M DUMMY PUSH BAR FOR ALUMINUM / GLASS DOOR

PREPARATION



DOOR WIDTH	30" (762mm)	36" (914mm)	42" (1067mm)	48" (1219mm)
DIM "A"	25 15/16" (659mm)	31 15/16" (811mm)	37 15/16" (964mm)	43 15/16" (1116mm)

NOTE 2. DRILL  $\phi$  3/8 HOLE FOR WIRING ACCESS.

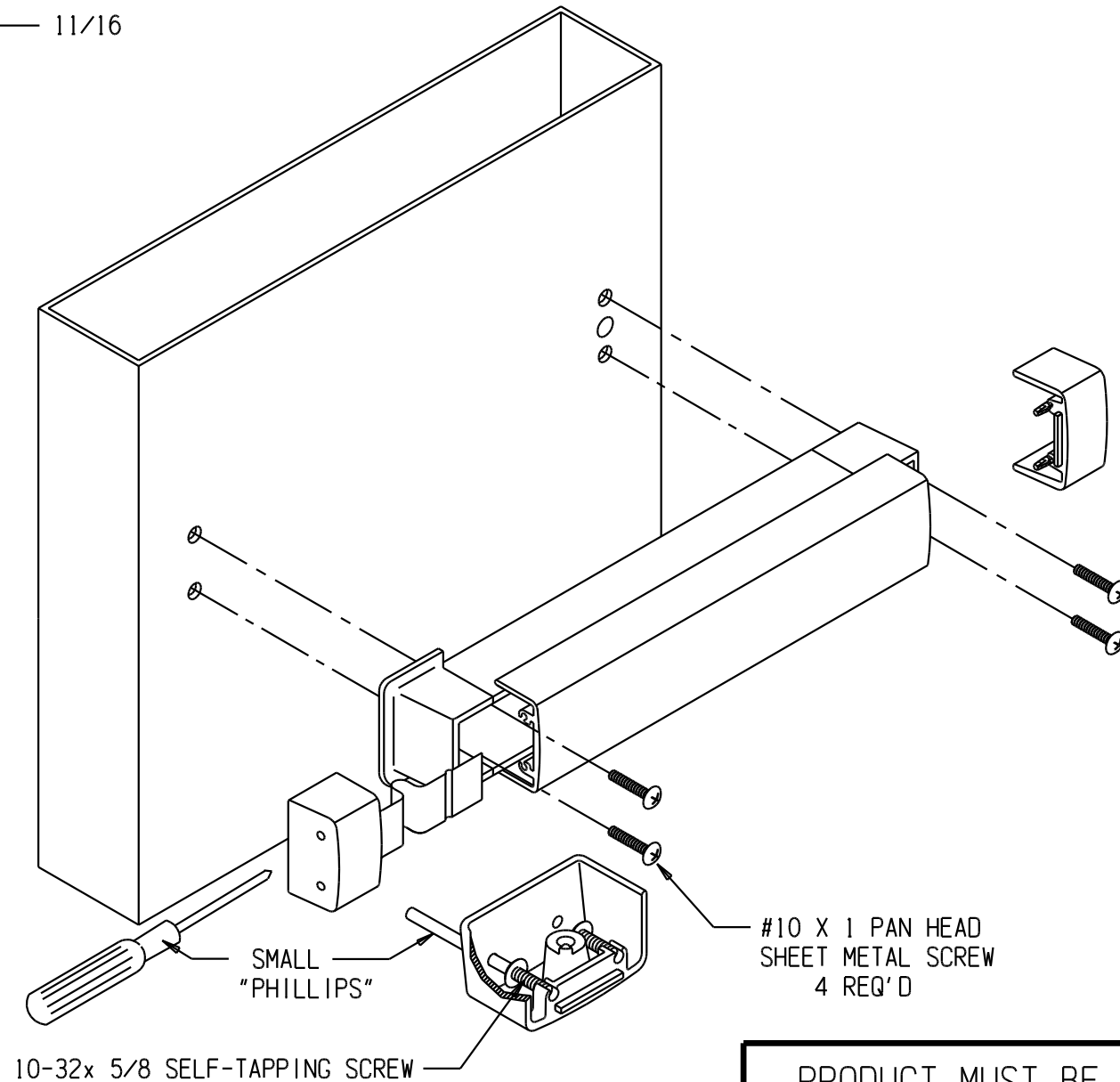
NOTE 1. DRILL  $\phi$  5/32" (3.97mm) PILOT HOLE FOR SHT. METAL SCREW (4 PL)

NOTE: THESE DIMENSIONS AND TEMPLATES ASSUME A DOOR THICKNESS OF 1 3/4". FOR DOORS OF OTHER THICKNESS, CONSULT FACTORY.

INSTALLATION

DUMMY PUSHBAR MOUNTING INSTRUCTIONS:

1. DETERMINE DESIRED PUSHBAR CENTERLINE HEIGHT.
2. USING THE PUSHBAR AS A TEMPLATE MARK & DRILL THE FOUR MOUNTING HOLES AS SHOWN.
3. POSITION BAR OVER MOUNTING HOLES AND INSTALL THE FOUR #10 ROUND HEAD SCREWS.
4. INSTALL END CAPS.



PRODUCT MUST BE INSTALLED  
ACCORDING TO ALL APPLICABLE  
BUILDING AND LIFE SAFETY CODES



www.adamsrite.com  
Phone: 800-626-7590  
800-872-3267  
Fax: 866-582-4641  
800-232-7329

80-0180-250

8099M DUMMY PUSH BAR FOR ALUMINUM / GLASS DOOR

Rev. F

Ecn 11955C

Date: 07-12-12

Page 2 of 2

Appvd: MP

Date: 07-19-12