

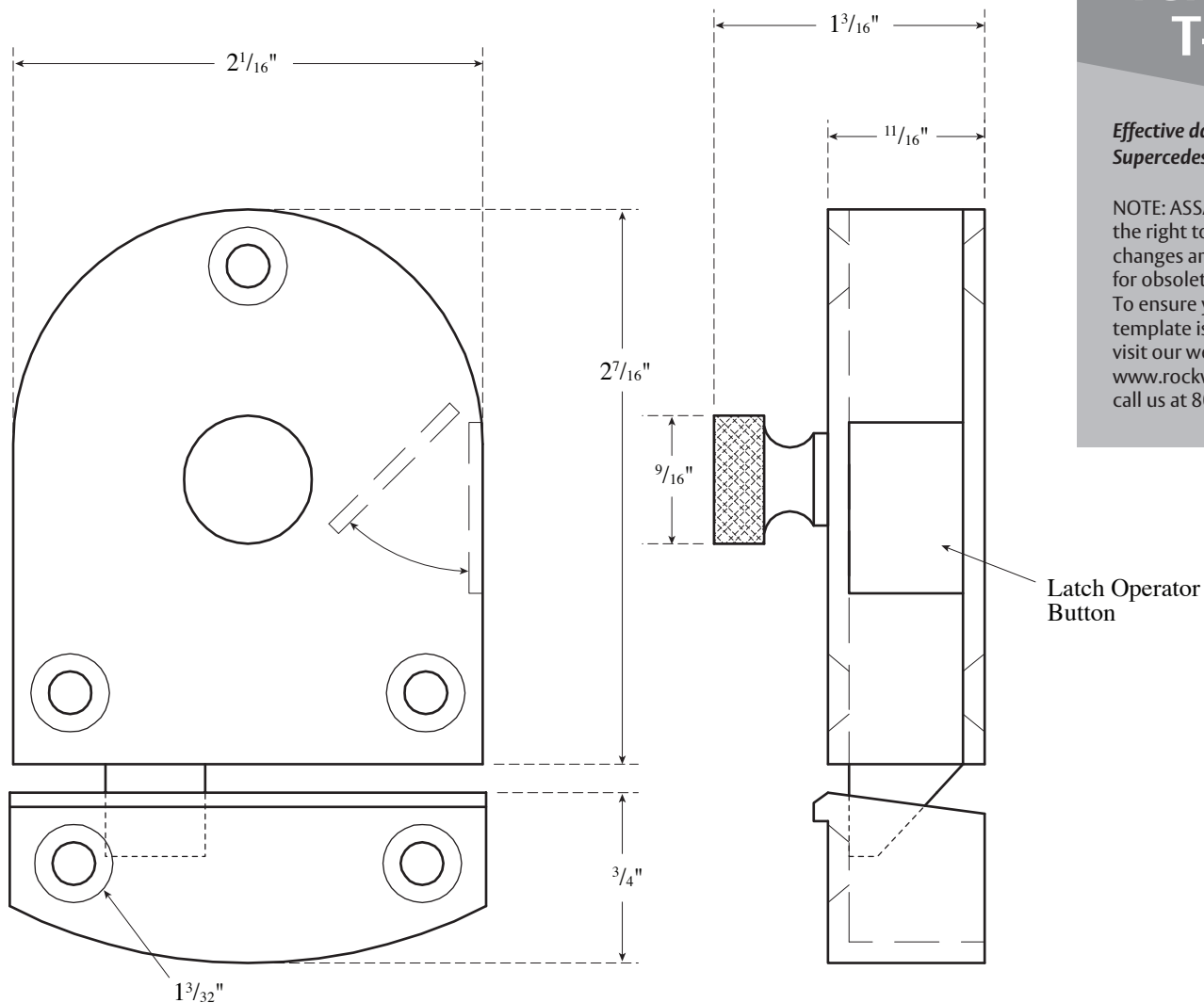
# Architectural Door Accessories

**ASSA ABLOY**

## Rockwood 602 Secret Gate Latch

The global leader in  
door opening solutions

NOT TO SCALE



### Template T-602

**Effective date:** January 1, 2017  
**Supersedes:** All Previous

NOTE: ASSA ABLOY reserves the right to make product changes and is not responsible for obsolete template errors. To ensure your template is current, please visit our website at [www.rockwoodmfg.com](http://www.rockwoodmfg.com) or call us at 800-458-2424

**MATERIAL:**  
Cast Brass

**FASTENERS NOTE:**  
5 ea. #7 x  $1\frac{1}{4}$ " Oval Head Wood Screws

Door handing can be changed by removing knob, turning over latch housing and inserting knob in other side.