

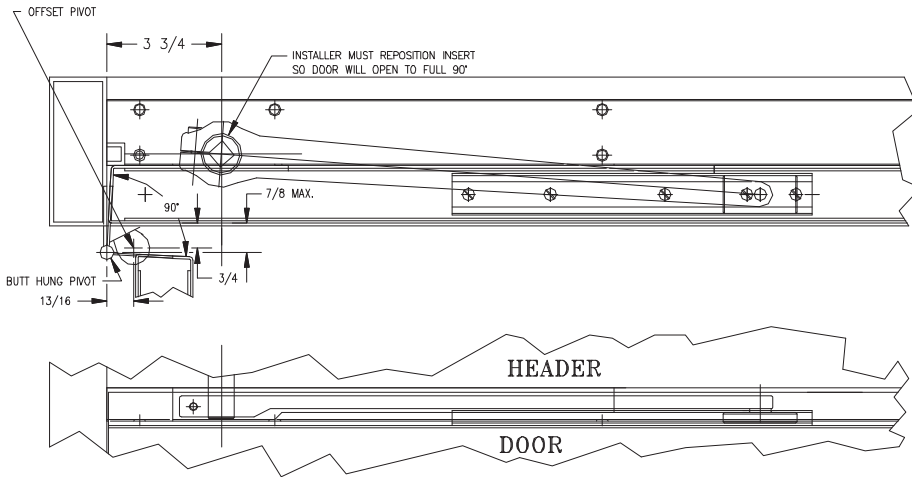


740013

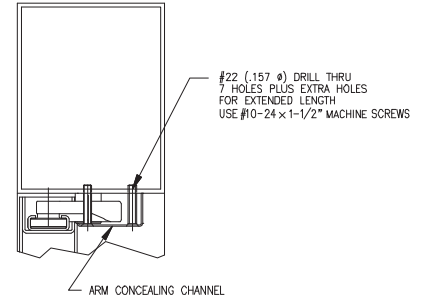
# Offset Pivot Arm

# LCN®

## Installation Instructions

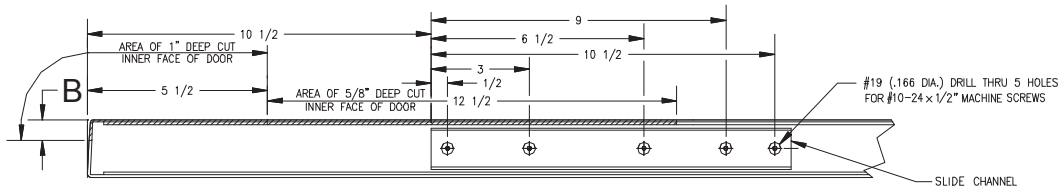


RIGHT HAND SHOWN  
LEFT HAND OPPOSITE

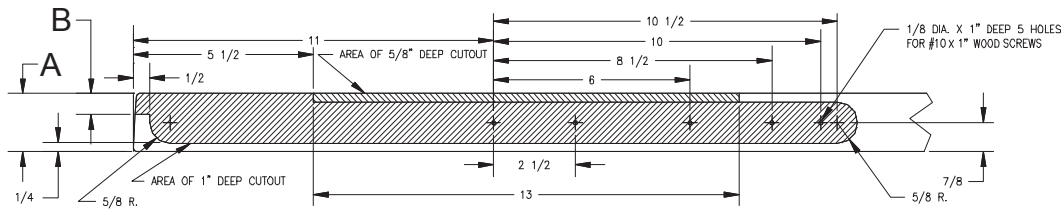


MUST USE  
3 3/4" CENTER  
HUNG OPERATOR

### METAL DOOR



### WOOD DOOR



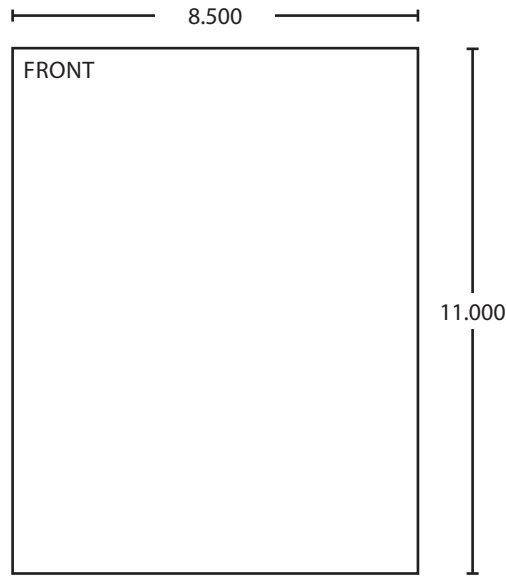
Door Thickness (A)	Measurement B
1 3/4"	5/8"
2"	7/8"
2 1/4"	1 1/8"
2 3/8"	1 1/4"
2 1/2"	1 3/8"

Customer Service

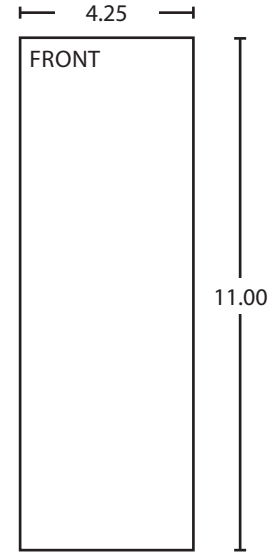
1-877-671-7011 [www.allegion.com/us](http://www.allegion.com/us)



© Allegion 2015  
Printed in U.S.A.  
740013 Rev. 04/15-d



BEGINNING SHEET



FOLDED SHEET

Additional Notes:
1. None

Revision History						Revision Description:					
A	B	C	D	E	F	D > Revised artwork					
N/A	N/A	047232	060910								
Material						Edited By		Approved By		EC Number	Release Date
White Paper						D. Myers		M. Sasso		060910	04-23-15
Notes						Title					
1. printed one side						INSTALLATION INSTRUCTIONS FOR OFFSET PIVOT ARM					
2. printed black						Creation Date		Number		Revision	
3. tolerance $\pm .13$						08-30-08		740013		D	
4. printed in country may vary						Created By		Activity		© Allegion 2015	
5. drawings not to scale						N/A		3899 Hancock Expwy Security, CO 80911			
						Software: InDesign CS6					