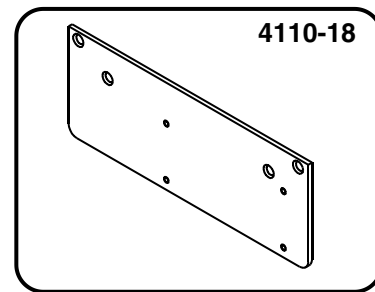
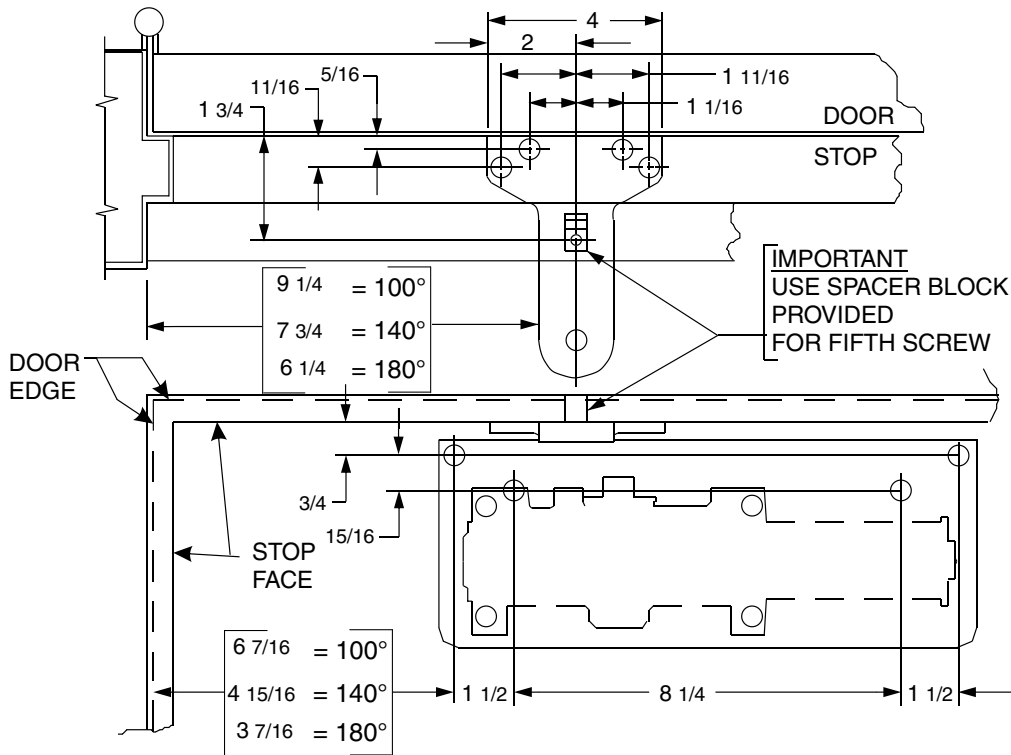


**4110 PUSH SIDE (DOOR MOUNT) DROP PLATE
PERMITS 180° MAXIMUM OPENING**

**PUSH SIDE MOUNT ON:
4110-18 DROP PLATE**

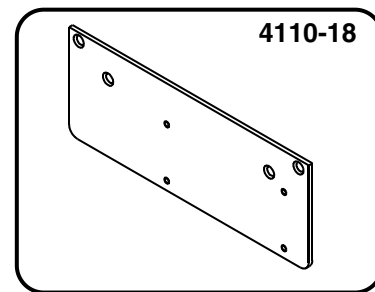
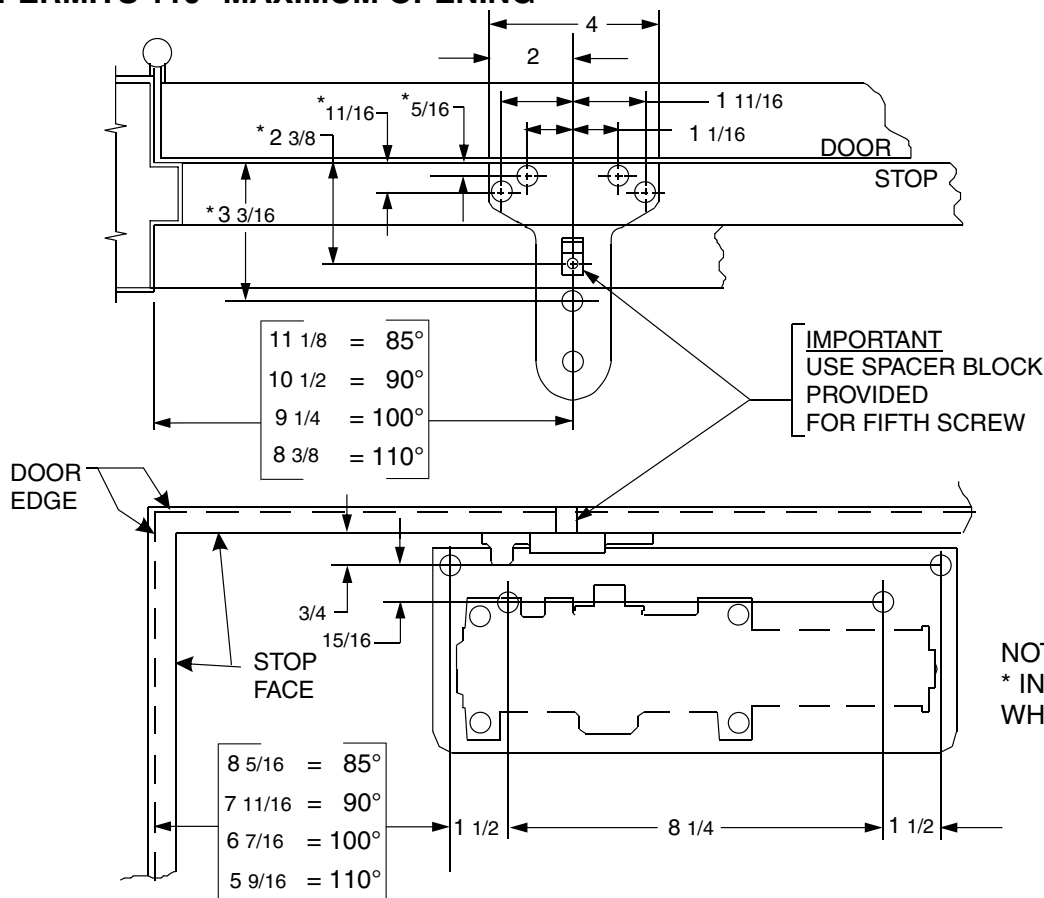


INCH	5/16	11/16	3/4	15/16	1 1/16	1 1/2	1 11/16	1 3/4	2
M.M.	8	17	19	24	27	38	43	44	51
INCH	2 3/8	3 3/16	3 7/16	4	4 15/16	6 1/16	6 1/4	6 7/16	6 15/16
M.M.	60	81	87	102	125	154	159	164	176
INCH	7 3/4	8 3/16	8 1/4	8 13/16	8 7/8	9 1/4	9 3/4	11	11 5/8
M.M.	197	208	210	224	225	235	248	279	295

LEFT HAND DOOR SHOWN,
RIGHT HAND DOOR OPPOSITE

**4110 CUSH PUSH SIDE (DOOR MOUNT) DROP PLATE
PERMITS 110° MAXIMUM OPENING**

**PUSH SIDE MOUNT ON:
4110-18 DROP PLATE**

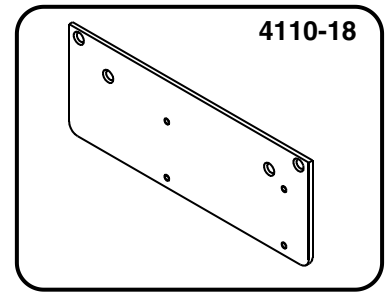
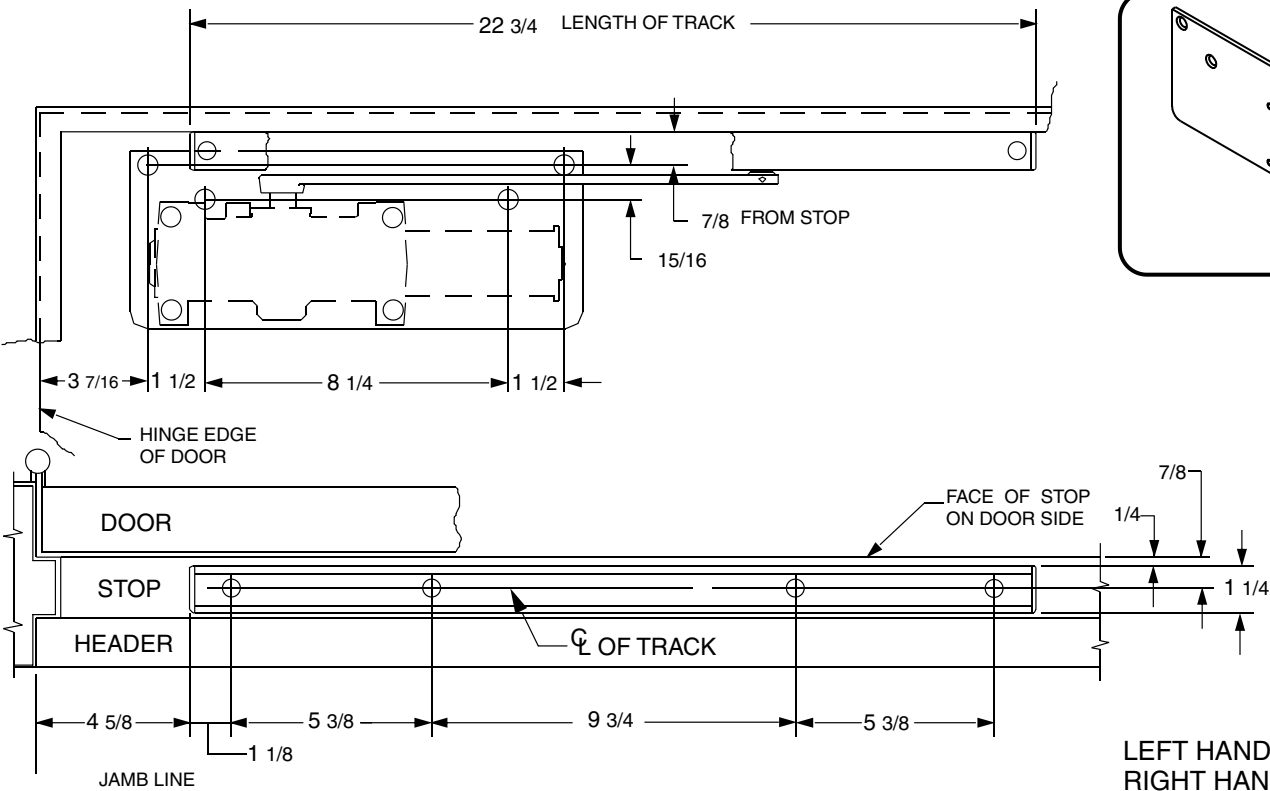


NOTE:
* INCREASE THESE DIMENSIONS 1/4"
WHEN SPRING CUSH OPTION IS USED.

LEFT HAND DOOR SHOWN,
RIGHT HAND DOOR OPPOSITE

**4110T PUSH SIDE (DOOR MOUNT) DROP PLATE
PERMITS 110° MAXIMUM OPENING**

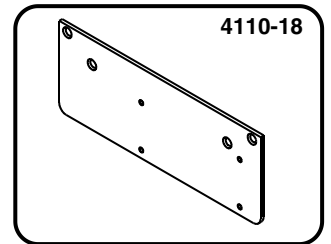
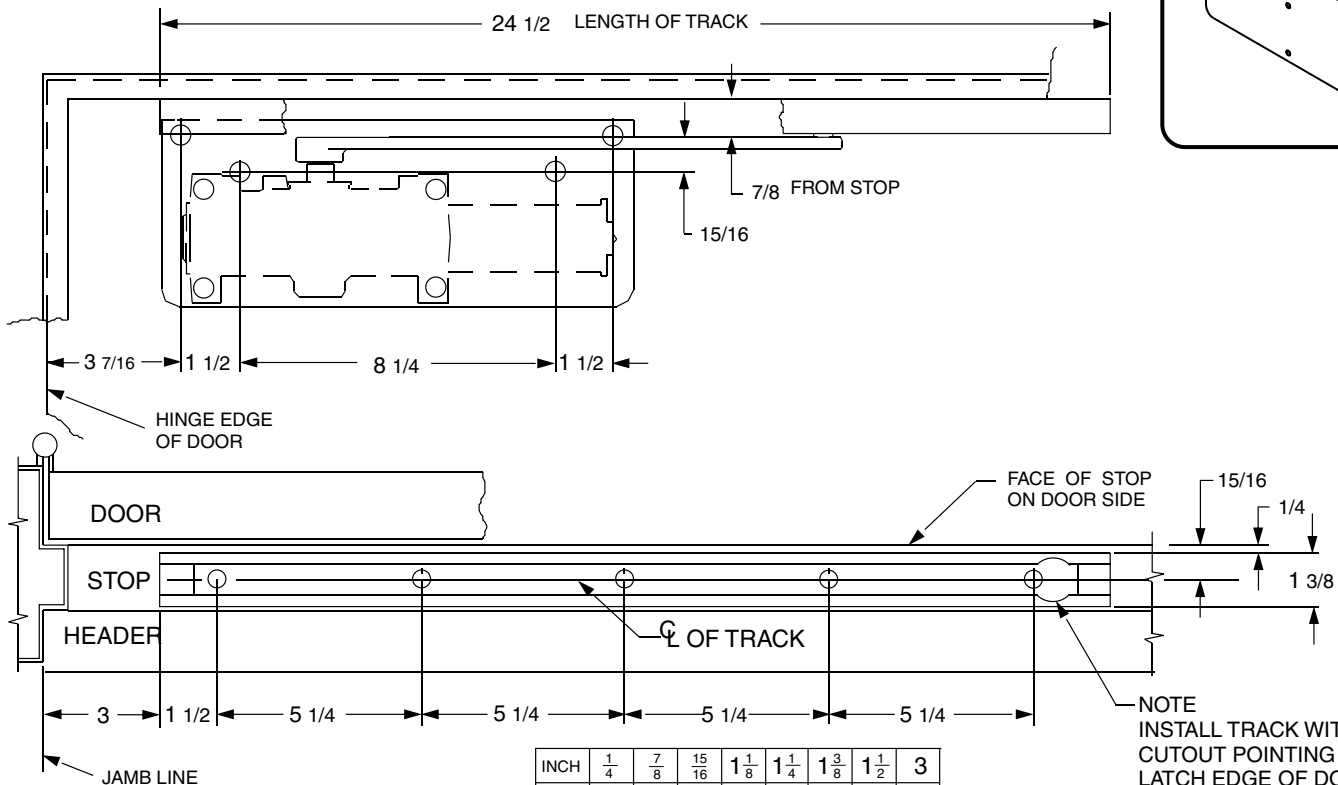
**PUSH SIDE MOUNT ON:
4110-18 DROP PLATE**



LEFT HAND DOOR SHOWN,
RIGHT HAND DOOR OPPOSITE

**4210T PUSH SIDE (DOOR MOUNT) DROP PLATE
PERMITS 110° MAXIMUM OPENING**

**PUSH SIDE MOUNT ON:
4110-18 DROP PLATE**



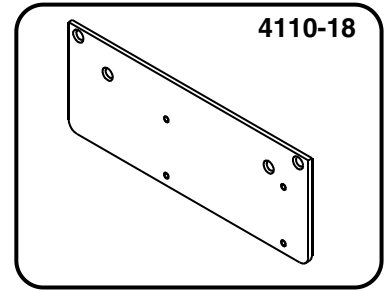
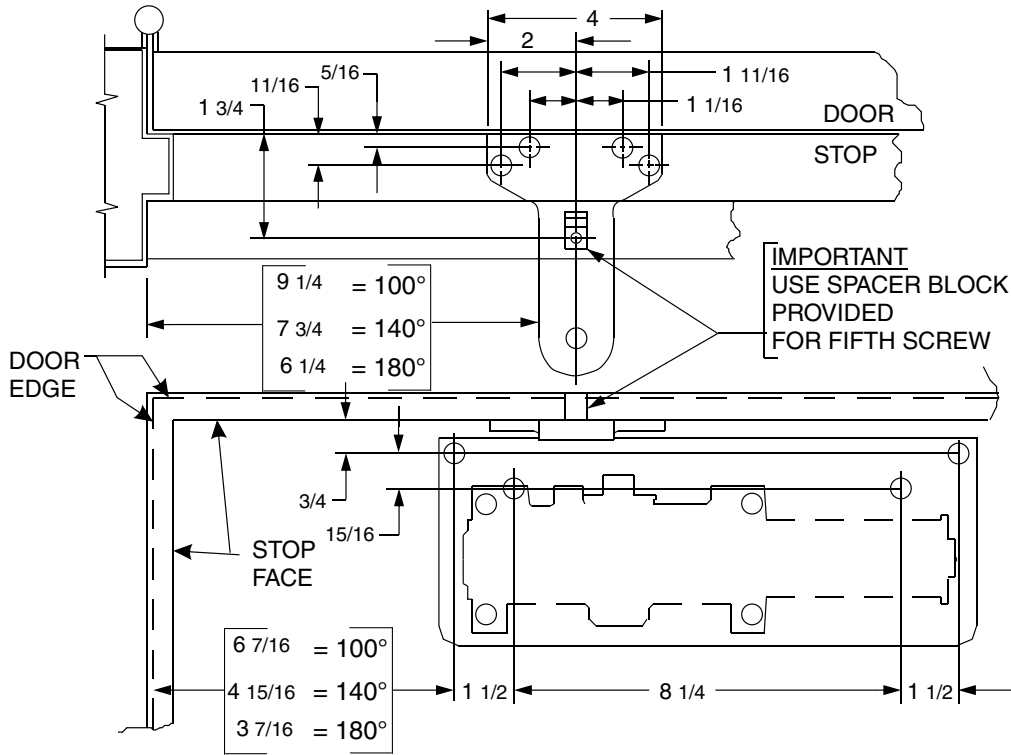
NOTE
INSTALL TRACK WITH CIRCULAR
CUTOUT POINTING TOWARD
LATCH EDGE OF DOOR.

INCH	1/4	7/8	15/16	1 1/8	1 1/4	1 3/8	1 1/2	3
M.M.	13	22	24	38	38	38	38	49
INCH	3 7/16	4 5/8	5 1/4	5 3/8	8 1/4	9 3/4	21 3/4	22 3/4
M.M.	64	105	113	119	164	189	553	578

LEFT HAND DOOR SHOWN,
RIGHT HAND DOOR OPPOSITE

**4210 PUSH SIDE (DOOR MOUNT) DROP PLATE
PERMITS 180° MAXIMUM OPENING**

**PUSH SIDE MOUNT ON:
4110-18 DROP PLATE**

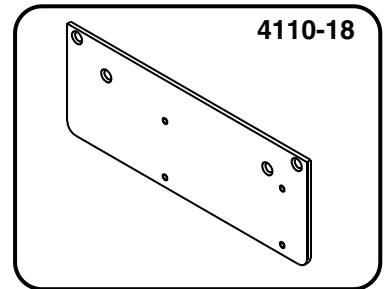
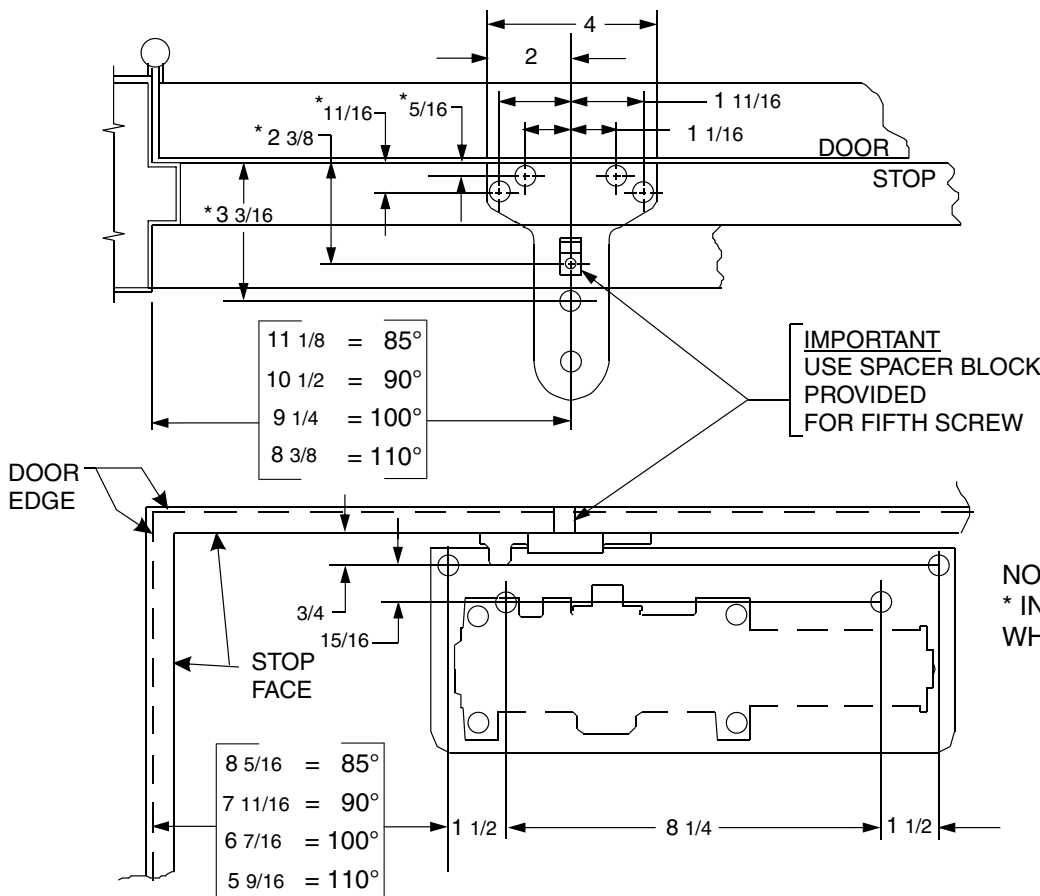


INCH	5/16	11/16	3/4	15/16	1 1/16	1 1/2	1 11/16	1 3/4	2
M.M.	8	17	19	24	27	38	43	44	51
INCH	2 3/8	3 3/16	3 7/16	4	4 15/16	6 1/16	6 1/4	6 7/16	6 15/16
M.M.	60	81	87	102	125	154	159	164	176
INCH	7 3/4	8 3/16	8 1/4	8 13/16	8 7/8	9 1/4	9 3/4	11 11/8	11 5/8
M.M.	197	208	210	224	225	235	248	279	295

LEFT HAND DOOR SHOWN,
RIGHT HAND DOOR OPPOSITE

**4210 CUSH PUSH SIDE (DOOR MOUNT) DROP PLATE
PERMITS 110° MAXIMUM OPENING**

**PUSH SIDE MOUNT ON:
4110-18 DROP PLATE**



NOTE:
* INCREASE THESE DIMENSIONS 1/4"
WHEN SPRING CUSH OPTION IS USED.