



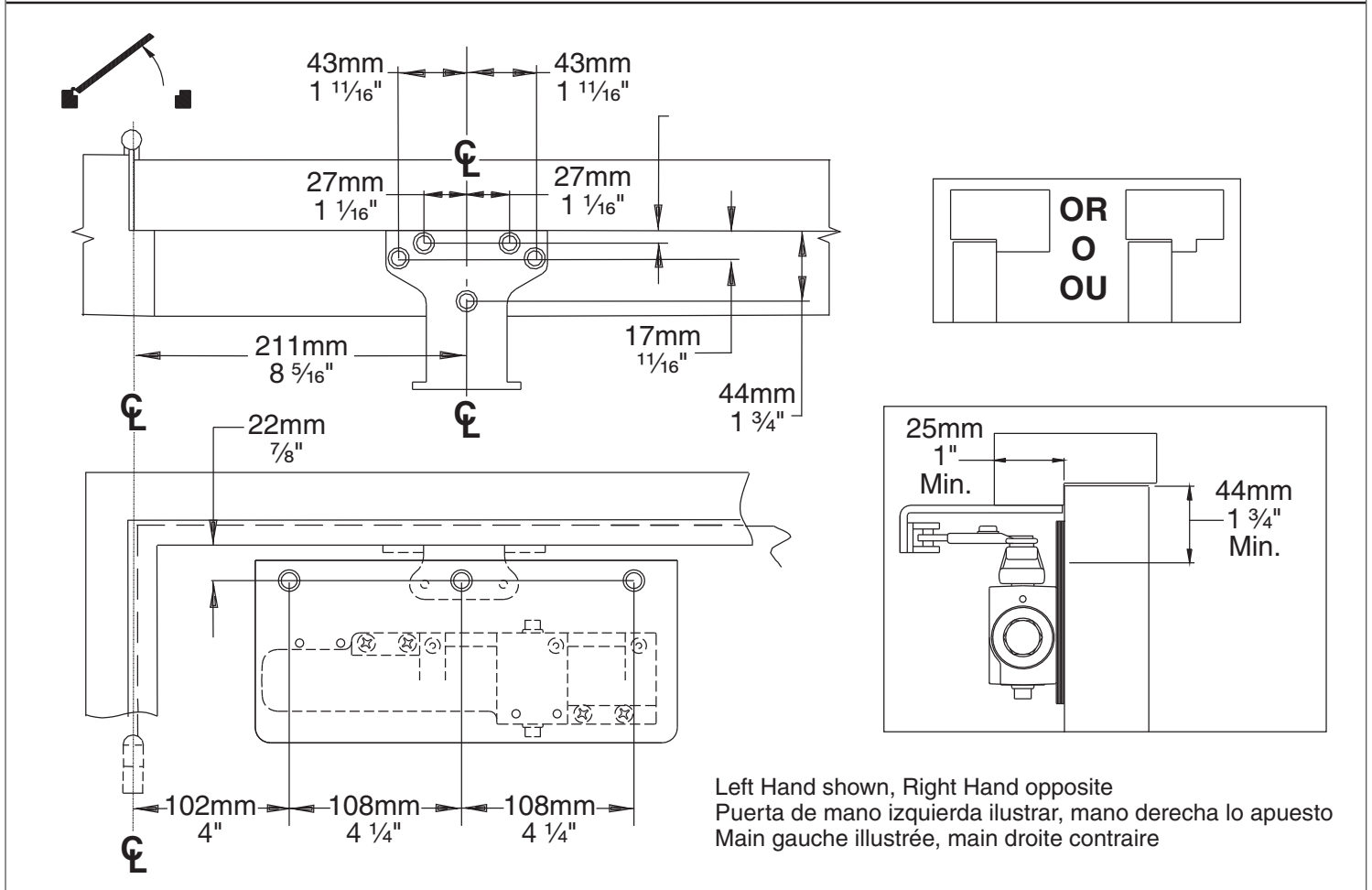
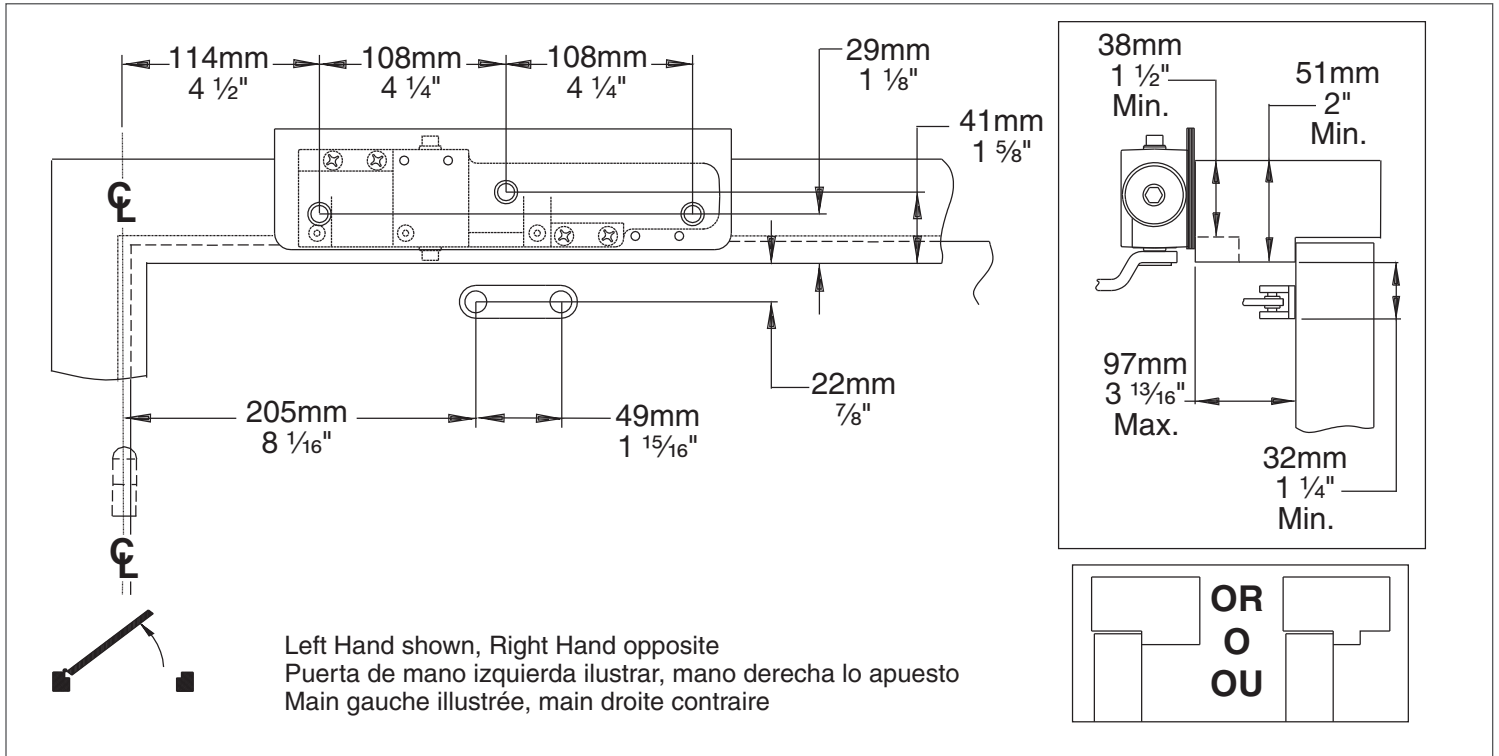
26125

Drop Plate

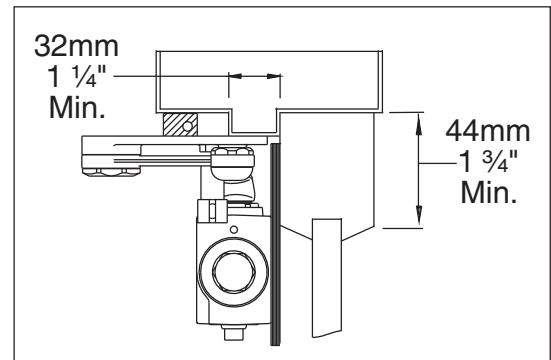
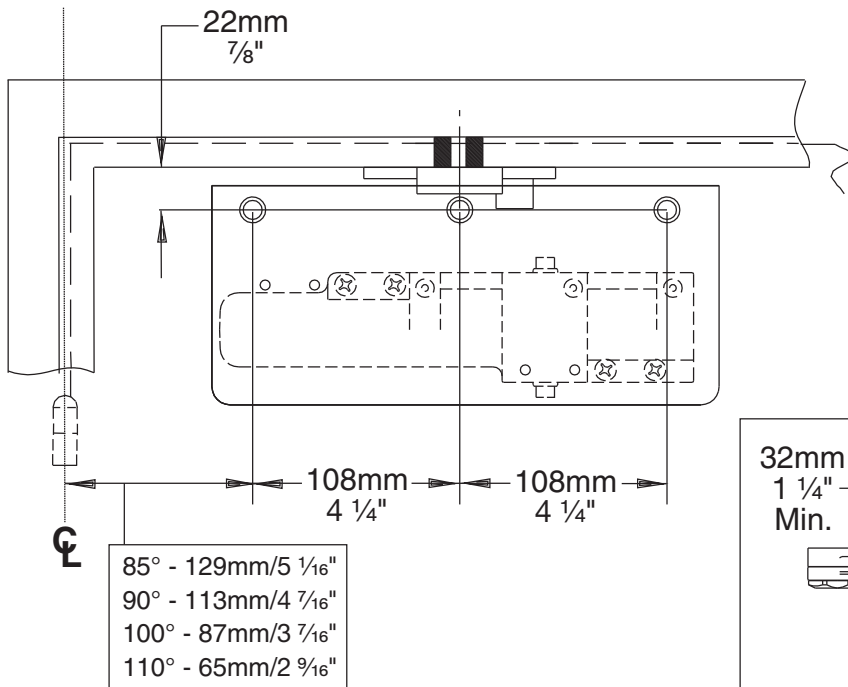
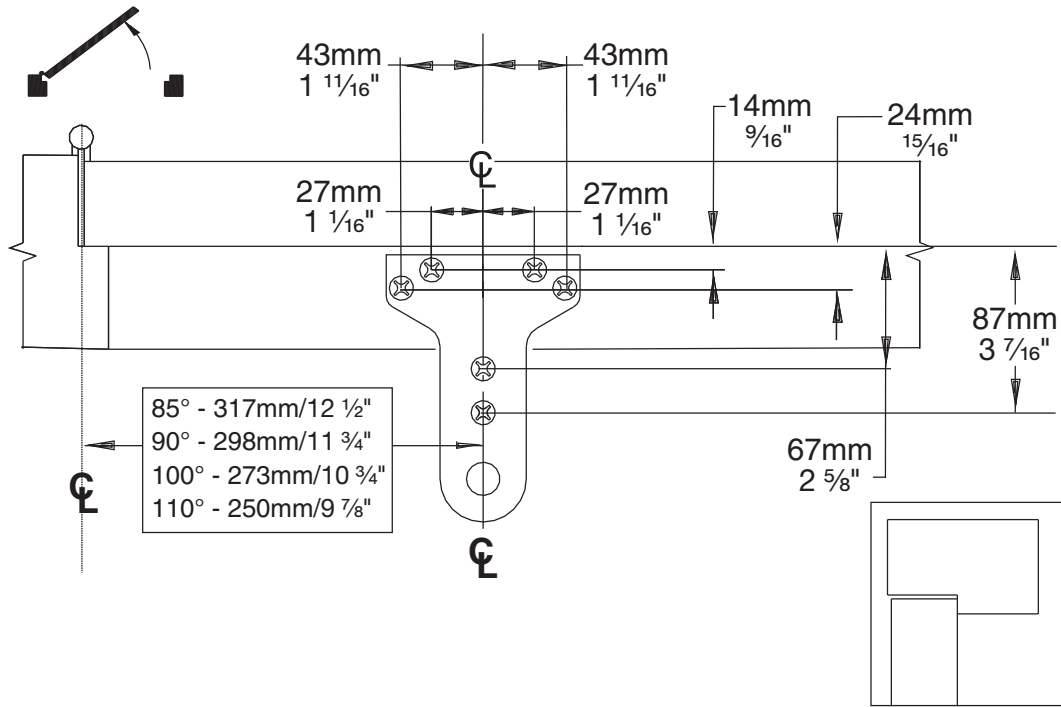
LCN®

Adapter Plate Template
Instalada en la placa inferior
Une plaque de plafond

Drop Plate



Spring Cush



Left Hand shown, Right Hand opposite
 Puerta de mano izquierda ilustrar, mano derecha lo apuesto
 Main gauche illustrée, main droite contraire

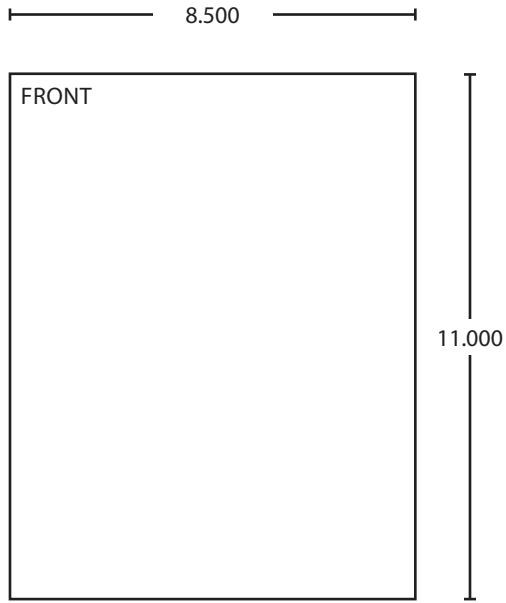
Customer Service Servicio al cliente Service à la clientèle

1-877-671-7011

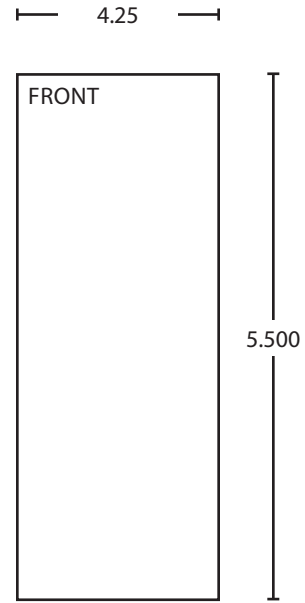
www.allegion.com/us



© Allegion 2014
 Printed in U.S.A.
 26125 Rev. 06/14-f



BEGINNING SHEET



FOLDED SHEET

Additional Notes:
1. None

Revision History						Revision Description:					
A	B	C	D	E	F	F > Revised artwork					
N/A	N/A	N/A	N/A	N/A	XXXXX						
Material						Edited By		Approved By		EC Number	Release Date
White Paper						D. Myers		M. Sasso		xxxxx	06-09-14
Notes						Title					
1. printed two sides						524 & 1521 Series Drop Plate Instruction Sheet					
2. printed black						Creation Date		Number		Revision	
3. tolerance $\pm .13$						N/A		26125		F	
4. printed in country may vary						Created By		Activity		© Allegion 2014	
5. drawings not to scale						N/A		3899 Hancock Expwy Security, CO 80911			
						Software: InDesign CS6					