



19580

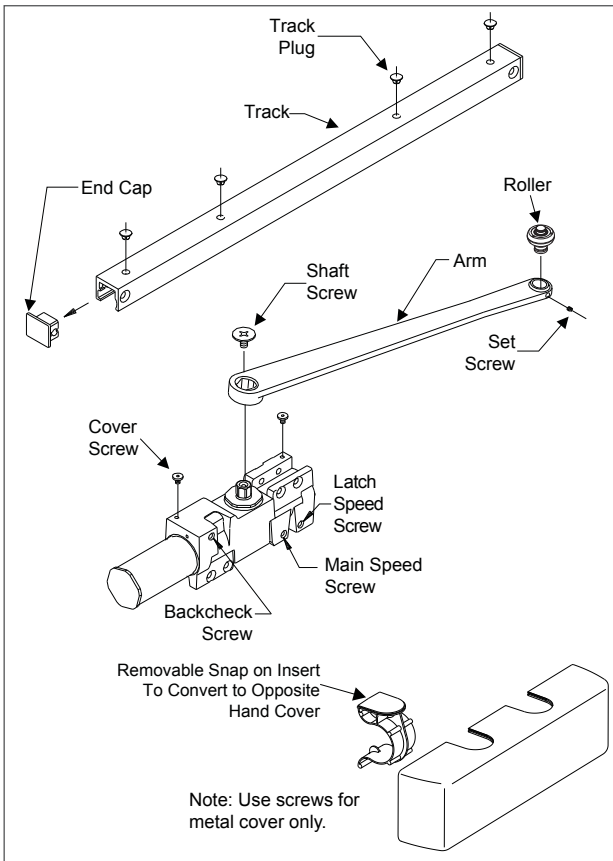
4003T/4004T

LCN®

Installation Instructions

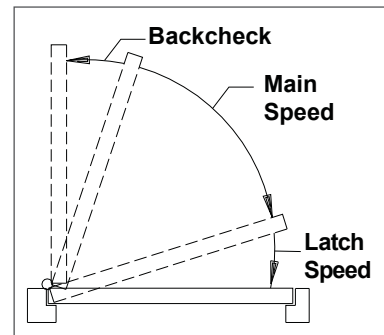
1 Installation

- 1a The 4000T Model is for a 90° Pocket Installation only. Determine required template for your installation, (see following pages) and mount closer on wall to dimensions shown. Secure with screws provided.
- 1b Remove end cap from track, and insert track roller. Replace end cap, then mount track on door to dimensions shown. Secure with screws provided. Place track plugs in holes on top of track.
- 1c Loosen set screw in arm. Connect arm to track roller, and tighten set screw firmly. **DOOR MUST REMAIN IN CLOSED POSITION FOR FOLLOWING ASSEMBLY STEPS.**
- 1d Swing arm toward closer and rest the hub of the arm on top of the closer shaft.
- 1e Place a wrench on the bottom shaft of the closer, and rotate away from the hinge (approx. 30°). When the flats in the arm line up with first available flats of the shaft, slide the arm hub over the shaft. Insert the shaft screw and tighten securely.



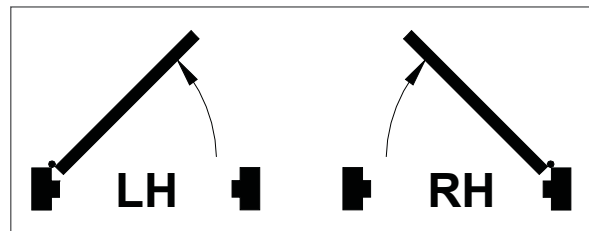
2 Regulation

- 2a Do not allow door to slam into frame. A “normal” closing time from a 90° position is 5 to 7 seconds, equally divided between **MAIN SPEED** and **LATCH SPEED**. If adjustments are needed, use a 3/32” hex wrench. To adjust **MAIN SPEED**, turn regulating screw clockwise to slow door speed or c.c.w. increase speed. **LATCH SPEED** is adjusted in the same way. When adjusting the **BACKCHECK**, turn regulating screw clockwise to increase amount of force or c.c.w. to reduce the amount of force. **DO NOT USE ABRUPT BACKCHECK SETTING OR EXCEPT CLOSER TO ACT AS A STOP!**



3 Attach Cover

- 3a With regulation done, place snap on clip insert into proper cutout then snap cover assembly onto spring tube.



! CAUTION !

Improper installation or regulation may result in personal injury or property damage. Follow all instructions carefully. For questions, call LCN at 877 - 671 - 7011

! WARNING !

Do not remove spring tube from this product extremely strong springs inside if repairs as necessary return to factory.

Customer Service

1-877-671-7011 www.allegion.com/us



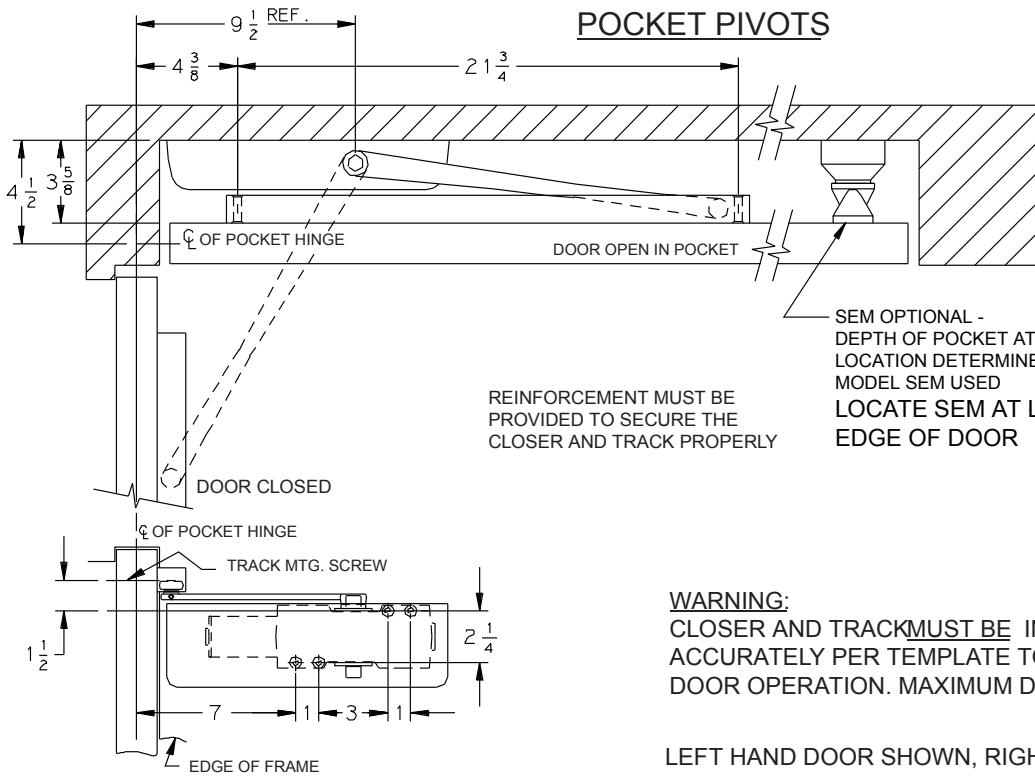
© Allegion 2015
Printed in U.S.A.
19580 Rev. 10/15-j

POCKET INSTALLATION APPLIES TO

4003T } MAX. OPENING 90°
 4004T } HOLD OPEN POINT 90°
 WITH MAGNET

AUXILIARY STOP RECOMMENDED

POCKET PIVOTS



WARNING:
 CLOSER AND TRACK MUST BE INSTALLED
 ACCURATELY PER TEMPLATE TO ASSURE PROPER
 DOOR OPERATION. MAXIMUM DOOR HOLD OPEN 90°

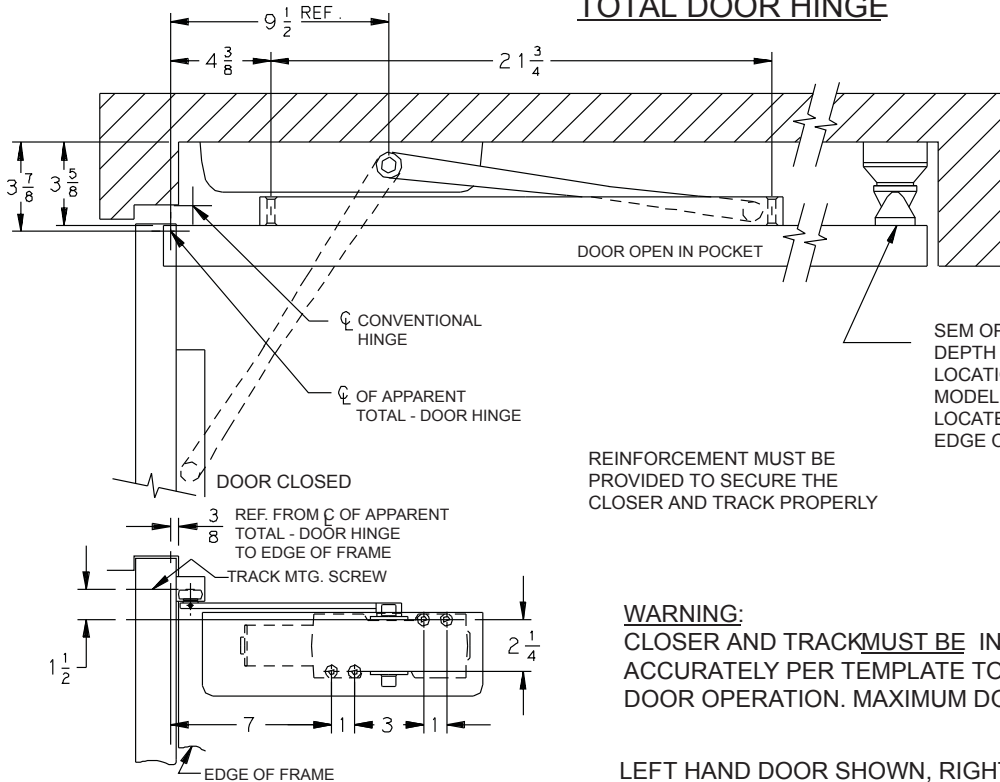
LEFT HAND DOOR SHOWN, RIGHT HAND OPPOSITE

TOTAL DOOR HINGE

POCKET INSTALLATION APPLIES TO

4003T } MAX. OPENING 90°
 4004T } HOLD OPEN POINT 90°
 WITH MAGNET

AUXILIARY STOP RECOMMENDED



WARNING:
 CLOSER AND TRACK MUST BE INSTALLED
 ACCURATELY PER TEMPLATE TO ASSURE PROPER
 DOOR OPERATION. MAXIMUM DOOR HOLD OPEN 90°

LEFT HAND DOOR SHOWN, RIGHT HAND OPPOSITE

GENERAL NOTES:

1. CLOSER SIZE: 12 1/4 x 3 1/2 x 2 5/32.
2. SPECIAL TEMPLATE FOR USE WITH SWING CLEAR HINGES.
3. REINFORCING PER ANSI/SDI-100 RECOMMENDED FOR HOLLOW DOORS AND FRAMES.

INCH	1/4	3/8	1	1 1/2	2 1/8	2 5/32	2 1/4	2 3/8	2 7/8
M.M.	6	10	25	38	54	55	57	60	73

INCH	3	3 1/2	3 5/8	3 7/8	4 3/8	4 1/2	7	9 1/2	12 1/4	2 1/4
M.M.	76	89	92	98	112	114	178	241	311	552

4000T

PULL SIDE MOUNT FOR 90° INSTALLATION

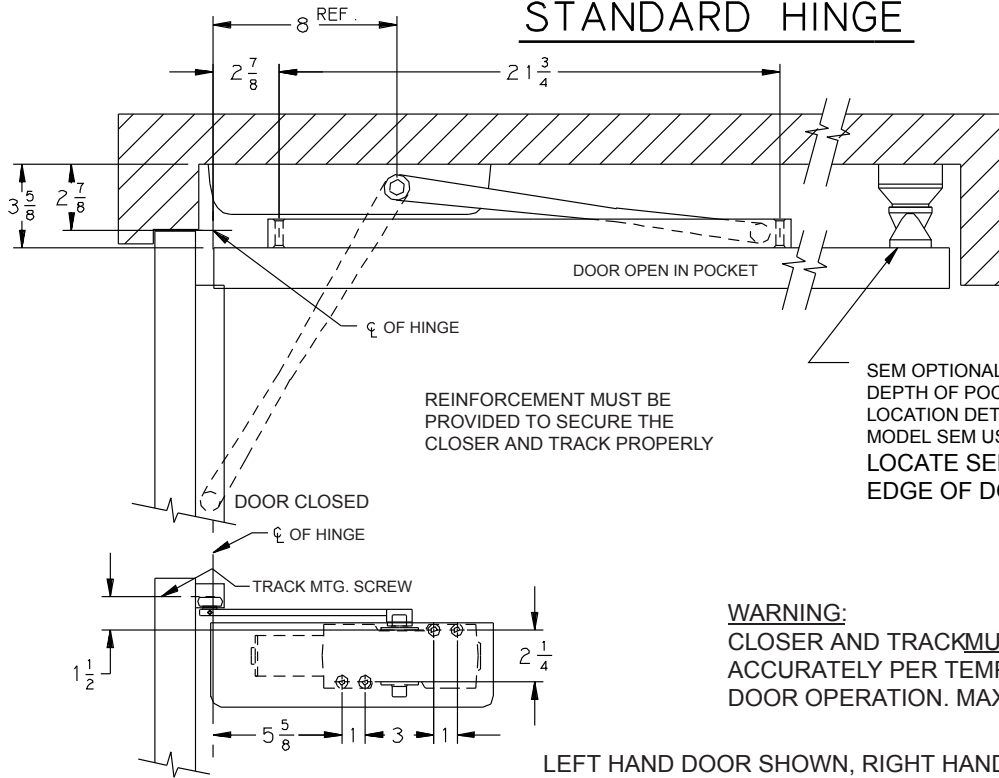
LCN
 1-877-671-7011

STANDARD HINGE

POCKET INSTALLATION APPLIES TO

4003T } MAX. OPENING 90°
4004T } HOLD OPEN POINT 90°
WITH MAGNET

AUXILIARY STOP RECOMMENDED

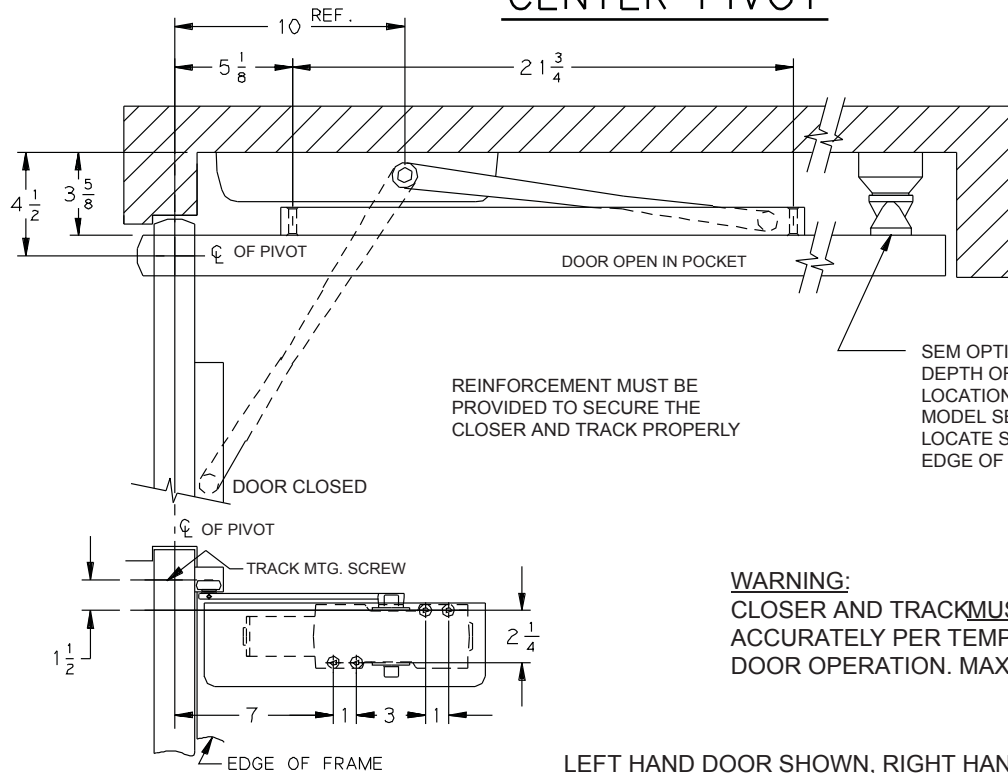


CENTER PIVOT

POCKET INSTALLATION APPLIES TO

4003T } MAX. OPENING 90°
4004T } HOLD OPEN POINT 90°
WITH MAGNET

AUXILIARY STOP RECOMMENDED



INCH	1/4	3/8	1	1 1/2	2 1/8	2 1/4	2 5/32	2 3/8	2 7/8	3	
M. M.	6	10	25	38	54	57	55	60	73	76	
INCH	3 1/2	3 5/8	4 3/8	4 1/2	5 1/8	5 5/8	7	8	10	12 1/4	12 1/4
M. M.	89	92	112	114	130	143	178	203	254	311	552

GENERAL NOTES:

1. CLOSER SIZE: 12 1/4 x 3 1/2 x 2 5/32.
2. IF DOOR IS HUNG ON SWING CLEAR HINGES, CONSULT FACTORY.
3. REINFORCING PER ANSI/SDI-100 RECOMMENDED FOR HOLLOW DOORS AND FRAMES.

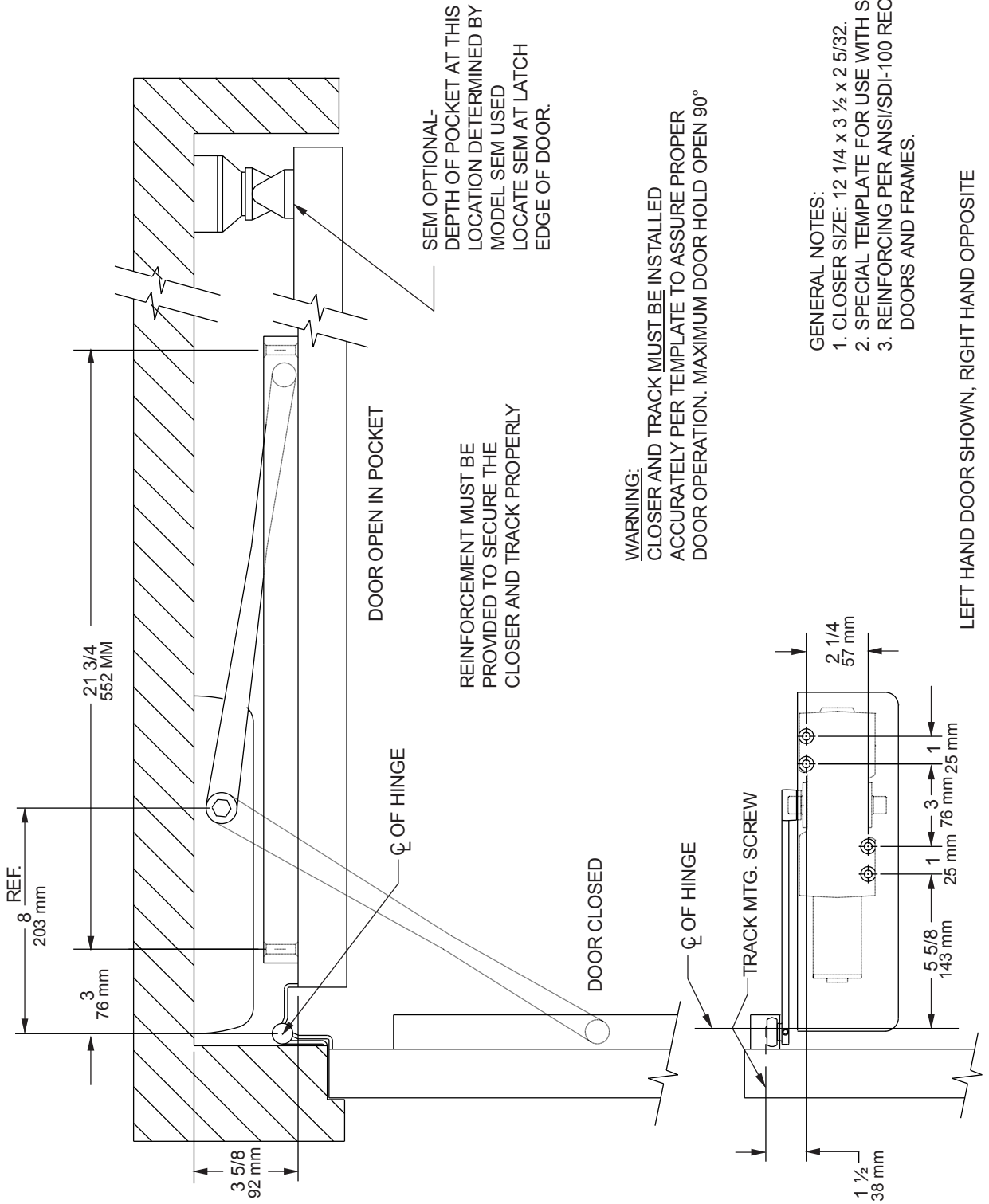
4000T

PULL SIDE MOUNT FOR 90° INSTALLATION

LCN
1-877-671-7011

SWING CLEAR HINGE

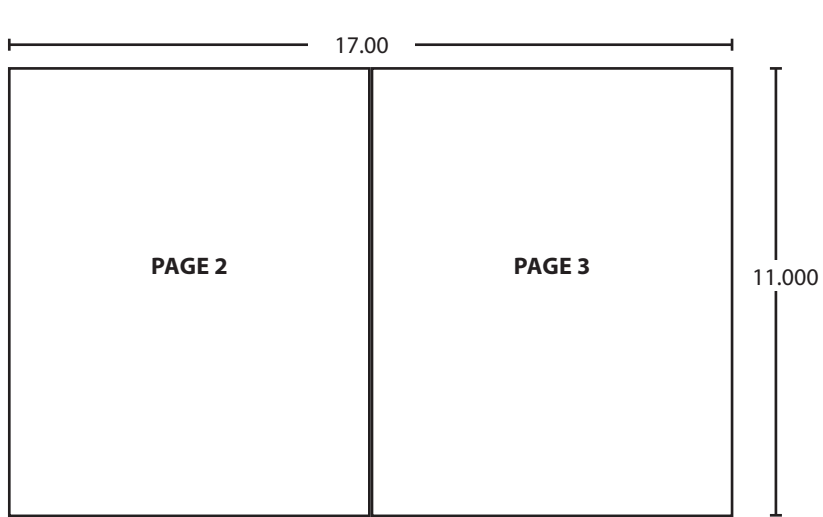
POCKET INSTALLATION APPLIES TO:
 4003T } MAX. OPENING 90°
 4004T } HOLD OPEN POINT 90°
 WITH MAGNET
 AUXILIARY STOP RECOMMENDED



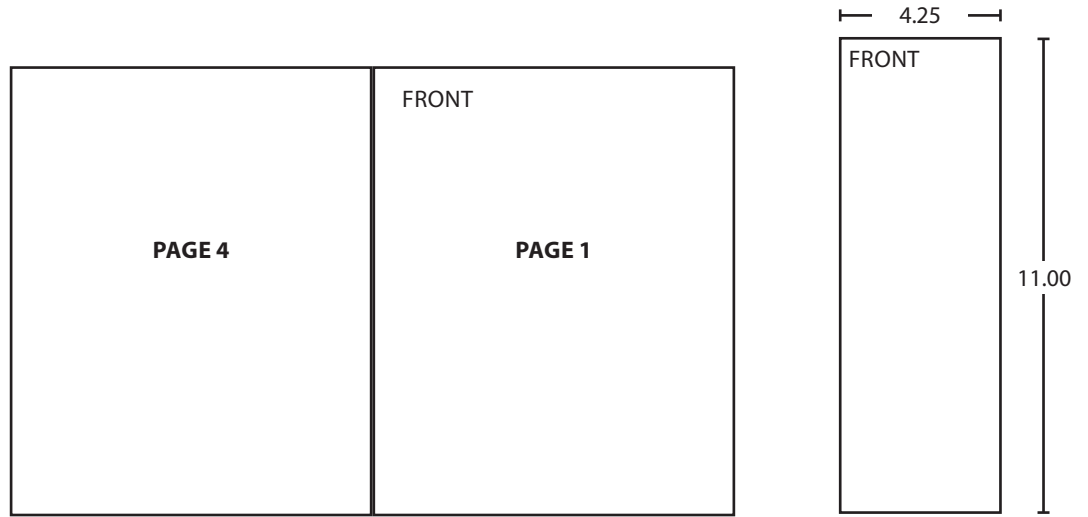
GENERAL NOTES:

1. CLOSER SIZE: 12 1/4 x 3 1/2 x 2 5/32.
2. SPECIAL TEMPLATE FOR USE WITH SWING CLEAR HINGES.
3. REINFORCING PER ANS/SDI-100 RECOMMENDED FOR HOLLOW DOORS AND FRAMES.

LEFT HAND DOOR SHOWN, RIGHT HAND OPPOSITE



BEGINNING SHEET



FOLDED SHEET

Additional Notes:
1. None

Revision History						Revision Description:					
H	J	K	L	M	N	J > Revised artwork					
043228											
Material						Edited By		Approved By		EC Number	Release Date
White Paper						J. Ellis		J. Pattar		xxxxxx	10-19-15
Notes						Title					
1. printed two sides						4000T Series Instruction Sheet					
2. printed black						Creation Date		Number		Revision	
3. tolerance ± .13						04-12-11		19580		J	
4. printed in country may vary						Created By		Activity		© Allegion 2015	
5. drawings not to scale						N/A		3899 Hancock Expwy Security, CO 80911			
						Software: InDesign CS6					