

MS+1890 Series MS® Deadlock/Deadlatch



ALUMINUM

GRADE 1
E82101

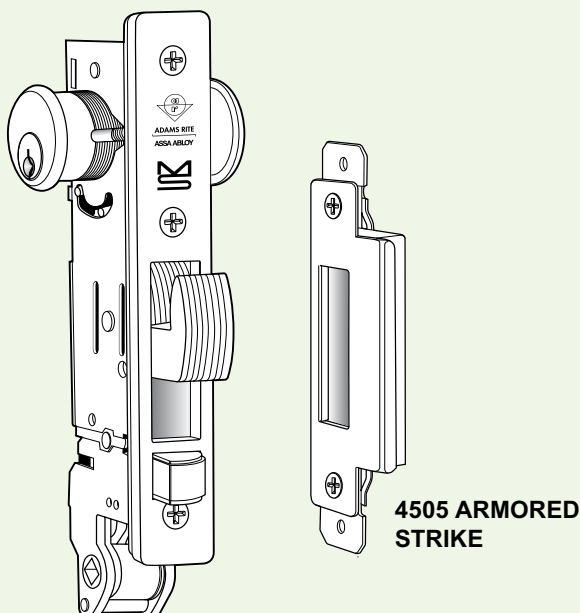
The MS+1890 Deadlock/Latch provides a maximum security deadlock for after hour and traffic control convenience during business hours.

Function

Maximum Security deadlock after hours, plus traffic control convenience for management during the business day. Typical installation is a bank or store requiring three modes of door control: 1. Both lock and latch bolts retracted for unrestricted entry and exit during business hours, 2. Handle-operated latch for exit-only traffic just after closing and 3. Maximum Security hookbolt for overnight lockup. NOTE: Handle or paddle operates latchbolt only.

Operation

360° turn of key or thumbturn throws or retracts the hook-shaped deadlock. 120° further turn retracts latch bolt as well. Cylinder may be any make standard 1-5/32" diameter mortise type with MS® dimensioned cam (see CYLINDERS). Handle retracts spring-loaded latchbolt only.



4505 ARMORED
STRIKE

Specifications

CYLINDER BACKSET

- 31/32", 1-1/8", or 1-1/2".

CASE

- Steel with corrosion-resistant plating, measures 1" x 7-3/8" x depth. Depth varies by backset (see table on back of page).

LATCHBOLT

- Zinc alloy with Delrin face for smooth, quiet action, measures 5/8" x 5/8" with 7/16" throw. Handing easily reversible. Bolt can be held fully retracted to allow door to be free swinging (see illustration on back of page).

LOCKBOLT

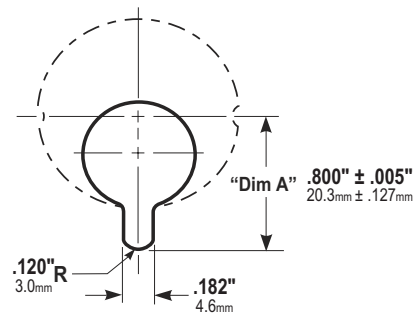
- 5/8" x 1-3/8" with 13/16" throw. Eight-ply laminated stainless steel. Center ply has alumina-ceramic core to defeat any hacksaw attack, including rod-type "super" hacksaws, while hook shape repels pry bar attempts to "spread" the door from its jamb or lift it off its track.

ARMORED STRIKE

- Satin stainless steel trimplate with steel mounting plate and dust box. Flat strike furnished. Also available for pairs of doors in radius shape, or flat with square corners for ANSI hollow metal jambs. Flat strikes also available with longer lip. MS+1890 Deadlock/Latch cannot be used with electric strikes.

CYLINDER CAM

- MS+1890 Series locks are operable by any standard 1-5/32" diameter mortise cylinder with MS® cam dimensioned as shown. Cylinders with MS® cams can be readily obtained from most cylinder manufacturers. See CYLINDERS section for cylinder make, thumbturn and trim ring information.



OPTIONS

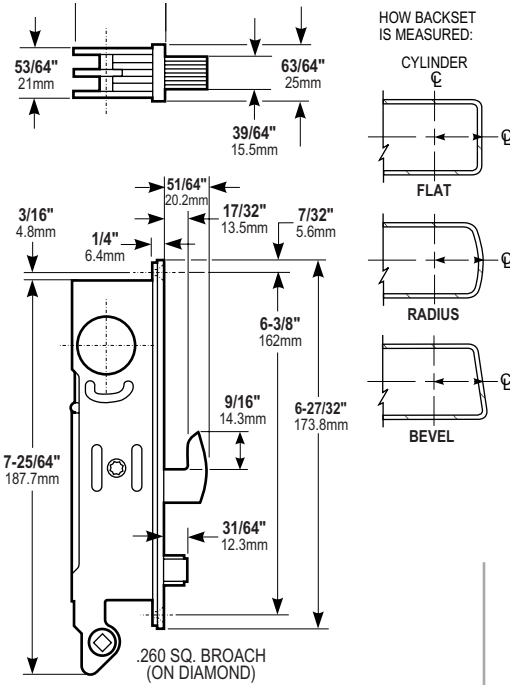
- Order handle/paddle for one side only or both sides. Handles/paddles on both sides solve, with minimum traffic impediment, the problem of doors that stand ajar due to wind or air-conditioning pressures.

STANDARD PACKAGE

- Individually boxed with strike and machine screws for mounting. Cylinders available separately. Shipping weight: 2 lbs.

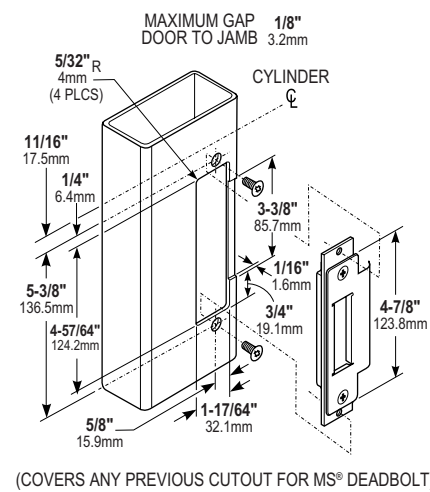
All measurements are approximate and are provided for informational purposes only. Refer to the product Installation Instructions.

Dimensions

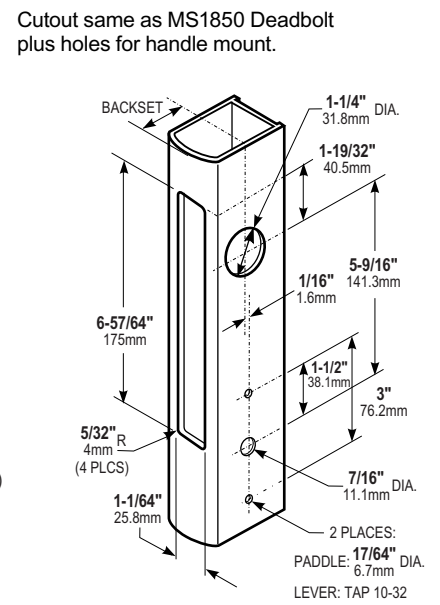


BACKSET	"A"	ARMORED FACEPLATE 1" X 6-7/8"
31/32" 24.6mm	1-5/8" 41.3mm	FLAT MS+1890
1-1/8" 28.6mm	1-25/32" 45.2mm	RADIUS MS+1891
1-1/2" 38.1mm	2-1/4" 57.2mm	RADIUS W/ WEATHERSTRIP MS+1891W
		LH BEVEL MS+1892 (LH)
		RH BEVEL MS+1892 (RH)

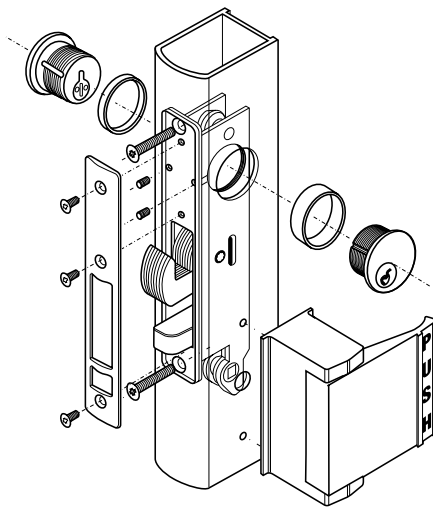
Jamb Preparation



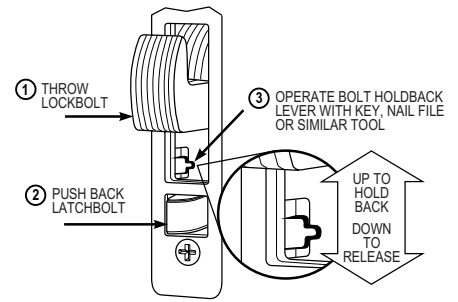
Stile Preparation



Latch/Lock, Cylinder & Paddle Installation



Latch Holdback Instructions



HOW TO ORDER MS+1890 SERIES MS® DEADLOCK/DEADLATCH

Specify quantity and the following information. Order related products separately.

PRODUCT NO.	FACEPLATE	BACKSET	STRIKE SHAPE/LIP LENGTH	HANDING	FINISH
MS+189	1	-3	02	6	-628
	0 Flat	2 31/32"	01 Flat/Standard Jamb	5 LH or RHR	313 Dark Bronze Anodized
	1 Radius	3 1-1/8"	02 Radius/Standard Stile	6 RH or LHR	335 Black Anodized
	1W Radius with weatherstrip	4 1-1/2"	17 Flat/Center Hung 4" Jamb		628 Clear Anodized
	2 Bevel		21 Flat/Center Hung 4-1/2" Jamb		
			XX Other Lip Lengths		

For door thickness other than 1-3/4", contact factory.

RELATED PRODUCTS When purchasing this product, please consider the following related products, available separately:

Accessories

Trim strikes, including 4505 armored strike.

Cylinders

MS+1890 Deadlock/Latch is operable by any standard 1-5/32" diameter mortise cylinder with MS® cam.

Trim

4568, 4569 Lever trim and 4591 paddles. Electrified trim/operators are not available for the MS+1890.