

# MS1861 Series Bottom Rail Deadbolt



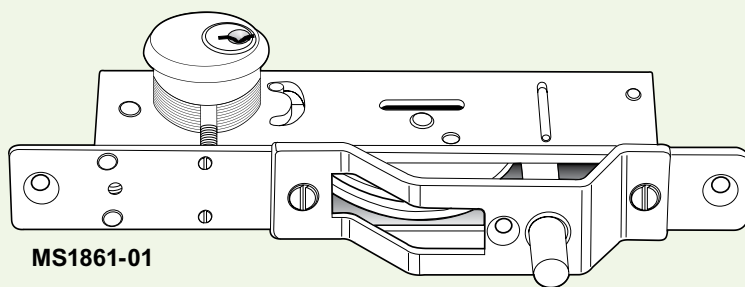
FULL GLASS

GRADE 1  
E8211

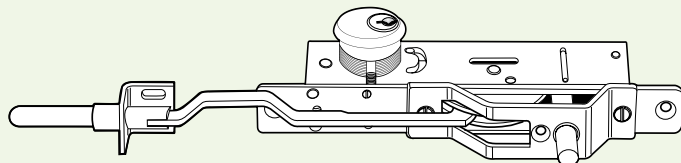
The MS1861 Bottom Rail Deadbolt provides maximum security with MS deadbolt over-center/pivot locking mechanism. It utilizes hardened steel bolts for the limited space of ultra-narrow stile doors.

## Function

Using the same over-center/pivot locking mechanism as the basic MS® deadbolt, the MS1861 lies horizontally in the bottom rail of ultra-narrow stile doors which have insufficient vertical space for a lock, and tempered glass doors which have no stile at all. The hardened steel cylindrical bolts allow simple drilled strike holes of a relatively small size to minimize the nuisance and danger presented by some threshold strikes in collecting debris or snagging on high-heeled shoes. MS1861-02 locks either single-leaf or pairs of doors. Not recommended for wood doors.



MS1861-01



MS1861-02

## Operation

360° turn of key or thumbturn throws or retracts bolt(s). Key can be removed only when bolts are in a positively locked or unlocked position. Lock accepts any standard 1-5/32" diameter mortise cylinder from either or both sides. Cylinder must have MS® dimensioned cam.

## Specifications

### CYLINDER BACKSET

- Minimum backset is approximately 2-1/4" for the MS1861-01 with vertical bolt only. The MS1861-02 with vertical and horizontal bolts requires placement of cylinder centerline 5-3/4" from nose of door. Both have cylinder center 1-7/8" above bottom edge of door.

### CASE

- Steel with corrosion-resistant plate, measures 1" x 6" x 1-13/16".

### BOLTS

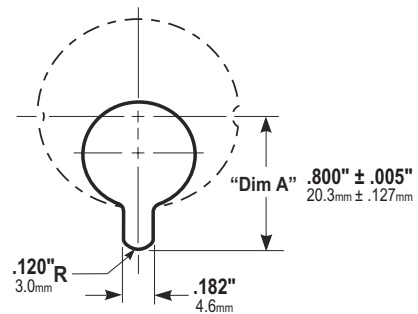
- 3/8" diameter. Stainless steel vertical threshold bolt has 13/16" throw. Hardened steel horizontal bolt has 1-1/8" throw.

### STRIKES

- In metal installation, 7/16" drilled holes in threshold are required. For MS1861-02, drilled holes are also required in jamb or opposite door. For wood, metal plate with 7/16" hole must be provided for each bolt.

### CYLINDER CAM

- MS1861 Bottom Rail Deadbolts are operable by any standard 1-5/32" diameter mortise cylinder with MS® cam dimensioned as shown. Cylinders with MS® cams can be readily obtained from most cylinder manufacturers. See CYLINDERS section for cylinder make, thumbturn and trim ring information.

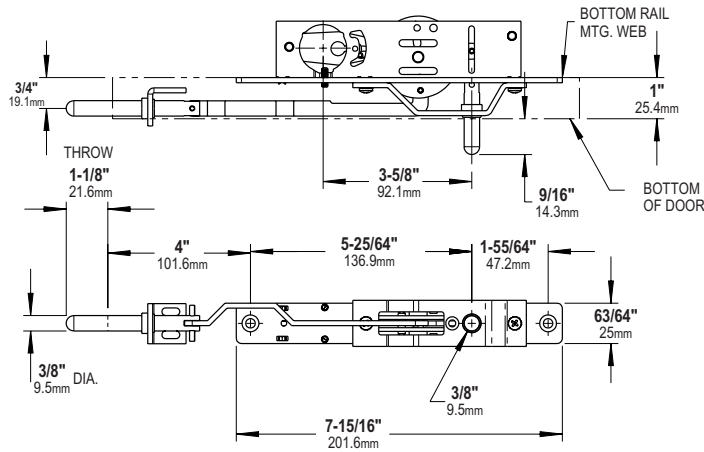


### STANDARD PACKAGE

- Individually boxed with mounting screws. Cylinders and/or thumbturns available separately. Shipping weight: MS1861-01: 1-3/4 lbs., MS1861-02: 2 lbs.

All measurements are approximate and are provided for informational purposes only. Refer to the product Installation Instructions.

### Dimensions



UNIT ILLUSTRATED IS MS1861-02. (BOTH HORIZONTAL & VERTICAL BOLTS INCLUDED.) PART NUMBER FOR VERTICAL BOLT OPERATION ONLY IS MS1861-01. CONVERSION KIT NO. 4014 AVAILABLE TO CONVERT MS1861-01 TO MS1861-02. SEE BELOW:

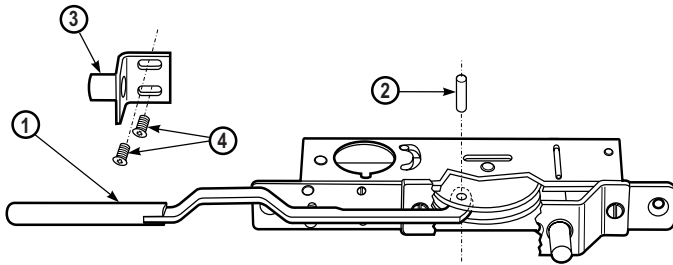
### 4014 Conversion Kit

To convert MS1861-01 to MS1861-02, 4014 Conversion Kit provides horizontal bolt assembly with guide and attachment fittings.

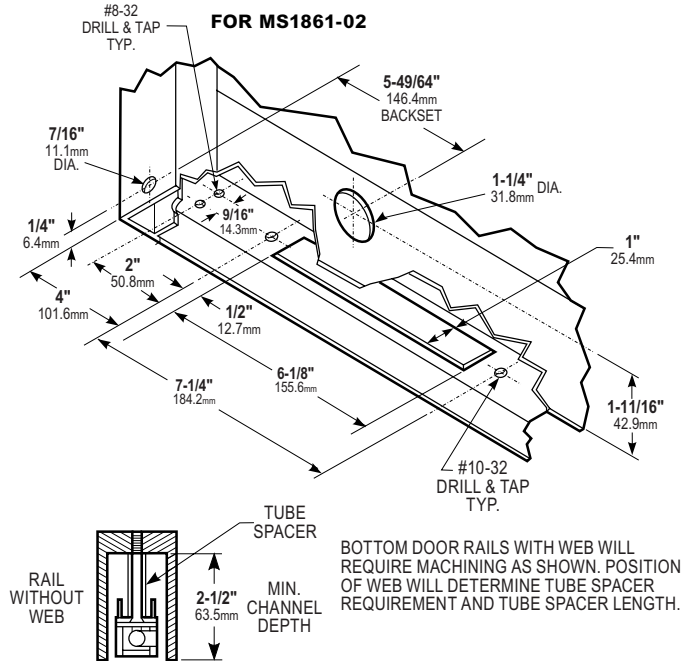
The 4014 Conversion Kit consists of:

- ① Arm & Bolt Assembly
- ② Assembly Pin
- ③ Bolt Guide Bracket
- ④ Mounting Screws

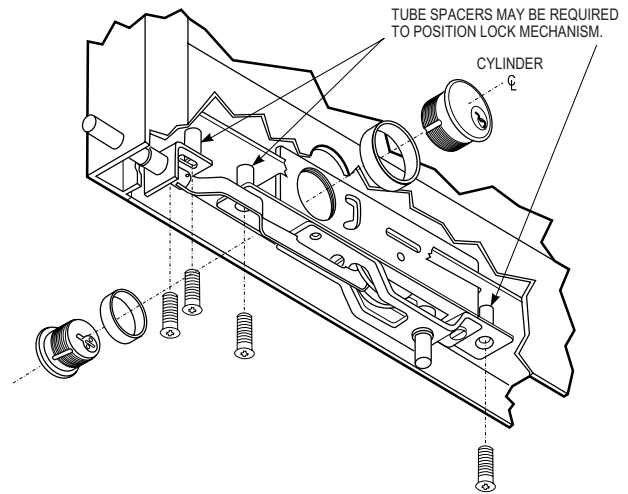
To assemble, press pin through disc and arm.



### Rail Preparation



### Lock & Cylinder Installation



### HOW TO ORDER MS1861 SERIES BOTTOM RAIL DEADBOLT

Specify quantity and the following information. Order related products separately.

PRODUCT NO.	BOLT OPERATION	FINISH	PACKAGING
<b>MS1861</b>	<b>-01</b>	<b>-603</b>	<b>-IB</b>
	01 Vertical Bolt Only	603 Zinc plated steel	IB Individually Boxed
	02 Vertical and Horizontal Bolts		

If tube spacers are required, specify QUANTITY and LENGTH.

**RELATED PRODUCTS** When purchasing this product, please consider the following related products, available separately:

#### Accessories

4014 Conversion Kit for multi-point locking applications or it can be ordered with vertical and horizontal bolts (Bolt Operation option 2).

#### Cylinders

MS1861 Bottom Rail Deadbolts are operable by any standard 1-5/32\" diameter mortise cylinder with MS® cam.