

# MS1850SN-050 Series MS® Deadlock (ANSI Size)



HOLLOW  
METAL



WOOD

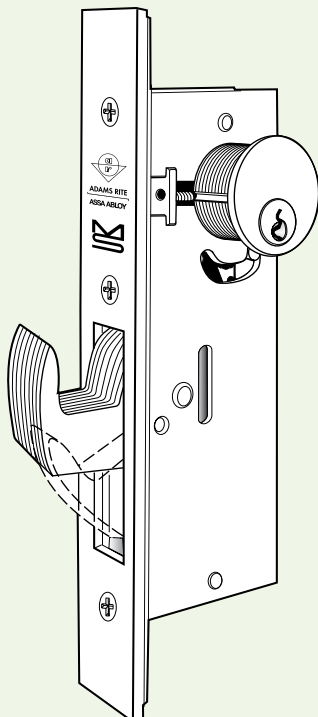


GRADE 1  
E8281/E8291

The ANSI size MS1850SN-050 Deadlock utilizes a laminated stainless steel hookbolt, activated by a pivot mechanism to provide maximum security for wood or hollow metal doors.

## Function

For hollow metal or wood sliding doors prepared for hardware according to the specifications of the American National Standards Institute (ANSI), this MS deadlock provides maximum security and ease of installation. Its standard 1-1/2" backset dimension provides adequate clearance for the deep jamb "pocket" of many commercial and industrial entrances. Also useful for swinging doors closing against jambs too shallow for the 1-3/8" throw of the MS1850SN swinging door deadlock.



## Operation

360° turn of key or thumbturn throws or retracts the counterbalanced bolt. Key can be removed only when bolt is in a positively locked or unlocked position. Lock accepts any standard 1-5/32" diameter mortise cylinder or thumbturn from either or both sides. Cylinder must have MS® dimensioned cam.

## Specifications

### CYLINDER BACKSET

- 1-1/2" only.

### CASE

- Steel with corrosion-resistant plating, measures 1" x 6" x 2-1/4".

### BOLT

- 5/8" x 1-3/8" with 13/16" throw. Eight-ply laminated stainless steel. Center ply has alumina-ceramic core to defeat any hacksaw attack, including rod-type "super" hacksaws, while hook shape repels pry bar attempts to "spread" the door from its jamb or lift it off its track.

### FACEPLATE

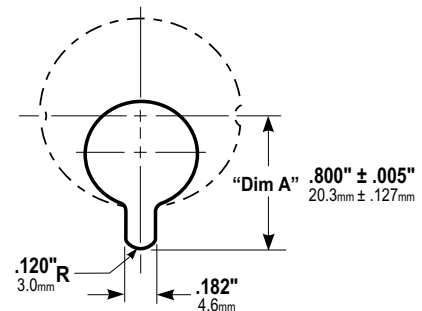
- Measures 1-1/4" x 8".

### STRIKE

- See back of page for dimensions of strike slot which can be cut in metal jamb. Trim plate, box strike, and armored strike are also available.

### CYLINDER CAM

- MS1850SN-050 Deadlocks are operable by any standard 1-5/32" diameter mortise cylinder with MS® cam dimensioned as shown. Cylinders with MS® cams can be readily obtained from most cylinder manufacturers. See CYLINDERS section for cylinder make, thumbturn and trim ring information.



### OPTIONS

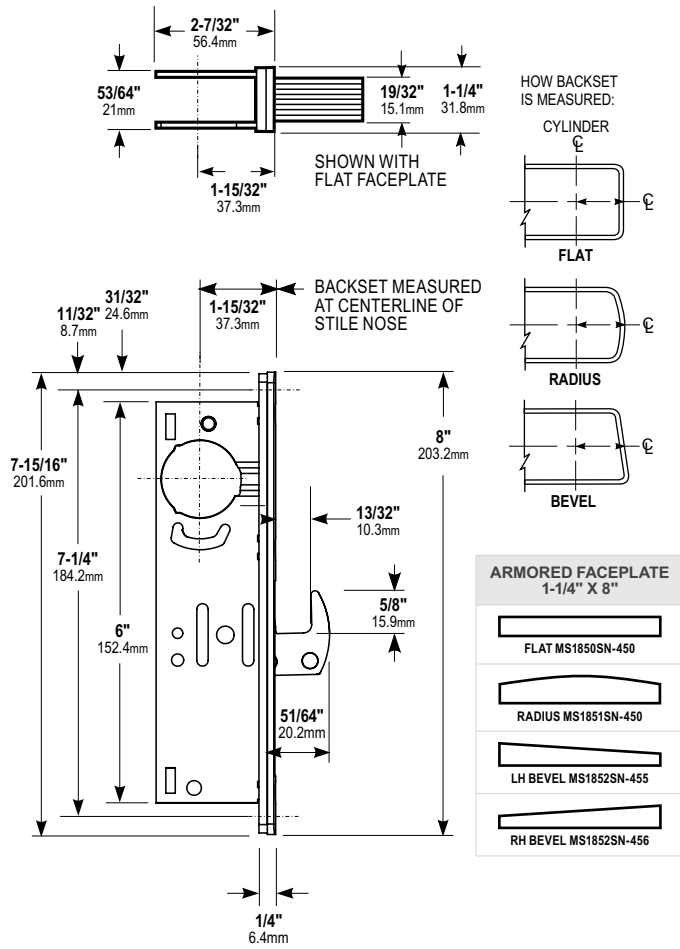
- Cylinder backset and faceplate finish and shape (radiused, flat or bevel cross-section to match door nose) must be specified. "SCHOOLHOUSE" version, also available, is modified so that operation from inside is "unlock only". This lock is handed and must be specified LH or RH. Specify Series SCH1850SN-050. Same faceplate and backset options as Series MS1850SN-050. Operation from inside, with standard Adams Rite 4066 Turn.

### STANDARD PACKAGE

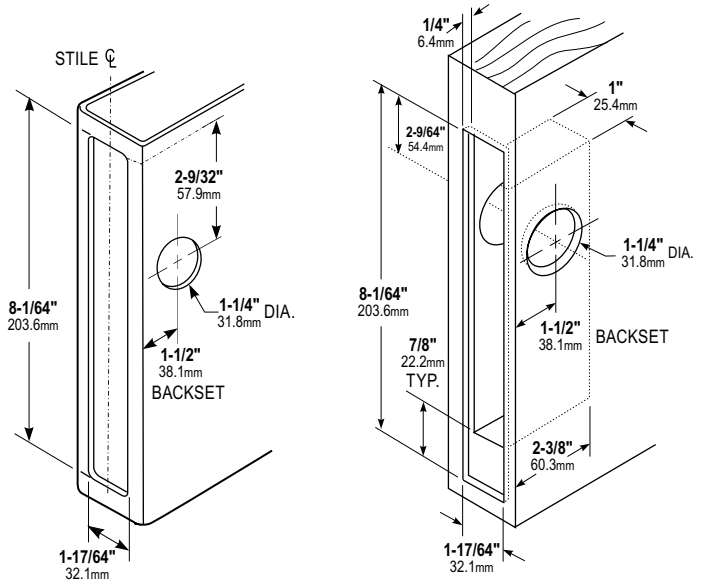
- Individually boxed with machine screws for mounting. Cylinders and/or thumbturns available separately. Shipping weight: 1-1/2 lbs.

All measurements are approximate and are provided for informational purposes only. Refer to the product Installation Instructions.

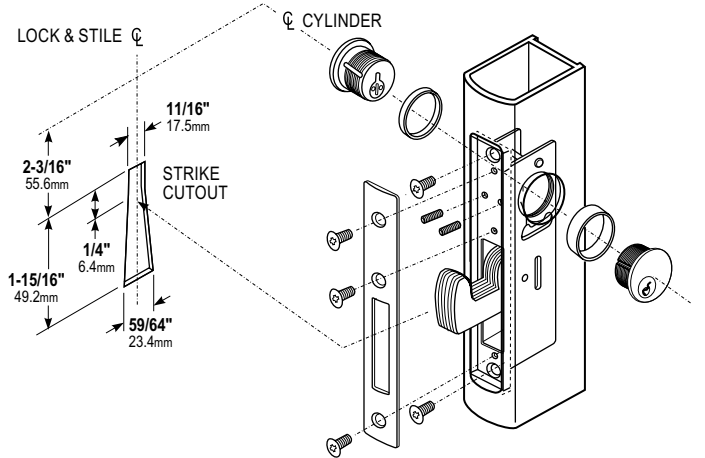
**Dimensions**



**Stile & Wood Door Preparation**



**Lock & Cylinder Installation**



**HOW TO ORDER MS1850SN-050 MS® DEADLOCK (ANSI SIZE)**

Specify quantity and the following information. Order related products separately.

PRODUCT NO.	FACEPLATE	ANSI SIZE	HANDING	FINISH
<b>MS185</b>	<b>0</b>	<b>SN</b>	<b>-450</b>	<b>-628</b>
	0 Flat		455 LH or RHR	313 Dark Bronze Anodized
	1 Radius		456 RH or LHR	335 Black Anodized
	2 Bevel		450 Non-Handed*	628 Clear Anodized

\*Any flat or radius faceplate.

**RELATED PRODUCTS** When purchasing this product, please consider the following related products, available separately:

**Accessories**

4015 Threshold Bolt or 4016 Header Bolt for multi-point locking.  
 4085 Header Bolt for hollow metal pairs of doors. 4085 Header Bolt not recommended for wood applications.  
 Deadlock strikes.

**Cylinders**

MS1850SN-050 Deadlocks are operable by any standard 1-5/32" diameter mortise cylinder with MS® cam.

**Trim**

Deadlock lever trim & keyless entry trim.

**Special Order Options**

Schoolhouse function available as special order.