

# MS1847 Series MS® Deadlock/Deadlatch



FULL GLASS



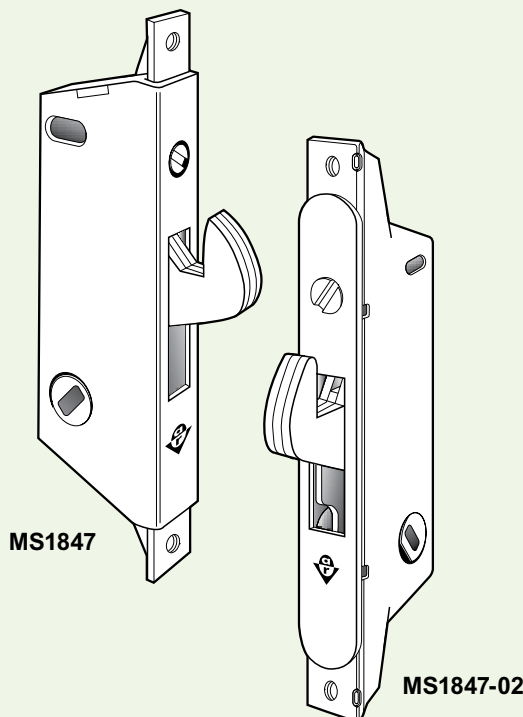
ALUMINUM

GRADE 1  
E8291

The MS1847 Deadlock/Latch for ultra-narrow stile sliding doors features a self-protecting bolt with adjustable bolt projection.

## Function

A compact lock designed to fit within very narrow sliding door stiles without compromising the high degree of security these doors need. The sturdy stainless steel bolt has two important features not usually found in sliding door hardware. First, it is adjustable: a full 3/16" lengthening or shortening of bolt projection is possible by turning an exposed screw in the face of the lock. This can compensate for considerable misalignment between door and jamb. Second, the MS1847 bolt is self-protecting: if the door is closed with the bolt in the locked position, the bolt will retract immediately on contact with the jamb, thus preventing damage or accidental lock-out.



## Operation

Can be operated by a standard cylinder, so the glass door may be keyed-in with other types of doors. Three hub slot positions allow installation even where jamb and stile design provides severely limited turn clearance.

## Specifications

### LATCH VERSION

- The same stainless steel hookbolt, but spring-loaded for automatic latching, is provided by the MS1847-11 and MS1847-13. *All dimensions and available accessories for the MS1847 deadlocks also apply to MS1847 deadlatches.*

### CASE

- Stainless steel, measures 1/2" x 3-3/16" x 1-1/8".

### ANTI-LIFT BOLT

- Three-ply laminated stainless steel. Designed to withstand approximately one-half ton force, either horizontal or vertical. Anti-lift bolt stops both door-from-jamb pry bar attacks and attempts to lift the door from its track.

### FACE

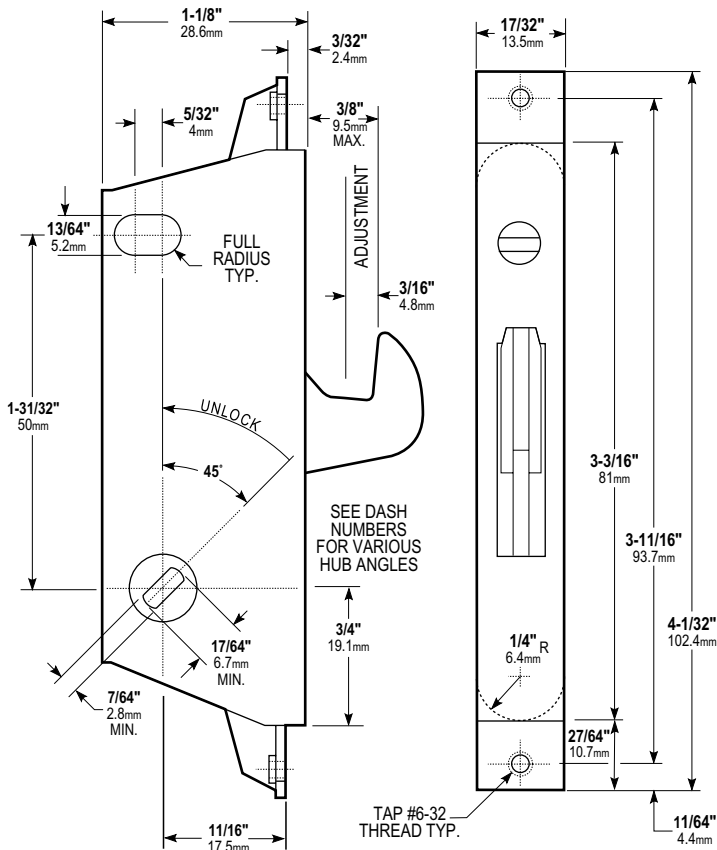
- Rectangular or full radiused ends (see table on back of page for dash numbers).

### STANDARD PACKAGE

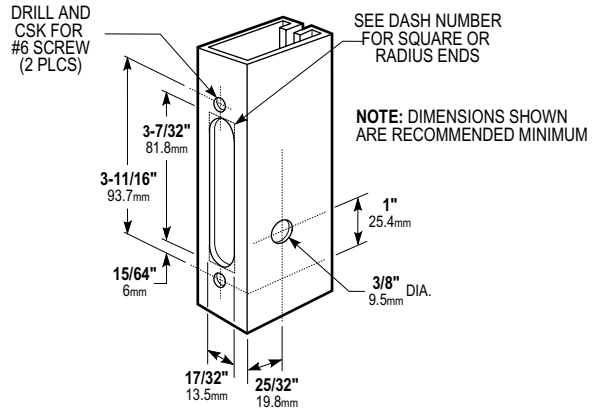
- Case-packed with machine screws for mounting. Shipping weight: 1/3 lb.

All measurements are approximate and are provided for informational purposes only. Refer to the product Installation Instructions.

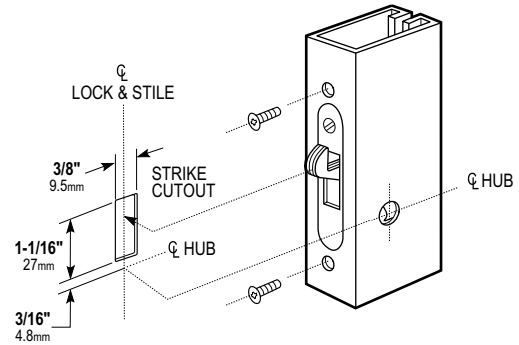
### Dimensions



### Stile Preparation



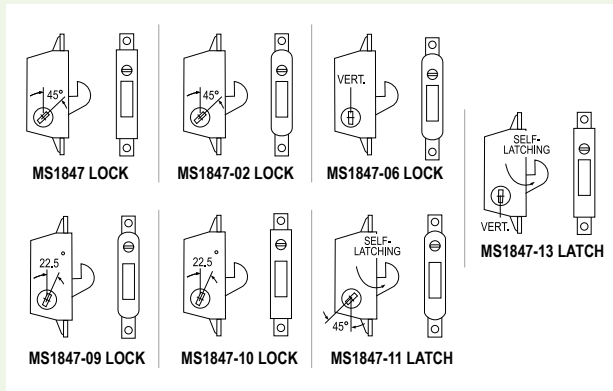
### Installation



### HOW TO ORDER MS1847 SERIES MS® DEADLOCK/DEADLATCH

Specify quantity and the following information. Order related products separately.

PRODUCT NO.	FACE SHAPE, HUB ANGLE, LOCK OR LATCH	FINISH
<b>MS1847</b>	<b>-02</b>	<b>-630</b>
	(blank) See Configuration Table	630 Satin Stainless
	02 See Configuration Table	
	06 See Configuration Table	
	09 See Configuration Table	
	10 See Configuration Table	
	11 See Configuration Table	
	13 See Configuration Table	



**RELATED PRODUCTS** When purchasing this product, please consider the following related products, available separately:

**Accessories**

Trim strikes.

**Cylinders**

Turns and cylinder pulls.