

## ADDENDUM FOR MODEL SAM2C-24 MAGNALOCK

*This addendum is intended as an introductory supplement to the Securitron Model SAM, SAM2 Shear Aligning Magnalock Manual (P/N 500-10440) and addresses installation and operating information specific to the "C" Senstat version of Magnalocks.*

### 1. INTRODUCTION

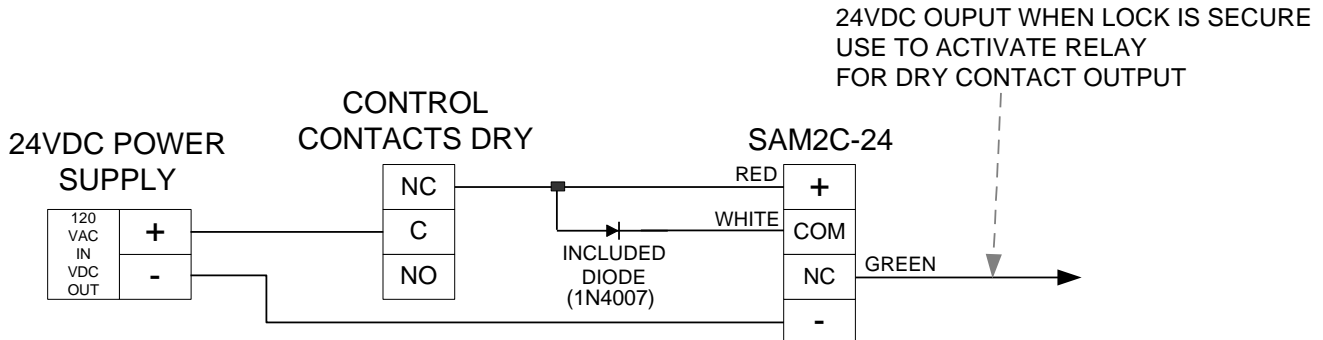
Securitron has now implemented the new "SAM2C-24", Form-C style Mini Shear Aligning Magnalock. It was created to add an additional door status feature. The door status functions when the door is closed and the Magnalock is under power. The strike contact to the Magnalock face reports a two wire connection continuity completing door status. The features for the SAM2C-24 are as follows:

- The Form-C feature allows hook-up for door monitoring capabilities
- Dual lock face geometry for lock face isolated contact points
- Field retrofits dimensionally and electrically to its related model types
- Maintains required holding force requirements
- Form-C Operational Specifications: **1 Amp @ 30VDC Maximum**

Strikes should only be mounted in non-conductive material i.e. wood, vinyl. Not recommended for metal door/window applications.

### 2. ELECTRICAL WIRING

Form-C lock wiring provides isolated closure with the Green and White when the lock is on and the strike is secure. The wiring diagram is illustrated below.



NOTE: LOCK IS DEPICTED IN THE SECURE CONDITION

### 3. DOUBLE DOOR STATUS REPORTING

Additional information for "Double Door Status Reporting" can be found in Section 3.6 of the Securitron Model SAM, SAM2 Shear Aligning Magnalock Manual or in Section 3.6 of the Securitron Magnalock Manual.

### 4. TROUBLESHOOTING INFORMATION

Additional reference information can be found under "Troubleshooting Information" in Appendix A of the Securitron Model SAM, SAM2 Shear Aligning Magnalock Manual or in Appendix A of the Securitron Magnalock Manual.