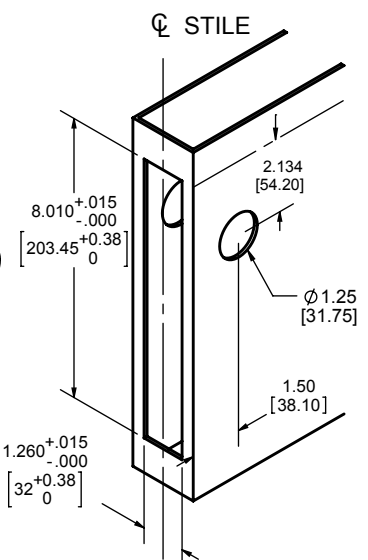
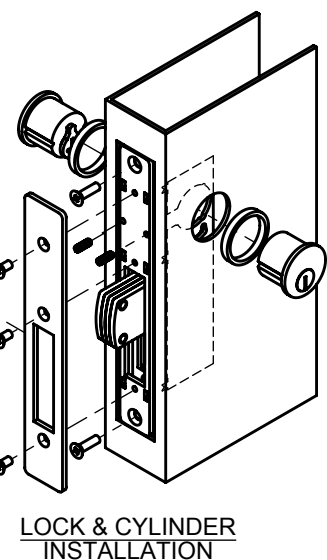
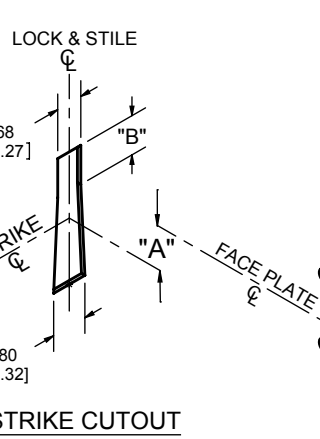
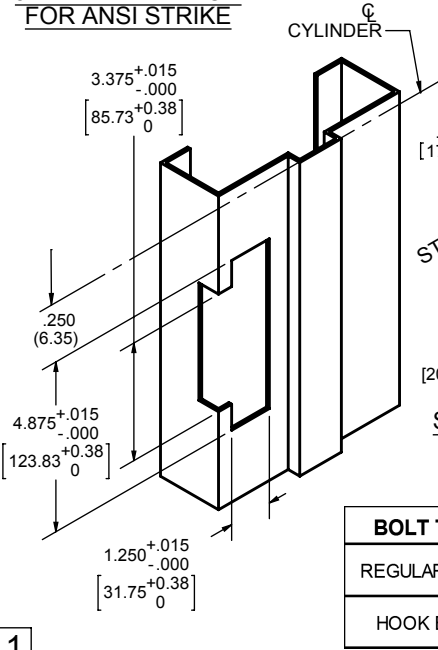


JAM PREPARATION FOR ANSI STRIKE

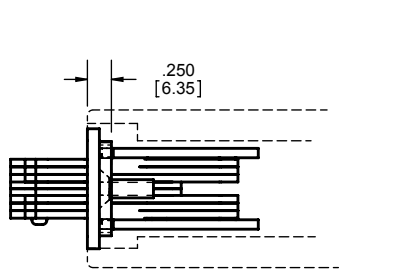


BOLT TYPE	"A"	"B"
REGULAR BOLT	1.125 (28.58)	1.00 (25.4)
HOOK BOLT	1.50 (38.1)	.27 (6.86)

LOCK & CYLINDER INSTALLATION

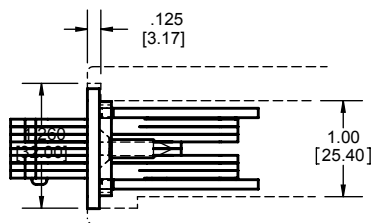
LOCK STILE PREPARATION

1



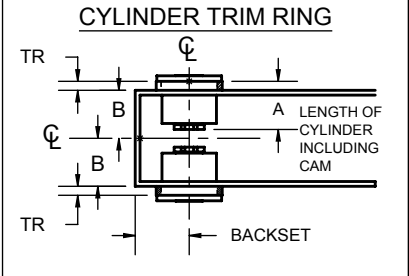
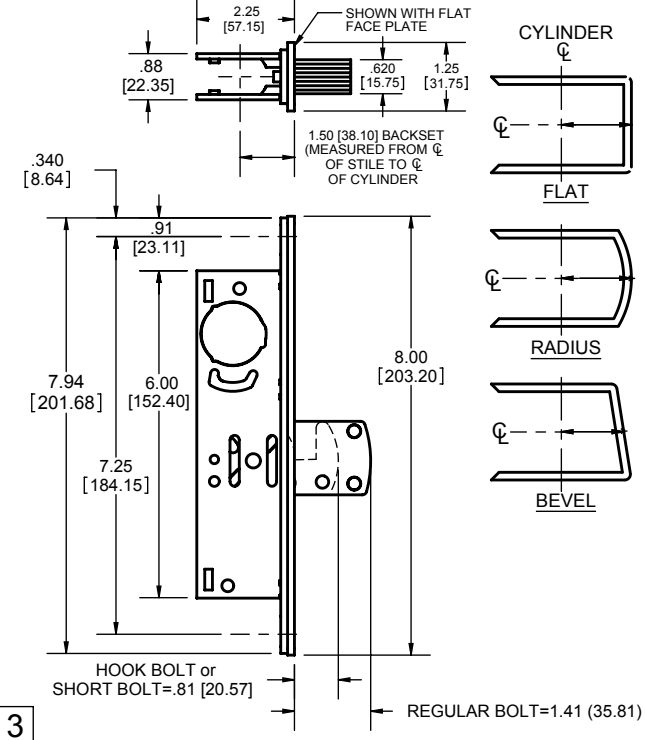
HOLLOW METAL DOOR LOCK INSTALLATION

- #12-24 x 1/2 (M5-48 x 12) FLAT HEAD MACHINE SCREW FURNISHED WITH LOCK.
- LOCK SUPPORT SHALL BE PROVIDED BY DOOR MANUFACTURER.



WOOD DOOR LOCK INSTALLATION

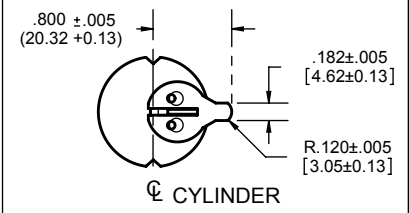
- #12 FLAT HEAD WOOD SCREWS REQUIRED.
- STANDARD PACKAGING INCLUDES MACHINE MOUNTING SCREWS. SPECIFY WOOD SCREWS WHEN REQUIRED.



TRIM RING THICKNESS (TR) WILL VARY WITH SPECIFIC CYLINDER MAKE, NUMBER OF PINS, & SPECIFIC DOOR THICKNESS. TO DETERMINE TRIM RING THICKNESS USE THE FOLLOWING FORMULA:

$$TR = A + .125 - B \quad (3.17)$$

2



MS 1850 ANSI SERIES LOCKS ARE OPERABLE BY ANY STANDARD 1 5/32" DIAMETER (29.37) MORTISE CYLINDER WITH SPECIAL MS CAM DIMENSIONED AS ABOVE. CYLINDERS WITH MS CAMS CAN BE READILY OBTAINED FROM MOST CYLINDER MANUFACTURERS.

RELATED HARDWARE AND OPTIONAL ACCESSORIES

- ARMORED STRIKES (STEEL REINFORCED) ARE AVAILABLE FOR USE IN ALUMINUM OR HOLLOW METAL JAMBS.
 - TRIM STRIKES (WITH OR WITHOUT DUST BOX) ARE AVAILABLE FOR USE IN ALUMINUM, HOLLOW METAL OR WOOD JAMBS.
SEE 4000, 4001 AND 4002 FOR INFORMATION ON ITEMS 1 AND 2 ABOVE.
 - CYLINDERS ARE AVAILABLE FROM ADAMS RITE KEYED DIFFERENT OR KEYED ALIKE IN SETS.
 - CYLINDER GUARD - SPECIFY MS 4043.
 - EXIT INDICATOR - SPECIFY 4089.
- SEE CATALOG FOR ADDITIONAL DETAILS.

4

AVAILABLE FACE PLATES	CATALOG No.
FLAT	1850 ANSI
RADIUS	1851 ANSI
LEFT BEVEL	1852 ANSI (LH)
RIGHT BEVEL	1852 ANSI (RH)

5



www.adamsrite.com
Phone: 800-626-7590
800-872-3267
Fax: 866-582-4641
800-232-7329

MS1850 ANSI INSTALLATION INSTRUCTIONS
Date: 06-18-12
80-0180-4 Rev. F Ecn 11955A Appvd: MP