

SECURITRON GLASS DOOR MAGNALOCK MOUNTING SYSTEM MODELS GDB AND AKG; INSTALLATION INSTRUCTIONS

1. DESCRIPTION

To securely mount Magnalocks to 100% glass doors, Securitron offers its Model GDB Glass Door Bracket and AKG Adhesive Kit for Glass. The bracket is affixed directly to the glass via a specially engineered adhesive and the strike plate is then affixed to the bracket conventionally.

2. SAFETY WARNING

Glass doors are intrinsically fragile and subject to breakage. Breaking a glass door not only costs the value of the door but **can result in possible injury**. Addition of the Magnalock to the door will introduce a stop point in the swing of the door which may break the glass if the door is able to "slam" closed. To forestall this, the door **must have a closer mechanism** which will insure gentle movement for the final few inches prior to the door closing. These closers are adjustable for latch speed which is the speed the door is allowed to move just before it reaches the closed position. It must be assured that the closer is functioning and that **latch speed is set as slow as possible or damage and possible injury may result**.

3. USE OF THE BRACKET

The bracket includes a tapped 5/16" center hole which receives the strike mounting screw. A shorter strike mounting screw and shorter roll pins are supplied with the bracket which replace the ones furnished in the standard hardware pack. Since the bracket is mounted by adhesive, it must be flat. One surface of the bracket has been fly cut for perfect flatness. The installer must identify this surface. This is done by observation of a fine pattern of curved grooves in the surface. It is this surface that must be used against the glass.

4. USING THE ADHESIVE

The adhesive is a Loctite anaerobic designed specifically for this application. If the adhesive is properly used, it will provide a permanent bond stronger than the glass itself. To achieve this result the following instructions on use of the adhesive should be strictly followed.

The installer must accurately determine where the bracket should go on the door and mark this position with a grease pencil or other similar technique. **This is crucial as once the adhesive has set, it is virtually impossible to reposition, or for that matter to remove the bracket.** In selecting a position for the bracket, **note that the strike is larger than the bracket** and that in most applications, the idea is to align the top of the strike plate just below the top of the door so that it will mate with the magnet face and yet not scrape against the door header. Take the time to be sure that you have identified the proper position for the bracket for the specific installation.

If the glass is dirty, it should be cleaned with water. The surface of the glass should then be lightly roughened with the enclosed emery paper. The fly cut side of the bracket should then be vigorously abraded with the emery paper. This step removes the aluminum oxide layer and is crucial to creating a good bond.

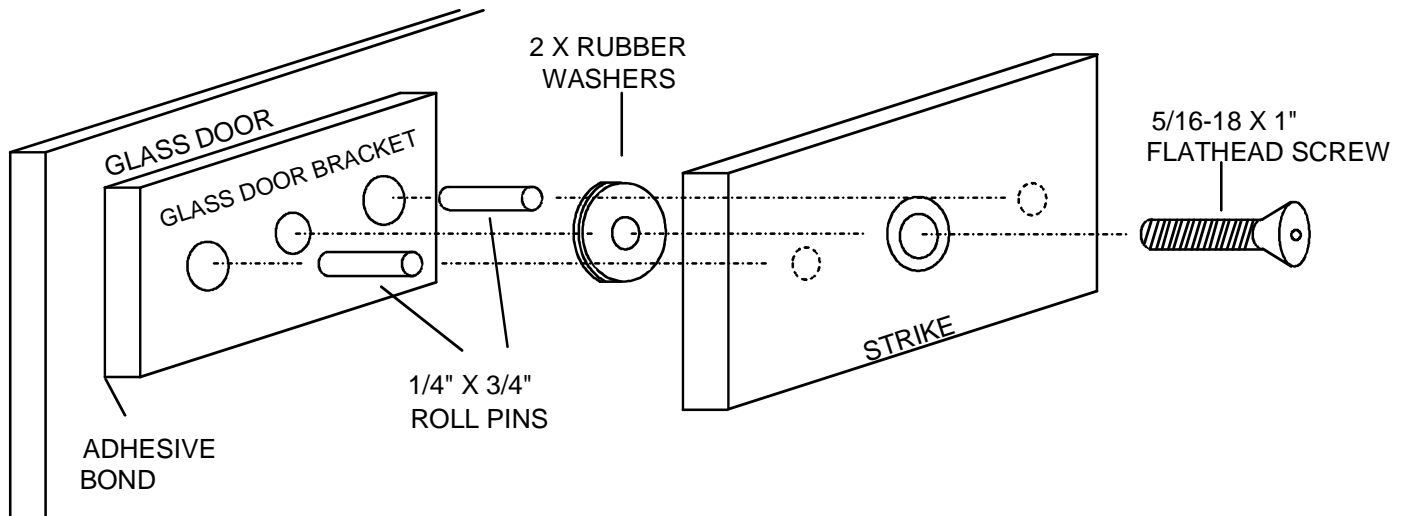
Final cleaning for both surfaces should then be done via the enclosed isopropyl alcohol wipes. The alcohol should be allowed to dry for a minute or so. Once the alcohol has been used, neither surface should be touched.

Primer "N" should then be sprayed lightly onto both the aluminum and glass. Allow 5 minutes to dry. Do not touch either surface.

Adhesive should then be applied to the bracket. Apply it liberally as the excess will squeeze out and can be cleaned off easily. Make sure adhesive covers the bracket out to the edges. The bracket should then be clamped against the glass. Moderate clamping pressure is sufficient. Careful clamping of the bracket is vital as the bracket will have a tendency to slide as the clamp is turned and can easily get out of position. Successful techniques to avoid this happening include taping a piece of wood or metal to the glass to act as a block to prevent the bracket from sliding, or making it a two man job where one man holds the bracket steady and the other tightens the clamp.

If the bracket slides a bit it can be repositioned only if this is done very quickly. The adhesive will set in about 2 minutes. The clamp, however, should be left on for about 30 minutes to provide a stronger set. The strike may then be installed, but if it does not delay the job, it is wise to wait 2 hours before putting pressure on the bracket. Full cure of the adhesive takes about 12 hours. Curing time is dependent on temperature. The higher the temperature, the more rapidly curing occurs. If temperature is below 60 degrees F, the clamp should be left in position for 60 minutes.

Adhesive which is squeezed out from the bracket will not cure. Anerobic adhesive will only cure in the absence of oxygen which occurs only between the glass and the aluminum. Excess adhesive can therefore be cleaned up with a razor blade or non petroleum based solvent.



BE SURE THAT BRACKET IS POSITIONED CORRECTLY BEFORE GLUING
 BE SURE THAT FLY CUT SIDE OF BRACKET FACES GLASS

5. APPLICATION OF DRESS PLATE

A stainless steel self adhesive "dress plate" is included with the GDB bracket. It is intended that this plate be affixed to the outside of the glass door to improve the appearance of the installation. The plate will prevent viewing the glass door bracket through the glass, from the outside.