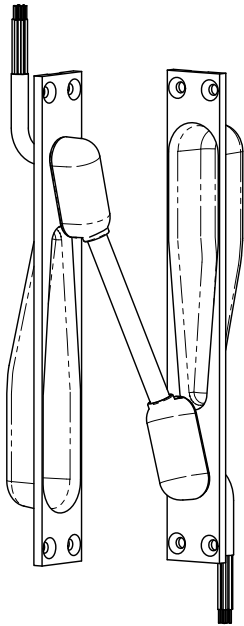


**CONCEALED ELECTRICAL POWER TRANSFER SERIES CEPT  
INSTALLATION INSTRUCTIONS**

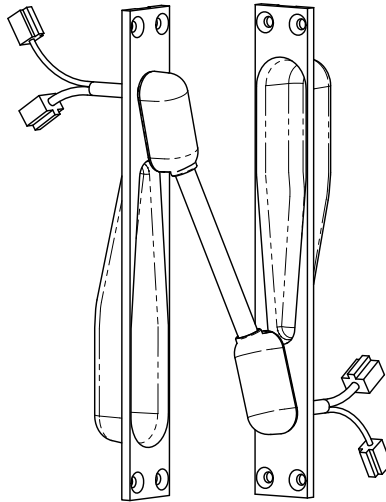
**PRODUCT COMPATIBILITY NOTE:** The Securitron CEPT will NOT operate properly on openings with the following door/frame/hinge configurations:

- Offset Pivots
- Pocket Pivots
- Center Hung Doors
- Butt Hinges over 6"
- Swing Clear Hinges
- Balanced Doors

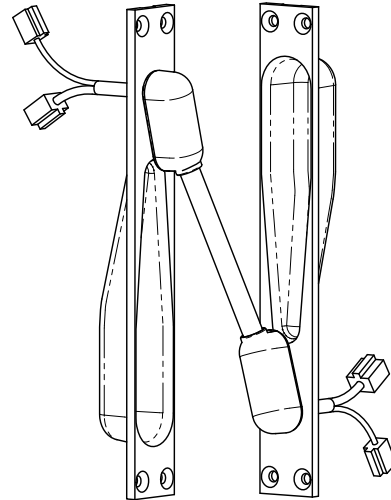
**Available CEPT Models:**



**CEPT-10**  
Traditional Connect  
10 Wire (2 + 8)  
(2) Wire Nut  
+ (8) Crimp



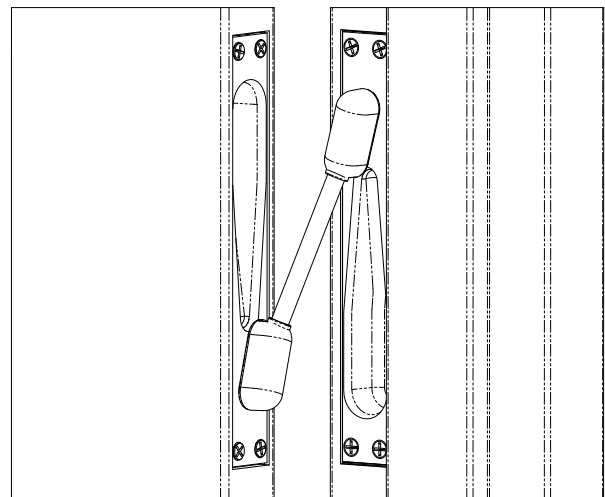
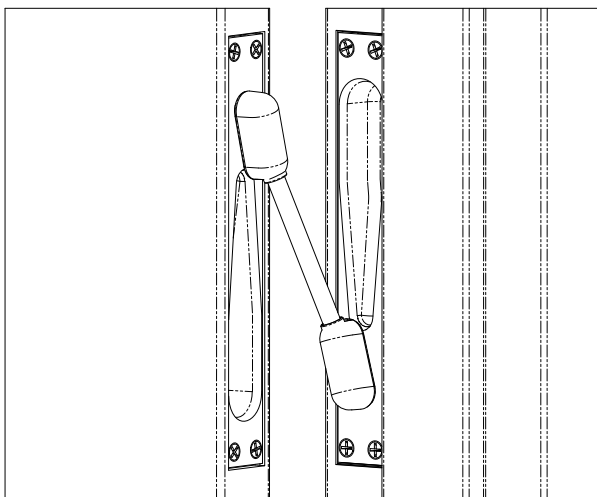
**EL-CEPT**  
ElectroLynx®  
(Assa Abloy)  
12 Wire (8 + 4)  
Connectors: 8 Pin + 4 Pin



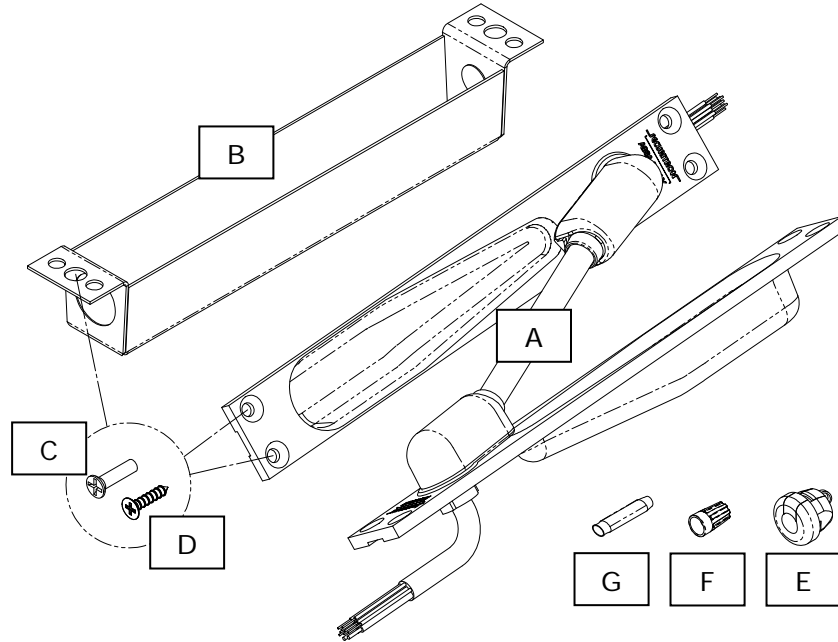
**CEPT-C5E**  
CAT 5e  
(TIA/EIA-568-B Compatible)  
9 Wire (8 + 1)  
Connectors: 6 Pin + 4 Pin

**DESCRIPTION**

The Concealed Electrical Power Transfer CEPT unit is designed to provide a secure multiple wire power and/or data transfer between a door frame and door. The unit mounts directly between the frame and door along the hinged edge and is available in three multi-wire configurations. The CEPT is non-handed, allows mechanical (hinged) movement of the door and is totally concealed when the door is fully closed. This manual provides the information required to successfully install a CEPT to a standard hinged door opening.



**Components included with this Product:**



| Item | Description  | Quantity |
|------|--|----------|
| A    | CEPT Assembly  | 1        |
| B    | Back Box   | 2        |
| C    | Screws, 10-24 x 3/4" Phillips Flat Head Undercut (for metal) | 13       |
| D    | Screws, #10 x 3/4" Phillips Flat Head (for wood)             | 13       |
| E    | Strain Relief Bushing  | 2        |
| F    | Wire Nut (CEPT-10 Only)                                      | 4        |
| G    | Dolphin™ Connector (CEPT-10 Only)                            | 17       |

**RECOMMENDED TOOLS**

**Basic for Factory Prepped Door Install:**

- Hammer
- Flat Tip Screwdriver: 1/4"
- Phillips Screwdriver: #2
- Wire Strippers/Crimpers
- Pliers

**Additional for More Detailed Install:**

- Center Punch
- Drill Motor & Bits
- Reciprocating Saw & Blades
- Router & Bits
- Chisel
- Metal File

**SPECIFICATIONS**

**Physical**

For proper installation and operation of the CEPT, the thickness of the door should be 1-3/4" minimum. The door opening limitations listed here apply to a (1-3/4") door equipped with the following hinge sizes and configurations.

**Door Hinge Configuration:**

- Up to 5" Butt Hinge
- 5-1/2" Butt Hinge
- 6" Butt Hinge

**Door Opening Angle Range:**

- 0-180°
- 0-130°
- 0-110°

## Electrical

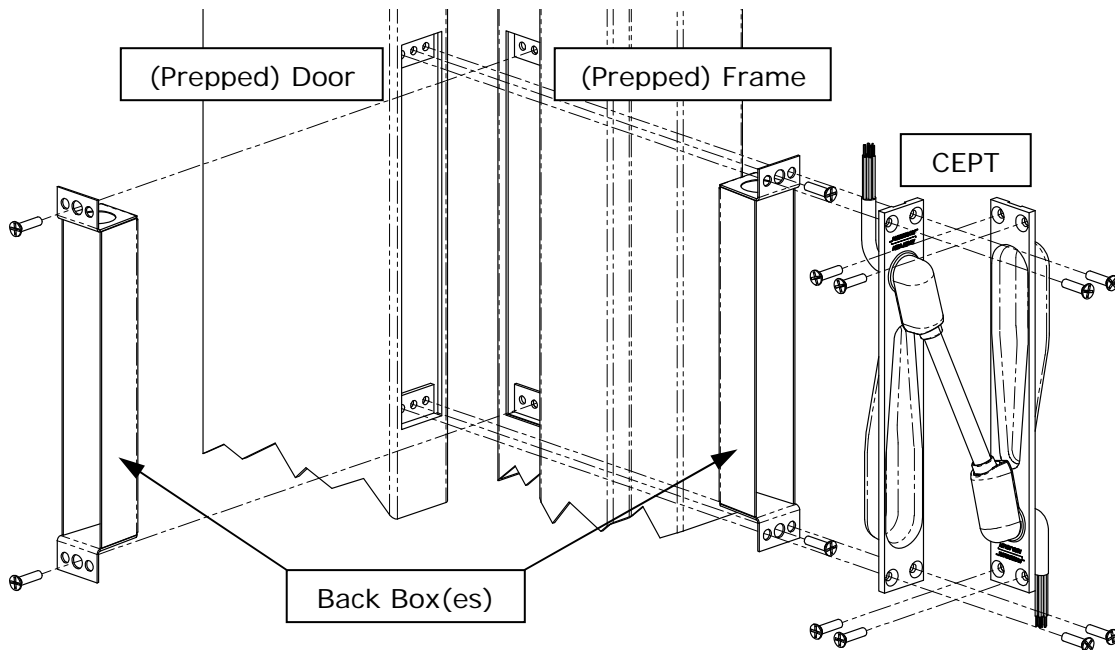
The following chart shows the electrical specifications for each CEPT model.

| MODEL    | TYPE               | WIRE SIZE/QTY | CURRENT LIMIT (Per Wire) |
|----------|--------------------|---------------|--------------------------|
| CEPT-10  | 10 Wire (2+8)      | 18 AWG/2      | Max. 5A                  |
|          |                    | 22 AWG/8      | Max. 1A                  |
| EL-CEPT  | ElectroLynx® (8+4) | 22 AWG/12     | Max. 1A                  |
| CEPT-C5E | CAT 5e (8+1)       | 24 AWG/8      | Max. 1A                  |
|          |                    | 22 AWG/1      | Ground (Max. 1A)         |

## INSTALLATION INSTRUCTIONS

**NOTE: The CEPT should always be mounted above the second hinge from the floor.**

The CEPT was designed primarily to be installed into a factory prepped door and frame. However, the unit can be installed into an un-prepped door and frame by following the specific instructions provided on the product installation diagram. The following exploded illustration shows the included hardware required to properly install a CEPT to a factory prepped door opening (CEPT-10 shown).

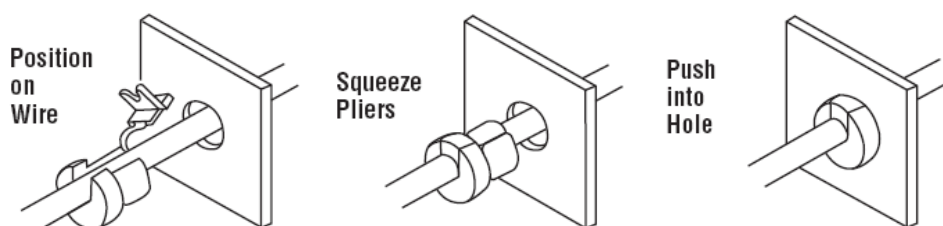


To install the CEPT to a factory prepped door and frame:

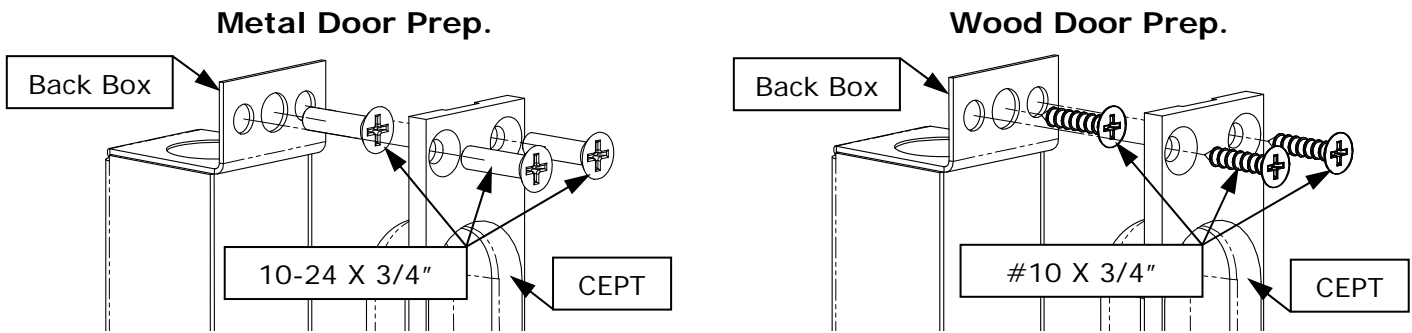
- Route/pull utility wires/cable through the prepped holes in door and frame.
- Pop out the desired knock-out hole in the back box.

### Notes:

1. Back boxes are normally required to meet fire code requirements.
  2. The 7/8" diameter knock-out holes in the back boxes are provided for EMT type electrical conduit fittings.
  3. The 5/8" diameter knock-out holes are for use of the provided strain relief bushings.
- To install the strain relief bushing, lay the utility cable (not included) into the slotted opening in the bushing allowing a sufficient wire length (loop) for making connections. Fold the hinged retainer over the cable, squeeze together using pliers and then insert through the 5/8" [15.9mm] knock-out in the back box.



- When required, install the appropriate connectors for ElectroLynx® or CAT 5e (not included) to the end of your utility cable.
- Using a #2 Phillips screwdriver, attach each back box to the door and/or frame using the 10-24 x 3/4" long screws (for metal) or the #10 x 3/4" long screws (for wood). These screws are to be placed through the center hole in each flange of the back box.



- Make connections to the CEPT by:
  - Using the connectors (EL-CEPT or CEPT-C5E models).
  - Using the provided wire nuts for connection of the two (2) 18 AWG wires - and by using the Dolphin™ (crimp type) connectors to make the appropriate connections to the remaining 22 AWG wires (CEPT-10 model).
- Using a #2 Phillips screwdriver, assemble each side of the CEPT to the door and frame using the 10-24 x 3/4" long screws (for metal) or the #10 x 3/4" long screws (for wood). These screws are to be placed through the four corner holes in the face flange of each of the CEPT housings and also through the outer (clearance) holes in the back box.

**MAGNACARE® LIFETIME REPLACEMENT WARRANTY**

For warranty information visit [www.securitron.com/en/site/securitron/About/MagnaCare-Warranty/](http://www.securitron.com/en/site/securitron/About/MagnaCare-Warranty/)