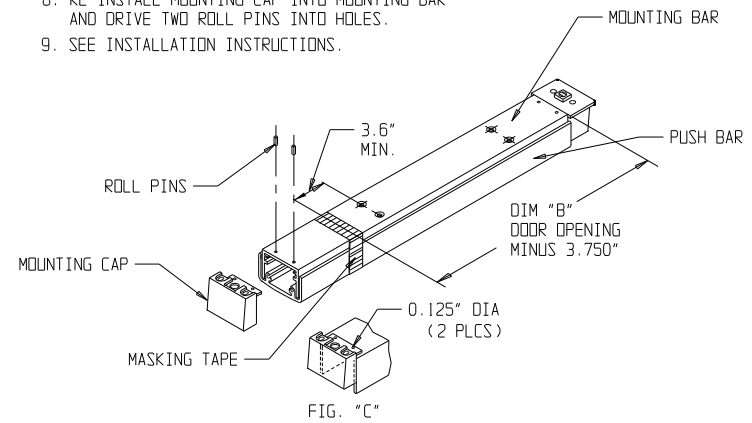


PRODUCT MUST BE INSTALLED
ACCORDING TO ALL APPLICABLE
BUILDING AND LIFE SAFETY CODES

BACKSET 1.05"	DOOR OPENING WIDTH			
	30"	36"	42"	48"
DIM A	27.25	33.25	39.25	45.25

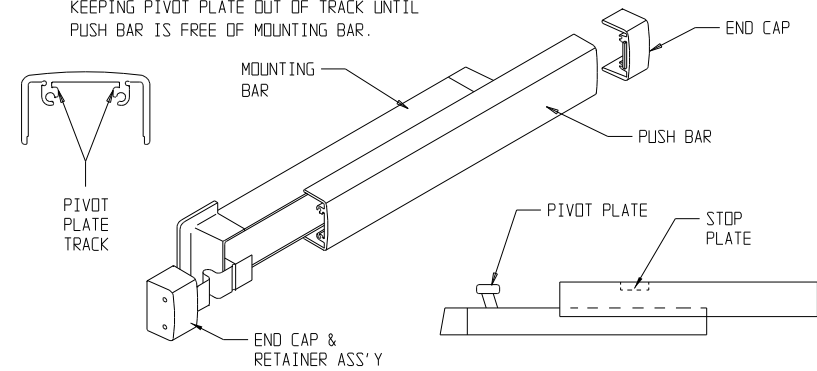
CUT-OFF INSTRUCTIONS FOR NON-STANDARD DOORS

1. DRIVE OUT TWO ROLL PINS.
2. REMOVE MOUNTING CAP.
3. COLLAPSE BAR AND TAPE DOWN IN THE AREA OF CUT-OFF.
4. DETERMINE EXTRUSION LENGTH ("B" DIM). (NOTE: 3.6" MINIMUM DIMENSION FROM RIVET CENTERLINE TO NEW CUT-OFF LENGTH AS SHOWN).
5. MEASURE MOUNTING BAR (NOT PUSH BAR), AND MARK EXTRUSION LENGTH ON TAPE.
6. SAW OFF EXCESS LENGTH, REMOVE TAPE AND DEBURR.
7. LAY MOUNTING CAP OVER MOUNTING BAR (FIG "C"), AND USE AS A GUIDE TO DRILL 0.125" DIA HOLES.
8. RE-INSTALL MOUNTING CAP INTO MOUNTING BAR AND DRIVE TWO ROLL PINS INTO HOLES.
9. SEE INSTALLATION INSTRUCTIONS.



SEPARATING PUSH BAR AND MOUNTING BAR PROCEDURE

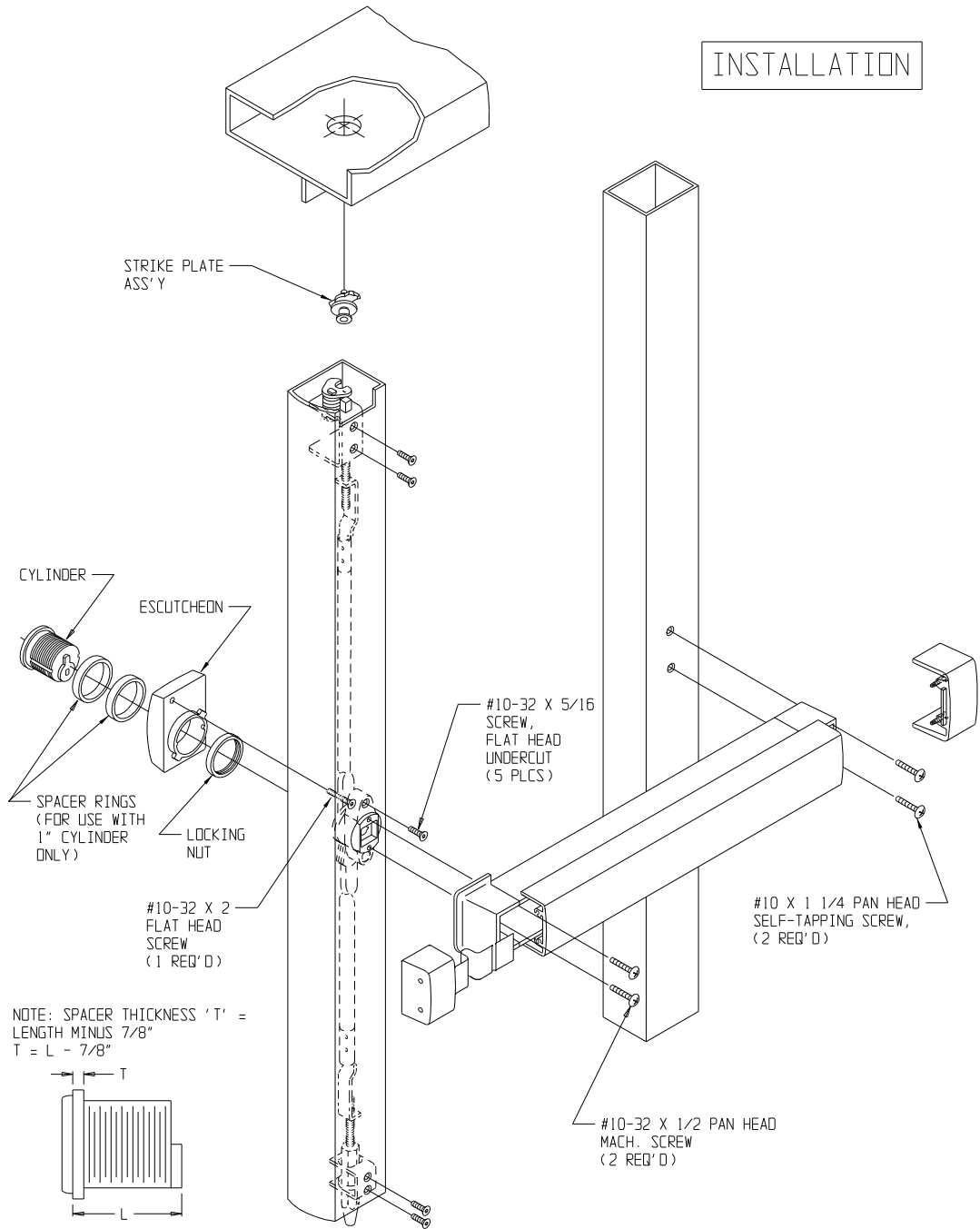
1. REMOVE BOTH END CAPS. THE RETAINER IS ATTACHED TO THE NOSE END CAP.
2. SLIDE PUSH BAR TOWARD HINGE SIDE OF DOOR.
3. CONTINUE TO SLIDE PUSH BAR PAST THE PIVOT PLATE THAT RIDES IN PUSH BAR TRACK.
4. SLIDE PUSH BAR IN OPPOSITE DIRECTION KEEPING PIVOT PLATE OUT OF TRACK UNTIL PUSH BAR IS FREE OF MOUNTING BAR.



INSTALLING PUSH BAR TO MOUNTING BAR

1. WITH PUSH BAR IN HAND AND MOUNTING BAR ATTACHED TO DOOR, FIND STOP PLATE STAKED INTO PUSH BAR. (THIS PLATE IS ON THE LATCH END OF ASSEMBLED UNIT). SLIDE THE PIVOT PLATE NEAREST HINGE INTO TRACK OF PUSH BAR UNTIL SECOND PIVOT PLATE IS EXPOSED. INSERT PIVOT PLATE INTO TRACK ON PUSH BAR AND SLIDE IN OPPOSITE DIRECTION UNTIL PUSH BAR AND MOUNTING BAR ALIGN.

INSTALLATION

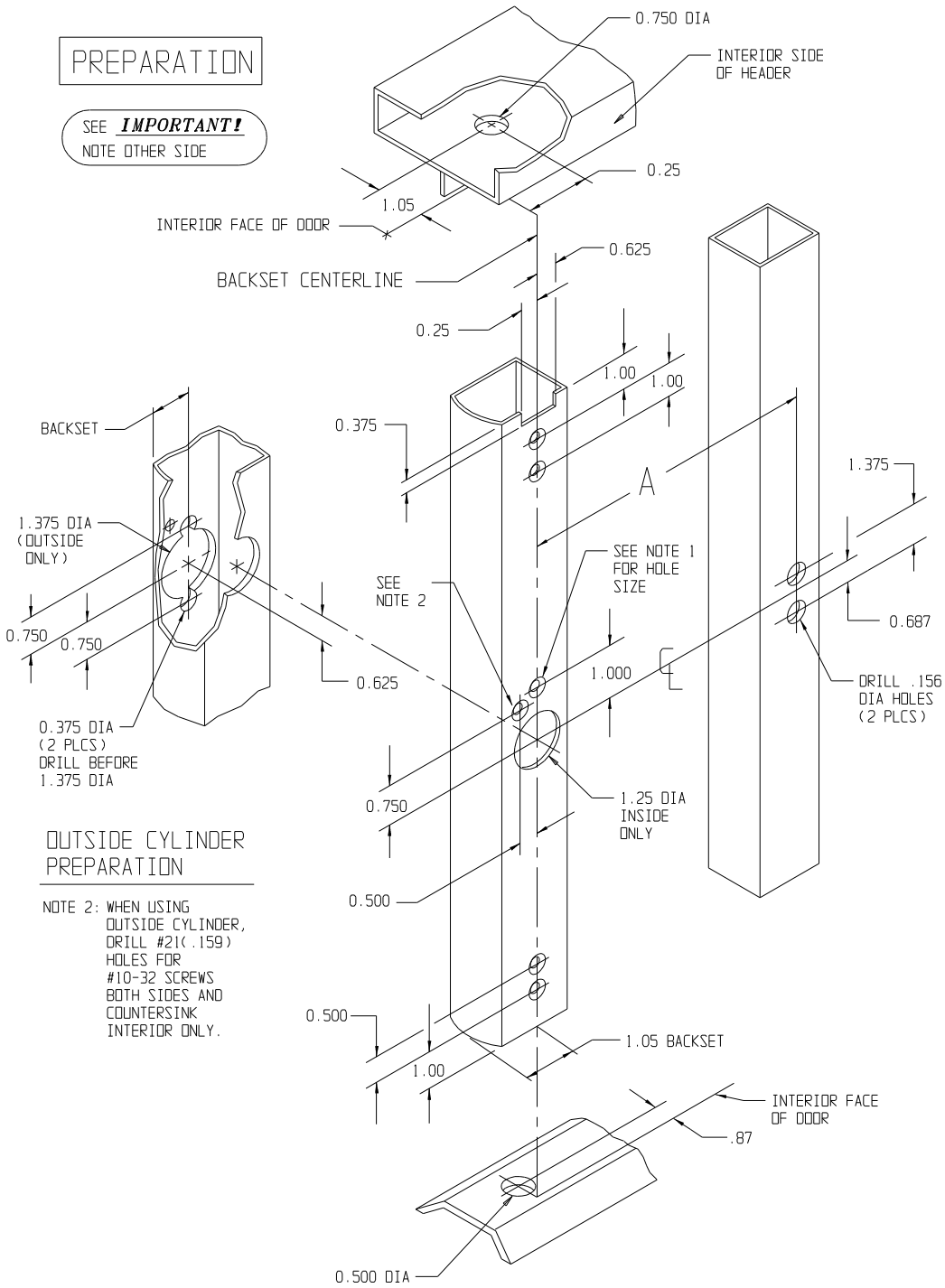


NOTE: SPACER THICKNESS 'T' = LENGTH MINUS 7/8"
T = L - 7/8"

METRIC EQUIVALENTS											
INCHES	MM	INCHES	MM	INCHES	MM	INCHES	MM	INCHES	MM	INCHES	MM
0.125	3,18	0.687	17,45	1.250	31,75	27.25	692,15	42	1066,80	5/16	7,92
0.250	6,35	0.750	19,05	1.375	34,92	30	762,00	45.25	1149,35	5/8	15,88
0.375	9,52	0.87	22,10	2.000	50,80	33.25	844,55	48	1219,20		
0.500	12,70	1.00	25,40	3.6	91,44	36	914,40				
0.625	15,87	1.05	26,67	3.750	95,25	39.25	996,95				

PREPARATION

SEE **IMPORTANT!**
NOTE OTHER SIDE



OUTSIDE CYLINDER
PREPARATION

NOTE 2: WHEN USING
OUTSIDE CYLINDER,
DRILL #21(.159)
HOLES FOR
#10-32 SCREWS
BOTH SIDES AND
COUNTERSINK
INTERIOR ONLY.

NOTE 1: DRILL #21(.159) AND COUNTERSINK 5 HOLES FOR #10-32 FLAT HEAD SCREWS.
NOTE: THESE DIMENSIONS AND TEMPLATES ASSUME A DOOR 1.75" THICK WITH 1/8" STILE WALL.
DOORS WITH OTHER THICKNESS OR WALL WILL REQUIRE MODIFICATION TO THE DEVICE AND TO TEMPLATES (H) AND (F).



www.adamsrite.com
Phone: 800-626-7590
800-872-3267
Fax: 866-582-4641
800-232-7329

80-0180-51

Rev. P

8600 EXIT DEVICE

Ecn 11955B

Date: 06/25/12

INSTALLATION INSTRUCTIONS

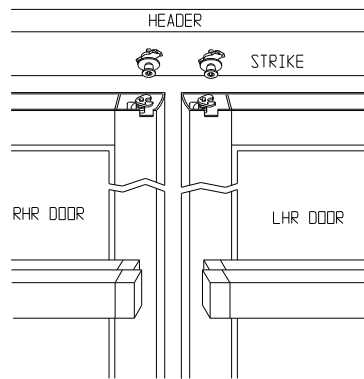
Page 1 of 2

Appvd: MP

Date: 07/06/12

INSTALLATION INSTRUCTION CHECKLIST

ADAMS RITE
SERIES **8600** EXIT
DEVICE

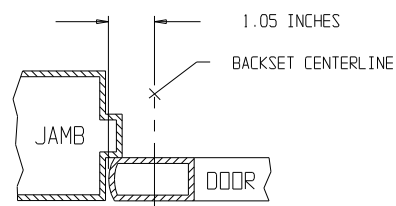


IMPORTANT!

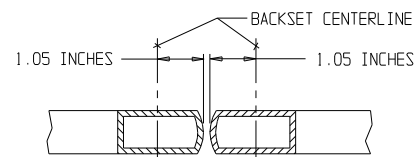
This device is unhandled. It can be installed in either left hand reverse or right hand reverse doors without alteration. The doors' lead stile and header preparation are IDENTICAL *not* mirror image. Note in the sketch above that the yoke type bolt *always* faces right (as viewed from inside) and the strike post is toward the right of the backset centerline for *both* doors.

NOTE STEPS 1 THRU 9 ARE MORE EASILY ACCOMPLISHED IF DOOR IS NOT INSTALLED IN FRAME.

HOW TO FIND BACKSET

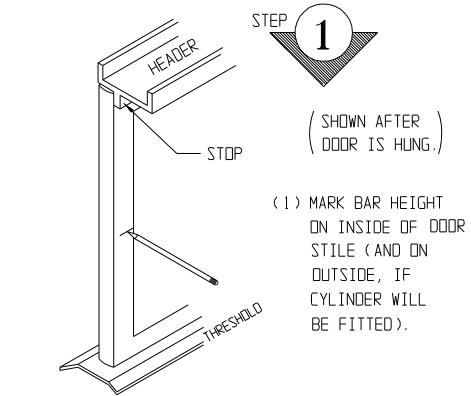


SINGLE DOOR

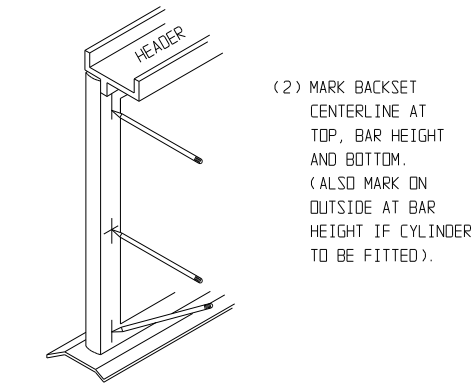


BEVEL STILE AND FLAT STILE APPLY TO SINGLE DOOR ONLY.

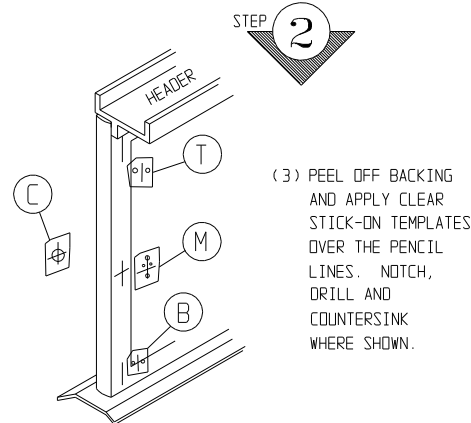
PAIR DOOR



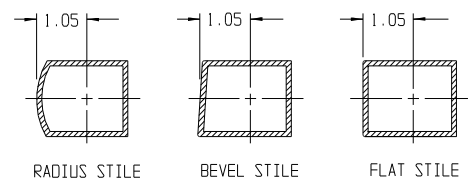
STEP 1
(SHOWN AFTER DOOR IS HUNG.)
(1) MARK BAR HEIGHT ON INSIDE OF DOOR STILE (AND ON OUTSIDE, IF CYLINDER WILL BE FITTED).



(2) MARK BACKSET CENTERLINE AT TOP, BAR HEIGHT AND BOTTOM. (ALSO MARK ON OUTSIDE AT BAR HEIGHT IF CYLINDER TO BE FITTED).

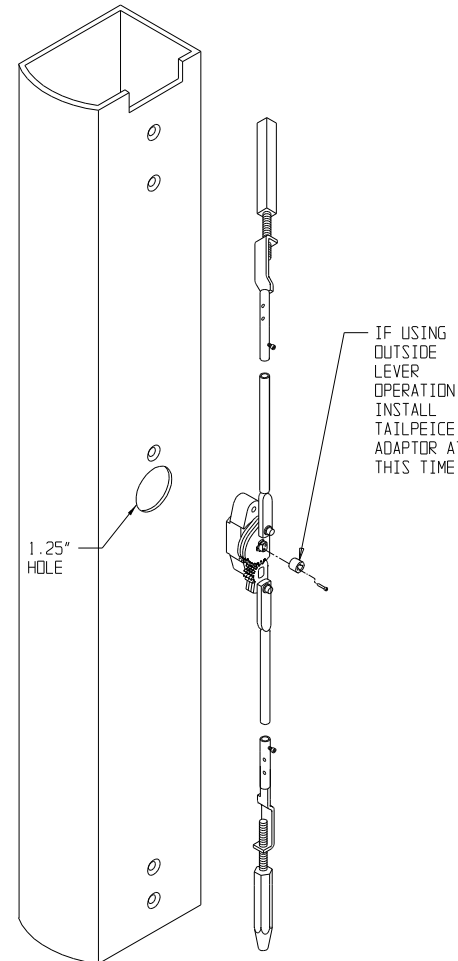


(3) PEEL OFF BACKING AND APPLY CLEAR STICK-ON TEMPLATES OVER THE PENCIL LINES. NOTCH, DRILL AND COUNTERSINK WHERE SHOWN.



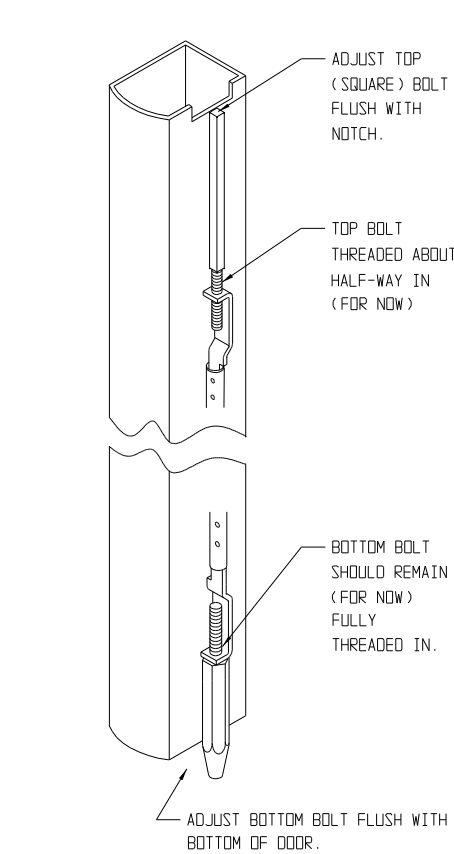
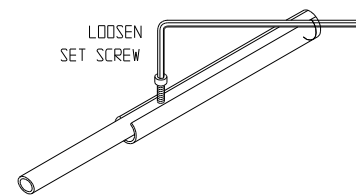
BACKSET IS MEASURED AT DOOR CENTERLINE, NOT THE EDGE.

STEP 3
LAY ROD MECHANISM ON PREPARED DOOR WITH GEAR PLATES OUTWARD AND CASTING RESTING IN 1 1/4" DIAMETER HOLE IN DOOR AS SHOWN BELOW.

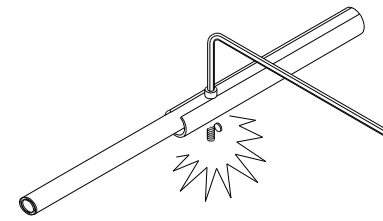


IF USING OUTSIDE LEVER OPERATION, INSTALL TAILPEICE ADAPTOR AT THIS TIME

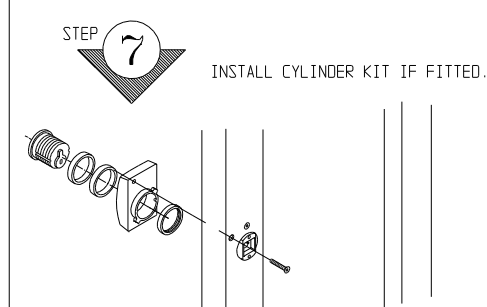
STEP 4
ADJUST RODS TO APPROXIMATE LENGTH. (ROUGH ADJUSTMENT FOR NOW)



STEP 5
WHEN ROUGH ADJUSTMENT OF RODS IS CORRECT, TIGHTEN METAL-PIERCING SCREWS ALL THE WAY THRU TUBE. YES! ALL THE WAY THROUGH AND TIGHT.



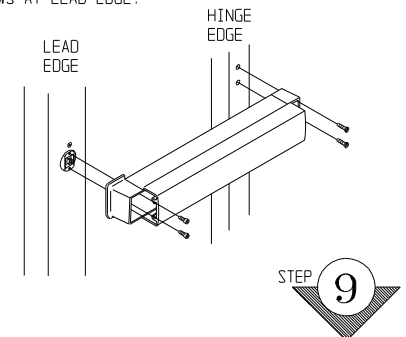
STEP 6
SLIP ROD MECHANISM INTO DOOR AND SECURE WITH SCREW.
(YOU CAN USE ONE OF THE SCREWS AS A TEMPORARY HANDLE TO POSITION CASTING).
WITH SLOT IN VERTICAL POSITION



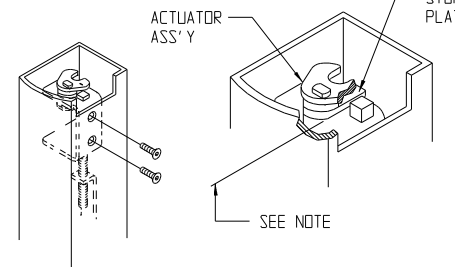
STEP 7
INSTALL CYLINDER KIT IF FITTED.

STEP 8
SEPARATE PUSH BAR FROM MOUNTING BAR AS SHOWN ON REVERSE OF THIS SHEET. SECURE MOUNTING BAR TEMPORARILY IN LEVEL POSITION AND MARK HINGE SIDE FOR MOUNTING HOLES.

REMOVE BAR, DRILL .156" DIA HOLES AT HINGE EDGE. INSTALL BAR WITH TWO #10 X 1 1/4" SELF-TAPPING SCREWS AT HINGE EDGE AND TWO #10-32 X 1/2" MACHINE SCREWS AT LEAD EDGE.

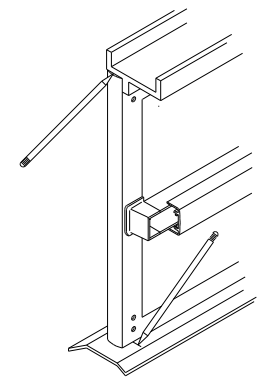


INSTALL TOP BOLT ACTUATOR ASSEMBLY AND SECURE WITH TWO SCREWS. WITH ASSEMBLY IN LOCKED POSITION AND PUSH BAR RELEASED, END OF SQUARE BOLT SHOULD ENGAGE STOP PLATE AS SHOWN. (FOR FINE ADJUSTMENT, REMOVE ACTUATOR ASSEMBLY, ADJUST BOLT UP OR DOWN AND REINSTALL ASSEMBLY).

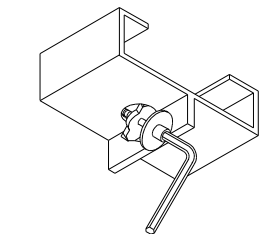


NOTE: SQUARE BOLT MUST BE FLUSH WITH TOP OF STOP PLATE.

STEP 10
INSTALL DOOR IN FRAME. MARK BACKSET CENTERLINE ON HEADER AND THRESHOLD. ALSO MARK WHERE FACE OF CLOSED DOOR RESTS. APPLY CLEAR TEMPLATES (H) AND (F) AND DRILL STRIKE HOLES.



STEP 11
POSITION STRIKE PLATE ASSEMBLY ON HEADER. THEN, TIGHTEN SECURELY WITH HEX WRENCH.



STEP 12
(1) HOLD DOOR OPEN.
(2) DEPRESS AND RELEASE PUSH BAR.
(3) ADJUST BOTTOM BOLT SO IT CLEARS THRESHOLD BY 1/8" AS DOOR CLOSES.
(4) INSTALL BOTTOM GUIDE AND SECURE WITH TWO SCREWS.

