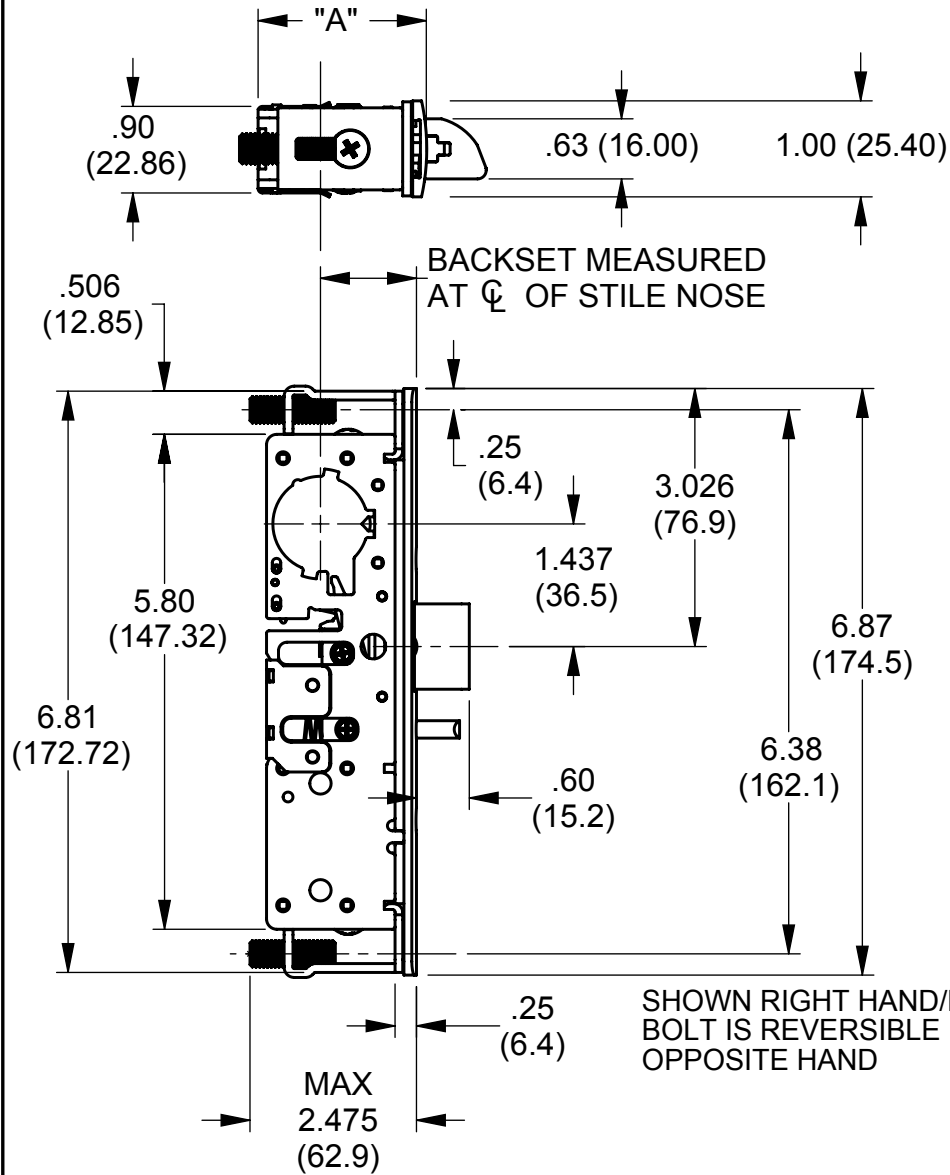


DIMENSIONS

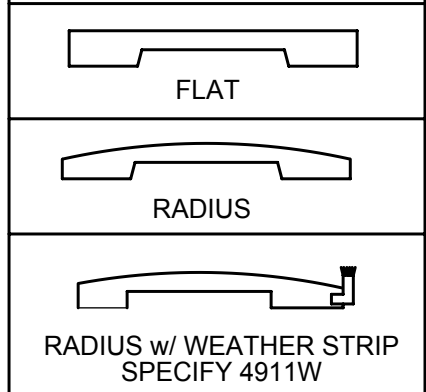
INCHES
(MILLIMETERS)



BACKSET	"A"
1-1/8" (28.6)	1.76 (44.7)
1-1/2" (38.1)	2.14 (54.3)

AVAILABLE FACEPLATES

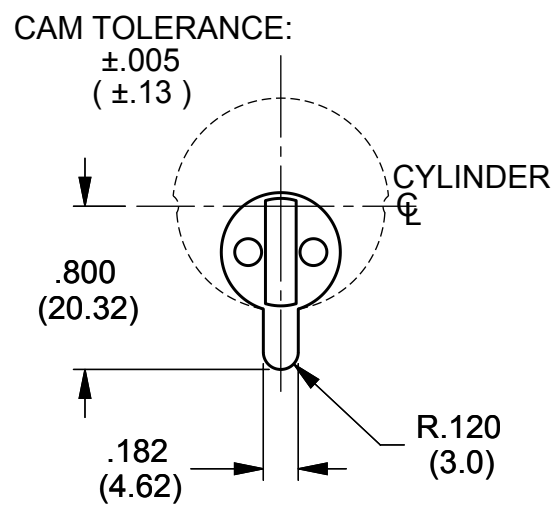
1" x 6-7/8"



FLAT FACE PLATE CAN BE ADJUSTED FOR RIGHT OR LEFT BEVELED EDGE DOORS

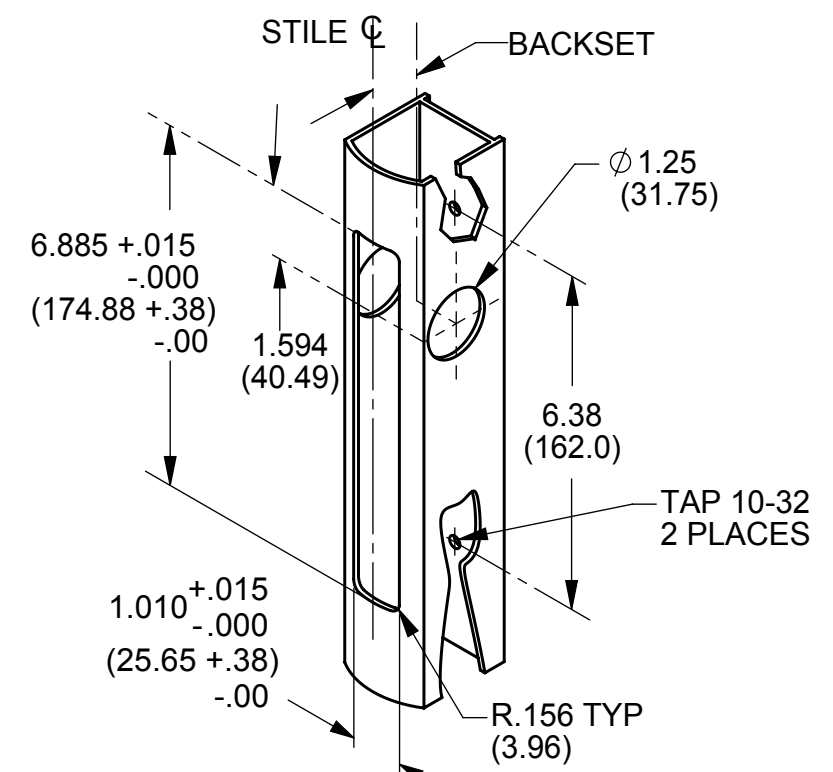
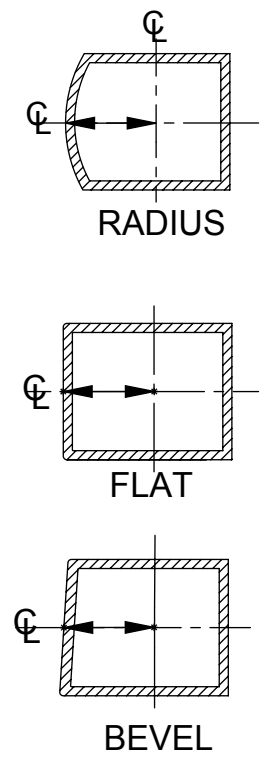
CYLINDER CAM

4900 Series Deadlatches are operable by any standard 1-5/32" diameter mortise cylinder with special MS® cam dimensioned as shown. Cylinders with MS® cams can be readily obtained from most cylinder manufacturers. See catalog for cylinder make and trim ring information.

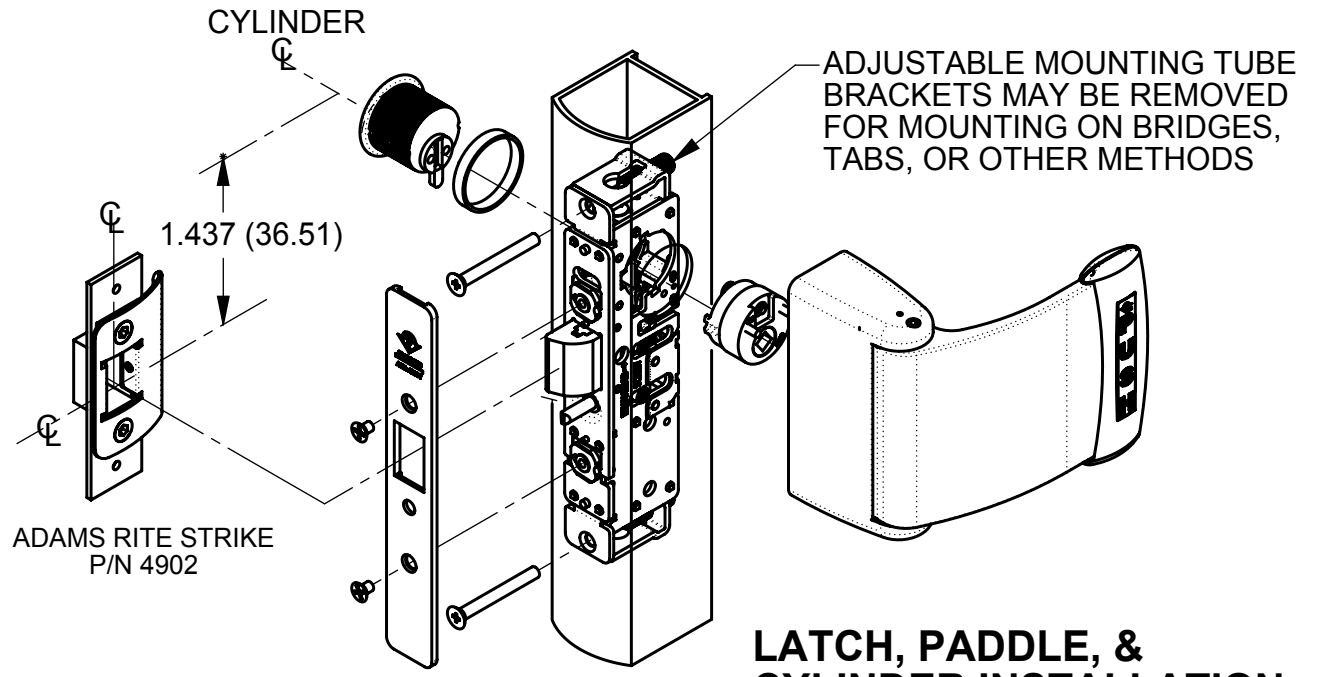


INSTALLATION

HOW BACKSET IS MEASURED



STILE PREPARATION (IDENTICAL TO MS1850S SERIES)



PRODUCT MUST BE INSTALLED ACCORDING TO ALL APPLICABLE BUILDING AND LIFE SAFETY CODES

Adams Rite
www.adamsrite.com
Phone: 800-626-7590
800-872-3267
Fax: 866-582-4641
800-232-7329

4900 SERIES DEADLATCH

80-0180-349

Rev. E

ECN: 11955B

Date: 06/28/12

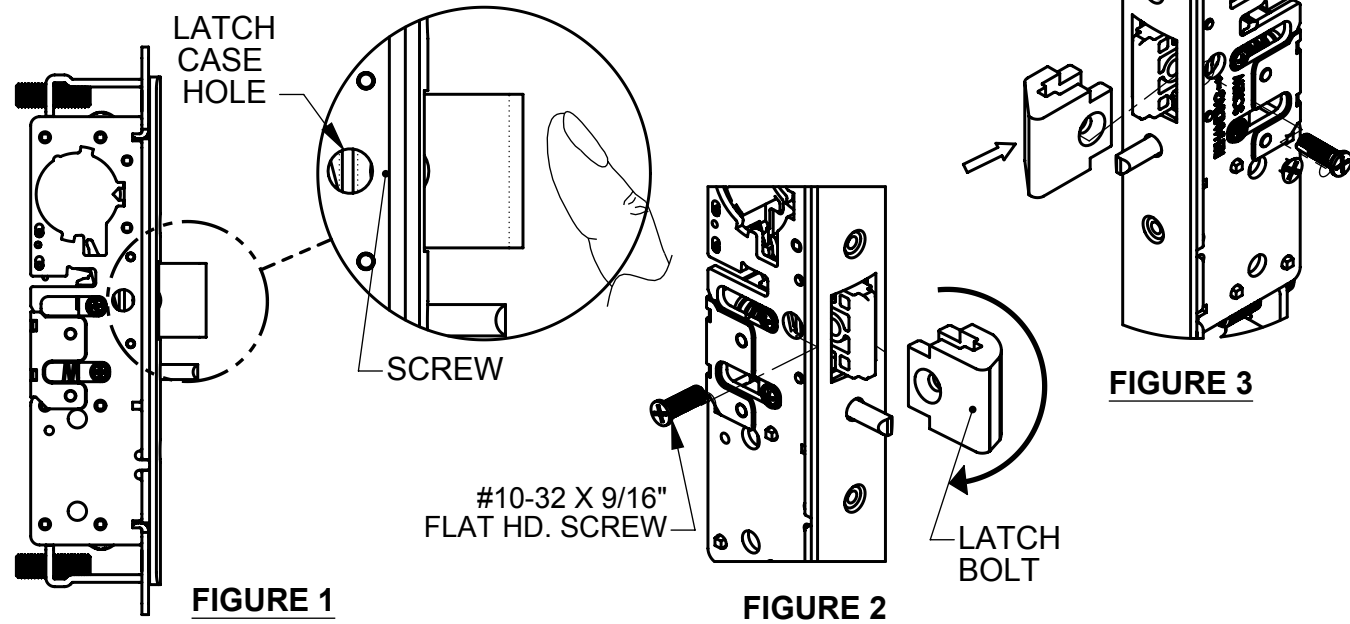
INSTALLATION INSTRUCTIONS

Page 1 of 2 Appvd: MP Date: 07/06/12

ASSA ABLOY

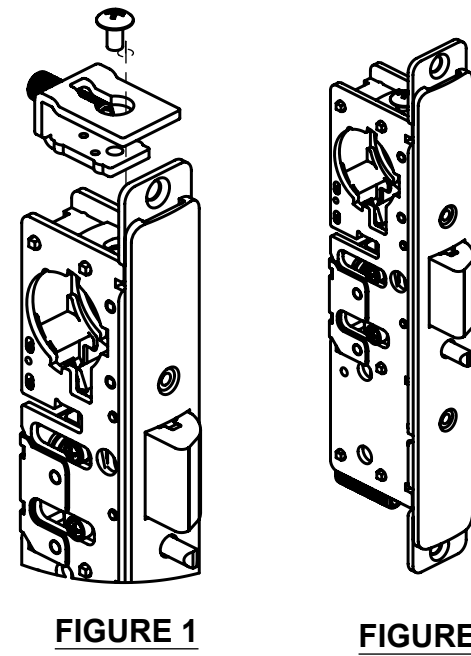
RE-HANDING

Depress latchbolt until #10-32 x 9/16" screw can be seen through the latch case hole (Fig. 1). Remove and rotate latch bolt to the opposite hand (Fig. 2). Depress latchbolt until the countersink screw hole on the latchbolt can be seen through the case hole. Insert and fasten #10-32 x 9/16" screw (Fig. 3).



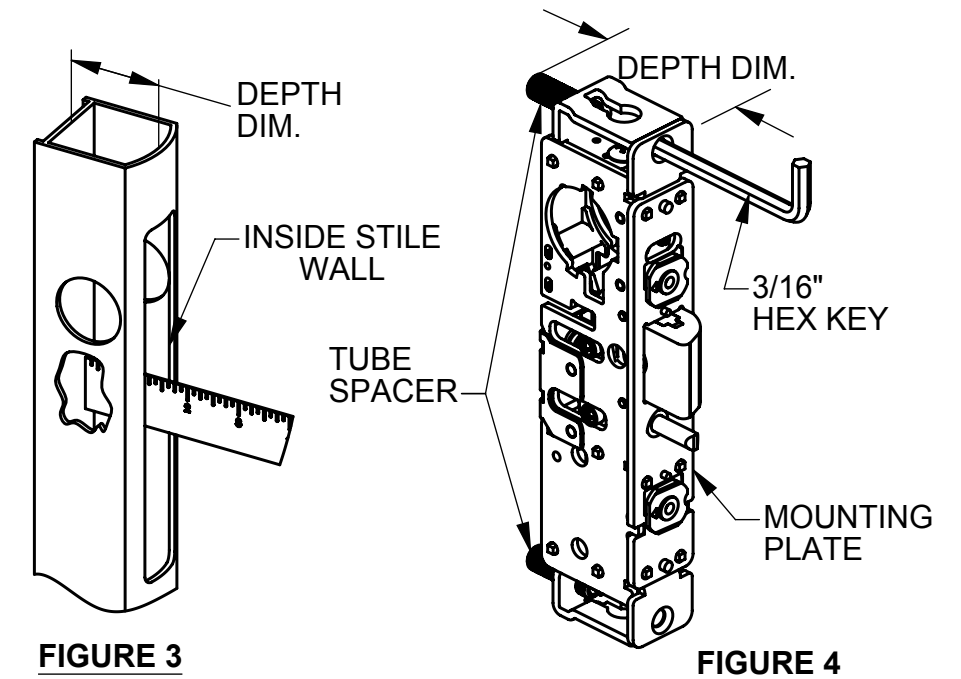
FOR MOUNTING TAB INSTALLATIONS

Remove top and bottom #8-32 x 5/16" truss hd. screw (Fig. 1) as shown. Remove yoke, and refasten #8-32 x 5/16" truss hd. screw (Fig. 2).



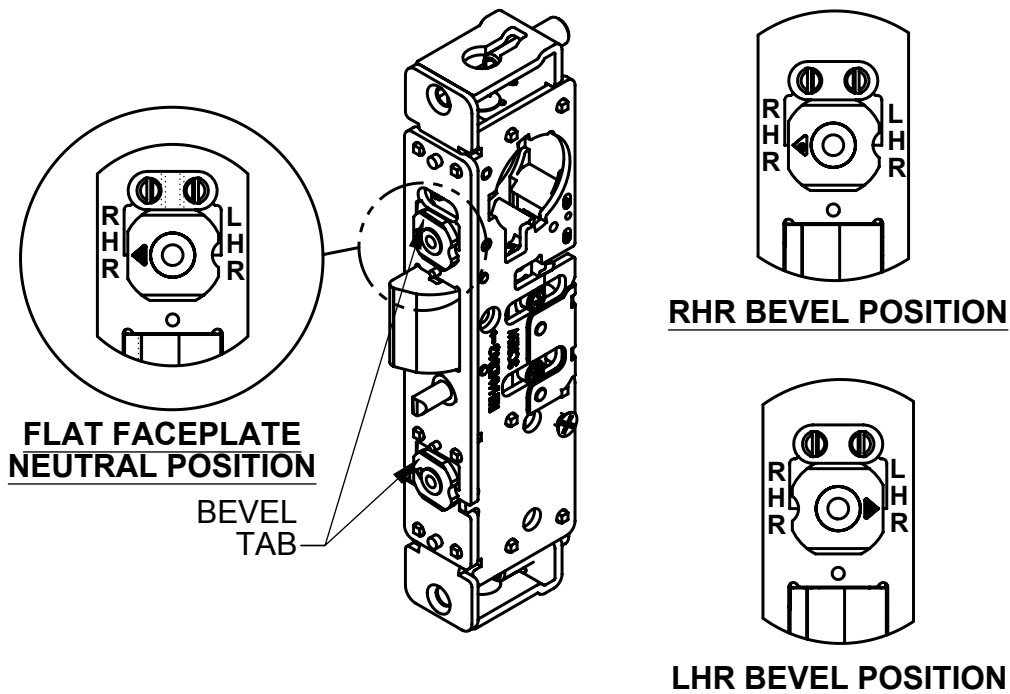
FOR TRADITIONAL MOUNTING INSTALLATIONS

Measure the depth from the back of the stile to the inside wall of door edge (Fig. 3). Match the distance from the face of mounting plate to end of tube spacer. Use 3/16" hex key for fine adjustment (Fig. 4).



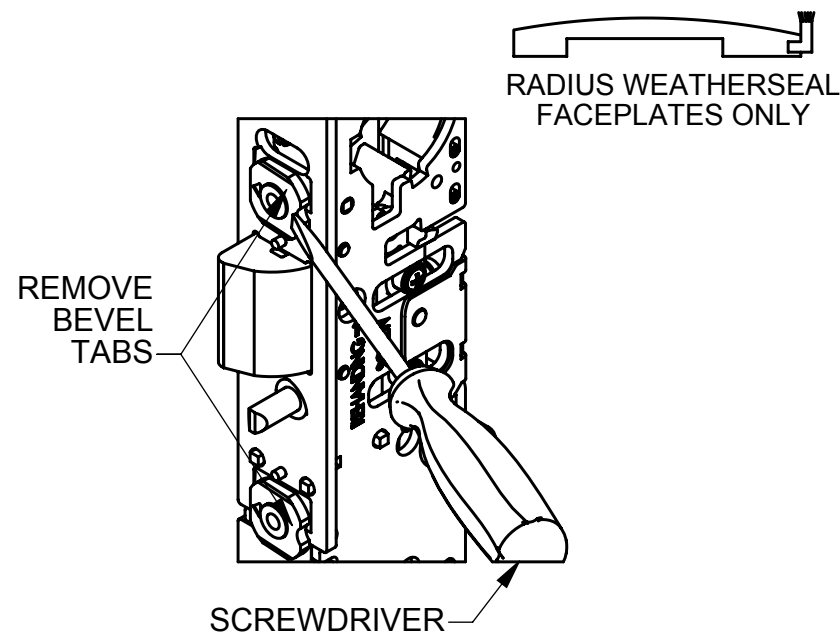
BEVEL ADJUSTMENT

Rotate bevel tab to desired hand. Using the bevel adjustment allows the flat faceplate to work in beveled stiles. Radius and flat faceplates are included.



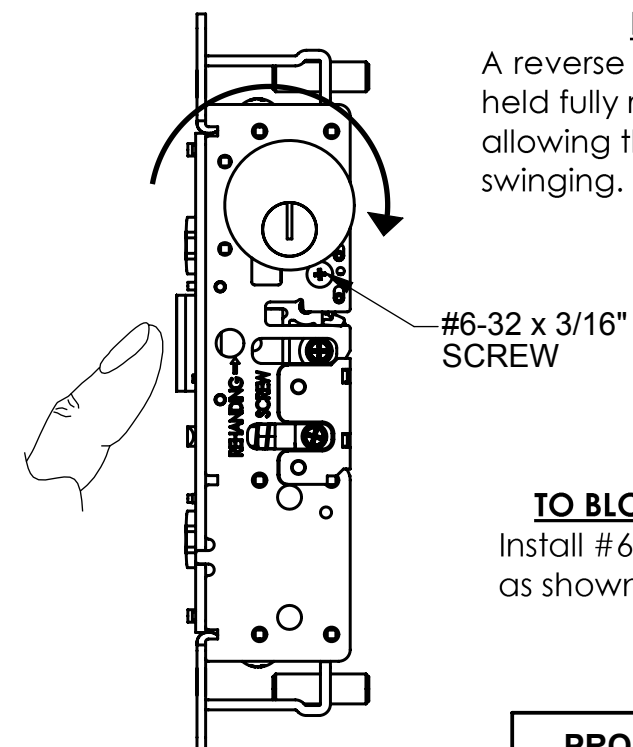
FOR RADIUS WITH WEATHERSEAL FACEPLATE ONLY

With a small screwdriver, remove bevel tabs as shown.



LATCH HOLDBACK

A reverse turn of the key (while bolt is held fully retracted) retains the bolt, allowing the door to be free swinging.



TO BLOCK HOLDBACK FEATURE
Install #6-32 x 3/16" screw into case as shown before installing in door.

**PRODUCT MUST BE INSTALLED
ACCORDING TO ALL APPLICABLE
BUILDING AND LIFE SAFETY CODES**