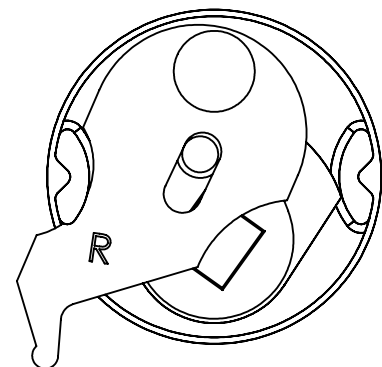


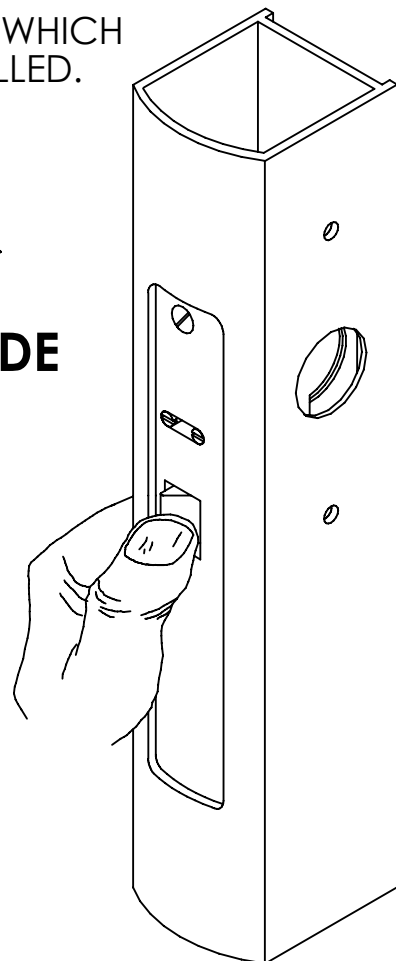
4580 CAM DISC HANDING

LOOKING AT THE EDGE OF THE DOOR, DETERMINE ON WHICH SIDE THE HANDLE OR OTHER OPERATOR IS TO BE INSTALLED.

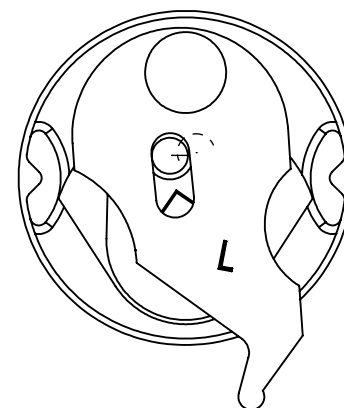


THE CAM DISC MUST BE HANDED AS SHOWN.

ON THIS SIDE

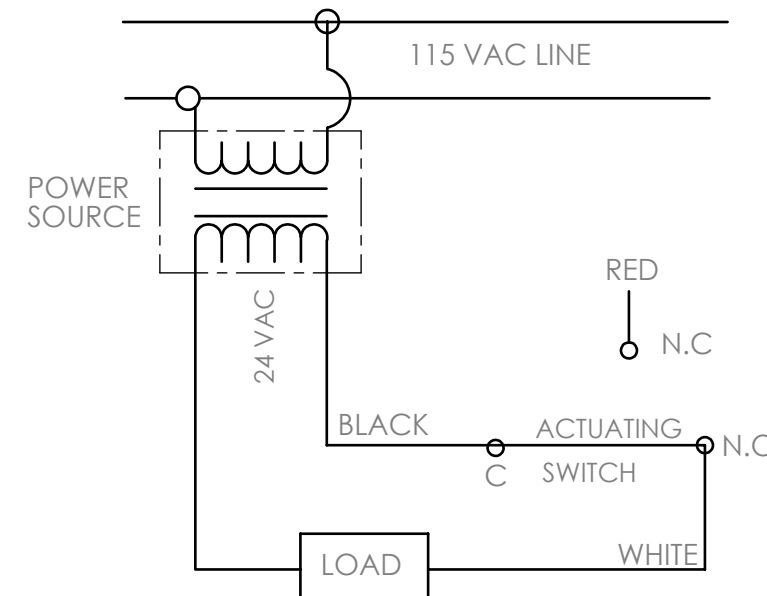


ON THIS SIDE



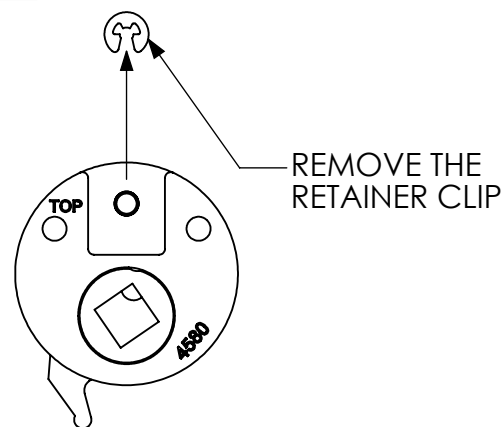
THE CAM DISC MUST BE HANDED AS SHOWN.

SUGGESTED WIRING DIAGRAM

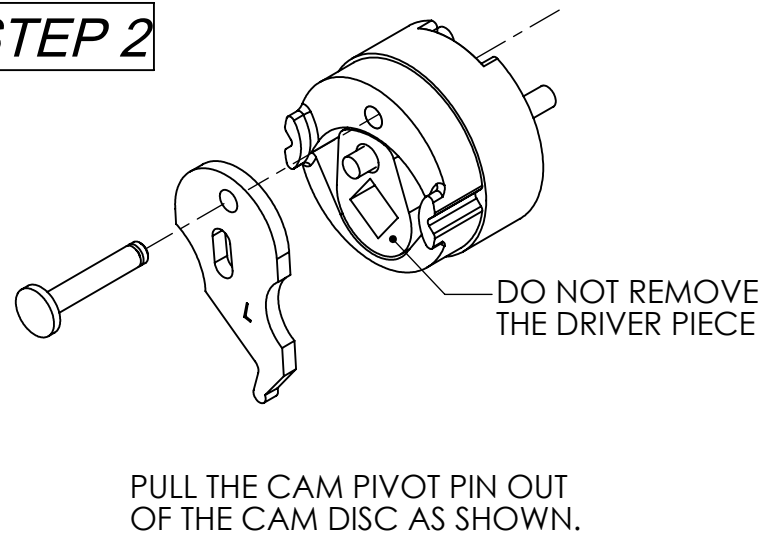


INSTRUCTIONS FOR CHANGING HAND OF 4580 CAM DISC

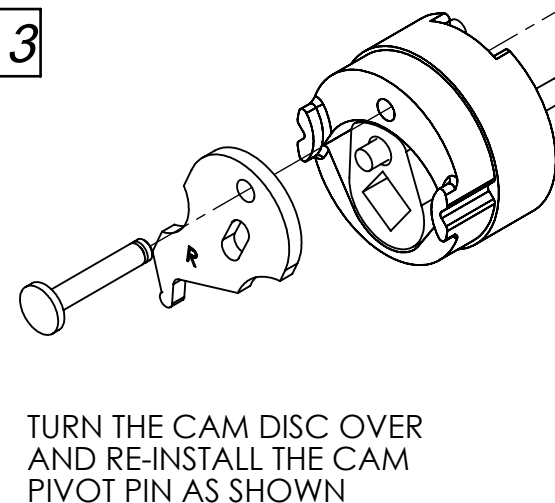
STEP 1



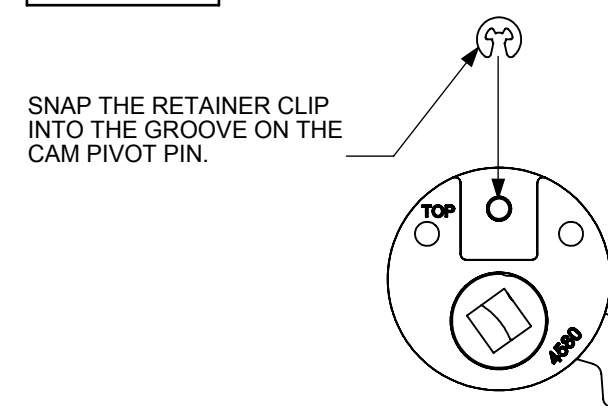
STEP 2



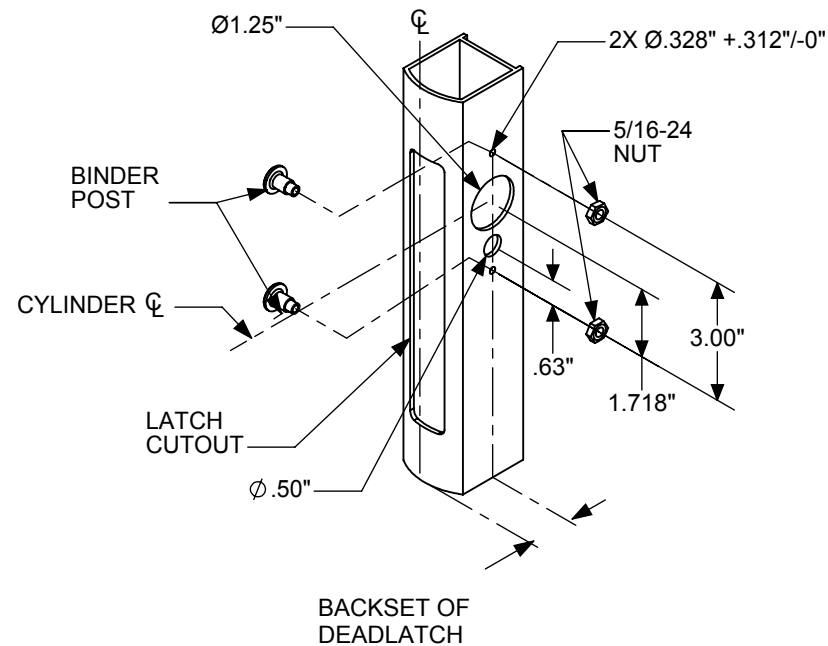
STEP 3



STEP 4

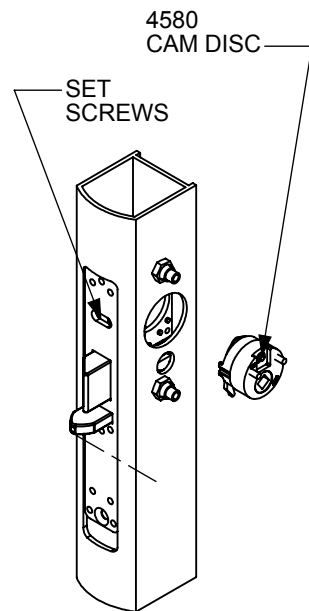


INSTALLATION



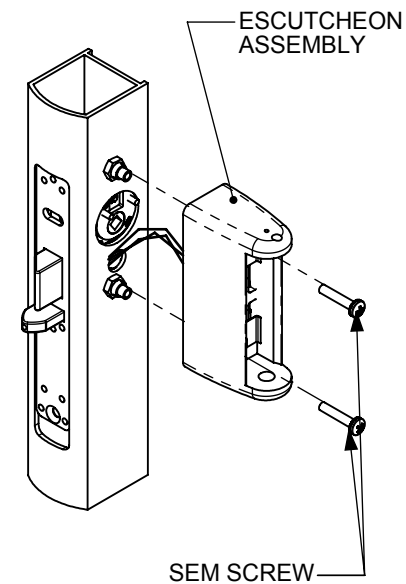
STEP 1

1. PREPARE STILE AS SHOWN.
2. INSERT BINDER POST THRU Ø.328 HOLE IN STILE.
3. SECURE BINDER POST WITH 5/16-24 NUT.



STEP 2

1. INSTALL 4700 SERIES DEADLATCH PER MOUNTING INSTRUCTIONS.
2. INSTALL 4580 CAM DISC ASSEMBLY AND SECURE WITH SET SCREW. (SEE REVERSE FOR CAM DISC HANDING).

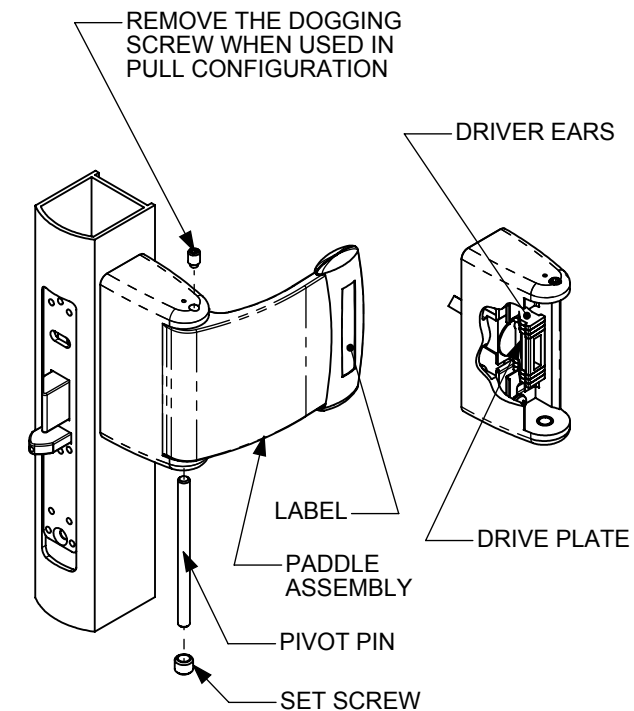


STEP 3

1. INSTALL ESCUTCHEON ASSEMBLY. ROUTE WIRING THRU Ø.50 HOLE.
2. USING 10-32 SEM SCREWS, SECURE ESCUTCHEON ASS'Y. TO BINDER POST.

IMPORTANT

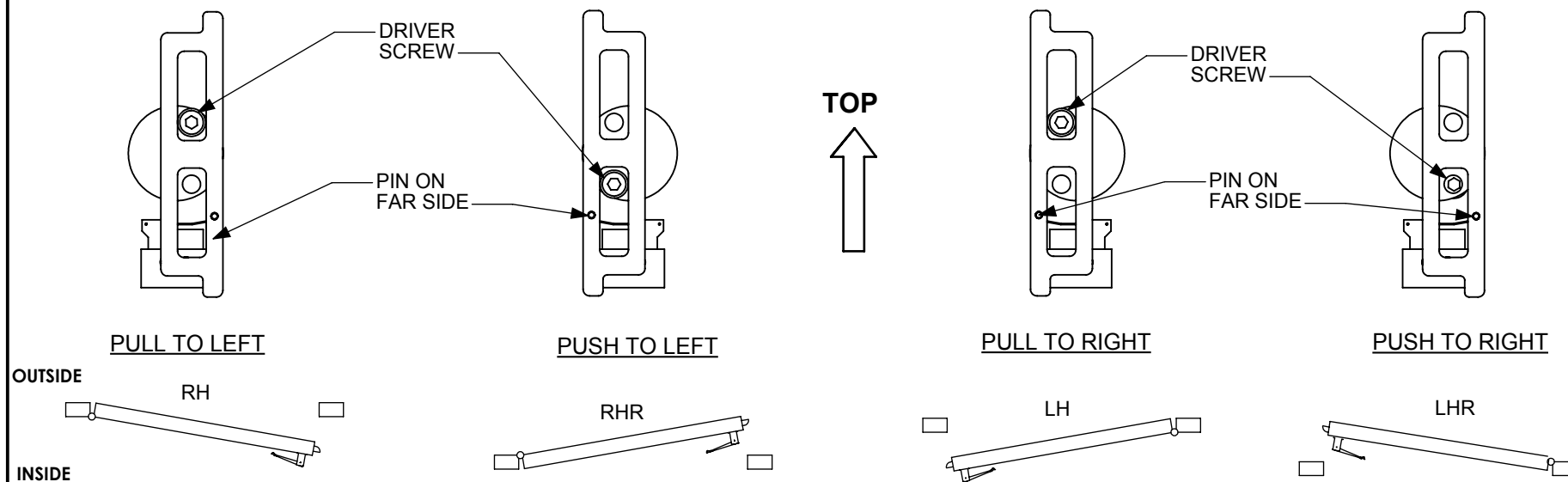
TIGHTEN THESE SCREWS SECURELY.



STEP 4

1. INSTALL PADDLE ASS'Y. ALIGN DRIVE EARS ON PADDLE WITH SLOT IN DRIVER PLATE.
2. INSTALL PIVOT PIN.
3. INSTALL PIVOT PIN SET SCREW. TIGHTEN SET SCREW FLUSH WITH BOTTOM OF ESCUTCHEON.

INSTRUCTIONS FOR CHANGING HAND



1. FIND DESIRED CONFIGURATION.
2. REMOVE KEEPERS TO SEE LOCATION OF SPRING & DRIVER PLATE.

3. REVERSE SWITCH IF NECESSARY.
4. IF NECESSARY, REMOVE SPRINGS AND DRIVER PLATE.

5. MOVE ROLL PIN TO DESIRED LOCATION.
6. REPLACE DRIVER PLATE & SPRING.

7. REMOVE DRIVER SCREW IF NECESSARY AND PLACE IN DESIRED LOCATION.
8. REPLACE KEEPERS.

