

# STEP 1

**NOTE: Not compatible with 7/8" backset locks**

## STILE PREPARATION

1. Remove interior cylinder, thumb-turn or exit indicator.
2. Mark a backset centerline reference on the door stile approximately four inches above and below the existing cylinder hole.
3. Tape clear plastic drilling template over cylinder hole and backset centerline reference.
4. Center punch the four mounting holes, drill and tap for #10-32 screws.
5. If not previously prepared for, center punch and drill two 7/8" holes for the exit indicator.

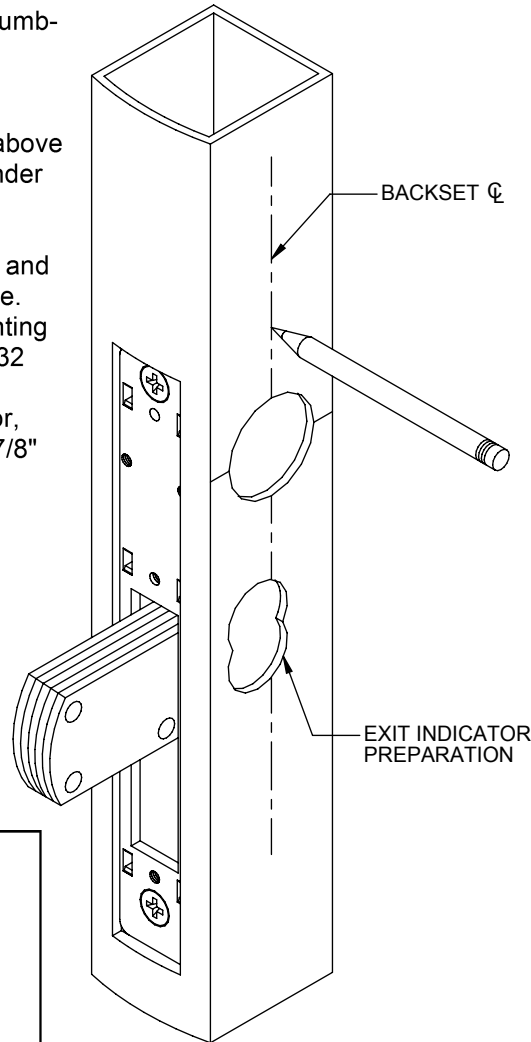


FIG. 1

# STEP 2

## CAM ASSEMBLY INSTALLATION

1. Rotate the actuating hub so that the cam arms as shown in Fig. 2.
2. Insert the cam assembly into the lock case (fig. 3).
3. Tighten the cylinder set screw.
4. Install and tighten (snug only) the two #6-32 x 1/2" brass socket head cap screws to secure the Cam Assembly. Do Not Over Tighten!
5. Rotate the actuating hub to check operation.

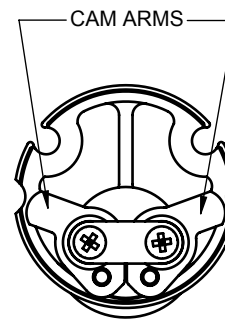


FIG. 2

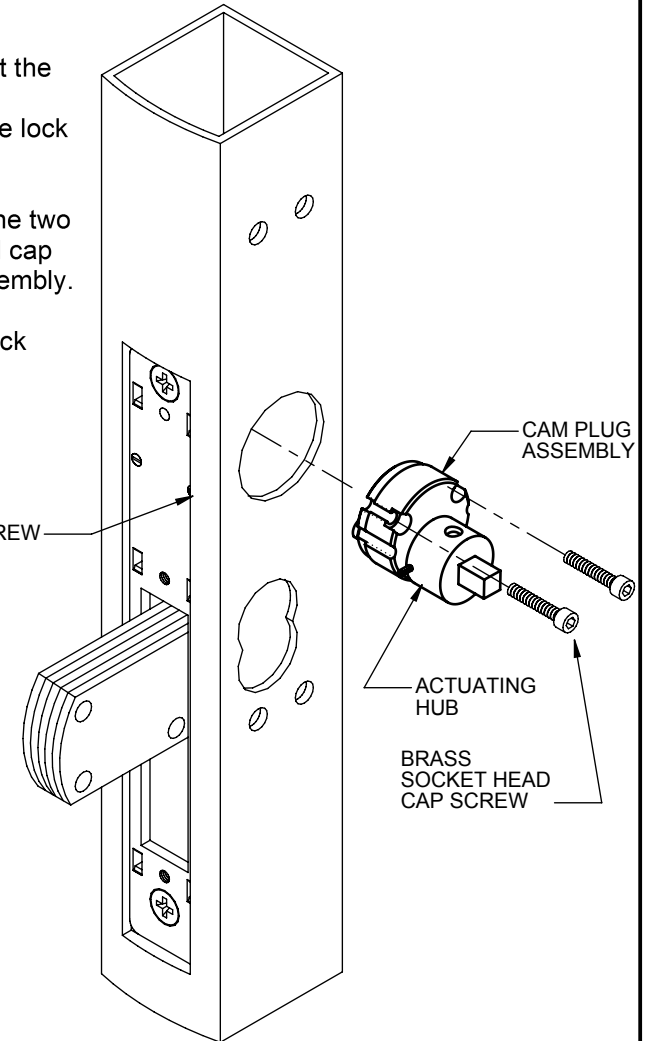


FIG. 3

### Required Tools:

- Phillips Screwdriver
- Flat Blade Screwdriver (Set Screw)
- Pencil
- Center Punch
- Hand Drill
- 5/32" Drill Bit
- #10-32 Tap
- 7/8" Hole Saw
- 7/64" Allen Wrench



www.adamsrite.com  
 Phone: 800-626-7590  
 800-872-3267



Fax: 866-582-4641  
 800-232-7329

4550 SERIES

80-0180-460

Rev. M Ecn 11955D

INSTALLATION INSTRUCTIONS

PAGE 1 OF 2

Date: 76/20/12

Appvd: MP

# STEP 3

## LEVER ASSEMBLY MOUNTING:

1. Rotate actuating hub until deadbolt extends and until it makes a complete stop. Then rotate the actuating hub back approximately 1/4 turn until the hole is at the 12 o'clock position (as shown in fig.5).
2. Insert the Exit Indicator Spring in the lower hole of the bolt cutout.
3. Inside the Lever Assembly, slide the Exit Indicator so that "LOCKED" is displayed in window.
4. Place Lever Assembly onto the door, ensure the actuating hub spindle engages the Drive Hub (fig. 6) inside the Lever Assembly.
5. Secure the Lever Assembly with the four #10-32 x 3/4" phillips pan head screws.
6. Re-install faceplate.

## OPERATION:

1. Turn the Lever downward 90° to unlock. When released the Lever returns to the horizontal position.
2. Turn the Lever upward 90° to lock. The DEADBOLT must extend and remain extended when the lever is released.
3. Exit Indicator should correspond to deadbolt position.

Lever may stick if the lever assembly is mis-located. loosen mounting screws and move the assembly around to find the best location, then secure.

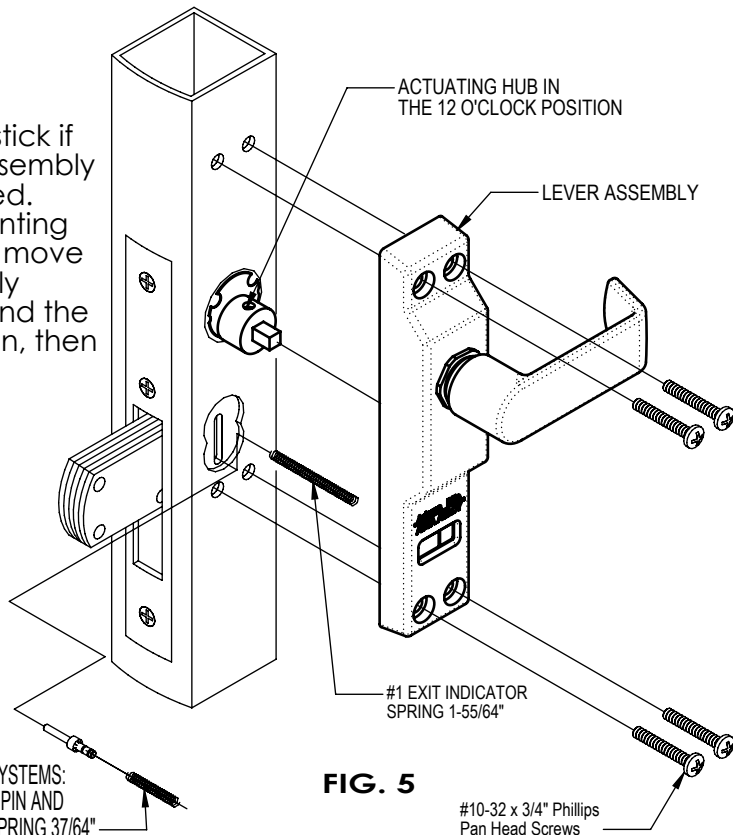


FIG. 5

## REHANDING:

1. Remove the #10-32 x 7/16" phillips flat head machine screw from the spring retainer bushing. Remove the return spring and bushing.
2. Remove the four pan head machine screws holding the stop plate. Lift out the stop plate.
3. Turn the lever 1-1/2 ROTATIONS to reverse the lever position. Ensure the drive hub is aligned vertically as shown in FIG. 6.
4. Reinstall the stop plate, orient as shown in drawing. The open end of the stop plate should always face the handle. Secure the stop plate with the four machine screws
5. Place return spring around retainer bushing. With lever in the horizontal position, install with the inside bend of the bottom leg of the spring around the stand-off. Swing the top leg of the return spring over to the other side of the stand-off. See FIG. 7
6. Secure return spring bushing with the #10-32 x 7/16" phillips flat head machine screw.

Note: The Cam Assembly is Non-Handed.

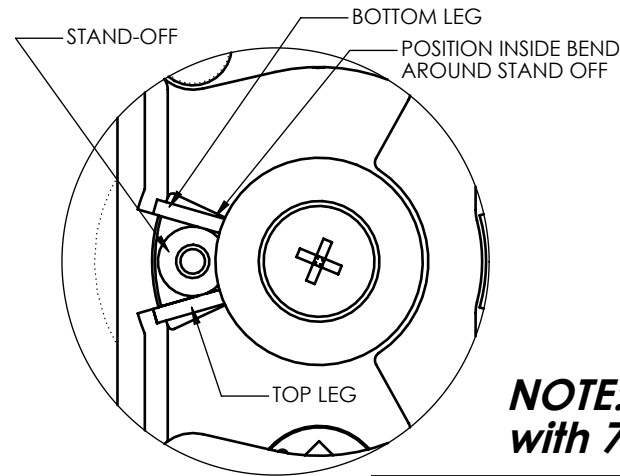
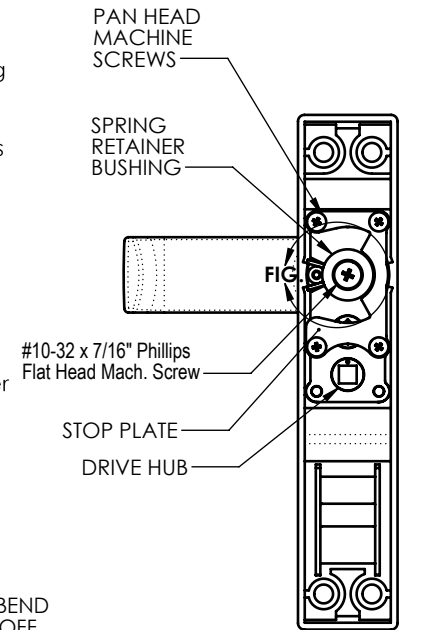


FIG. 7



(LH OR LHR SHOWN)

FIG. 6

**NOTE: Not compatible with 7/8" backset locks**

## Replacement Parts Available

Cam Plug Assembly kit (Clutched MS Lever)	91-0752
Handle Return Spring	28-0019
Return Spring Bushing	26-0157
Exit Indicator Spring - 1 3/4" Door	28-0008
Exit Indicator Spring (for 2 or 3 point Systems) - 1 3/4" Door	28-0008-01
Exit Indicator Pin (for 2 or 3 point Systems) - 1 3/4" Door	26-0455
Stop Plate	22-0656
#6-32 x 5/16" Phillips Pan Head Screw (Stop Plate)	S222-06R05N603
#10-32 x 7/16" Phillips Flat Head Screw (Spring Bushing)	S227-10R07N603
#6-32 x 1/2" Socket Head Cap Screw (Cam Assembly)	S242BA06-08



www.adamsrite.com  
Phone: 800-626-7590  
800-872-3267

4550 SERIES



Fax: 866-582-4641  
800-232-7329

80-0180-460

Rev. M Ecn 11955D

INSTALLATION INSTRUCTIONS

PAGE 2 OF 2

Date: 07/20/12 Appvd: MP