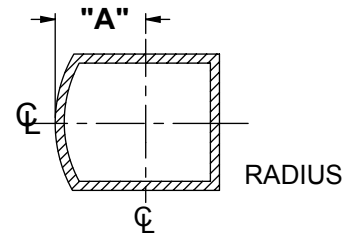
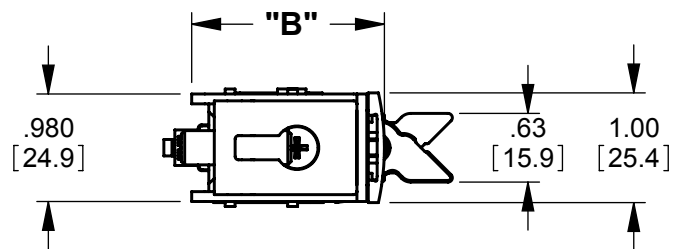
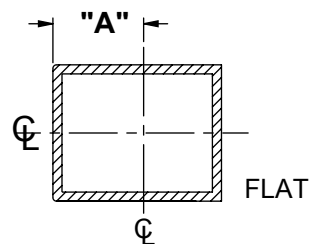


DIMENSIONS
Inches
(Millimeters)

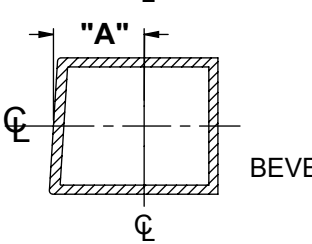
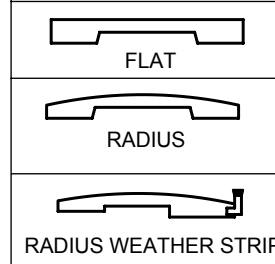


BACKSET "A"	DIM."B"
31/32" (24.6)	1.60 40.6
1-1/8" (28.6)	1.76 44.6
1-1/2" (38.1)	1.75 44.5



Flat Face Plate can be adjusted for right or left beveled edge doors. Radius Weather Strip is optional.

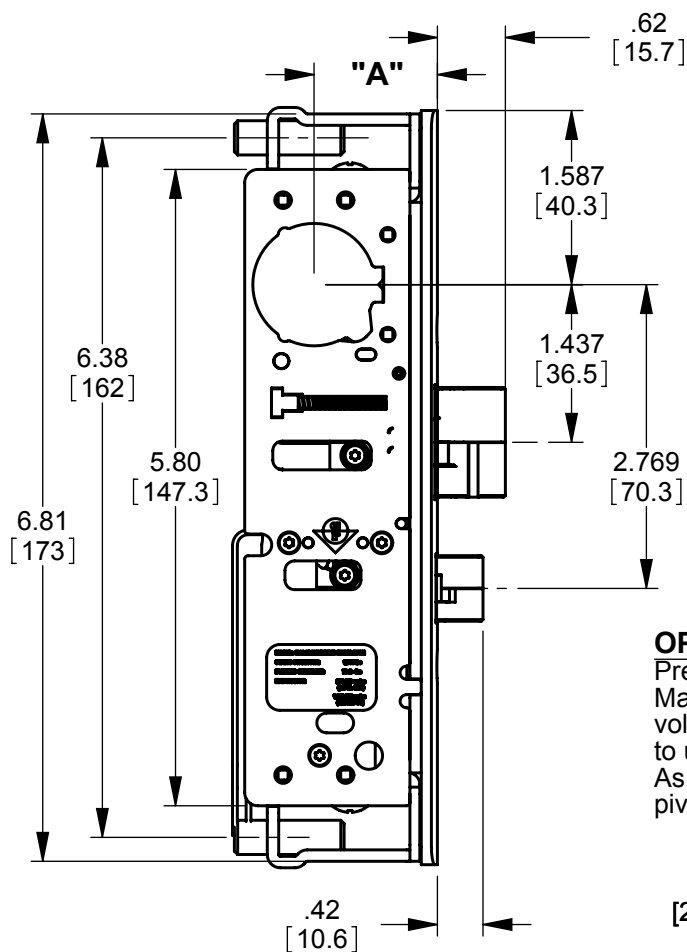
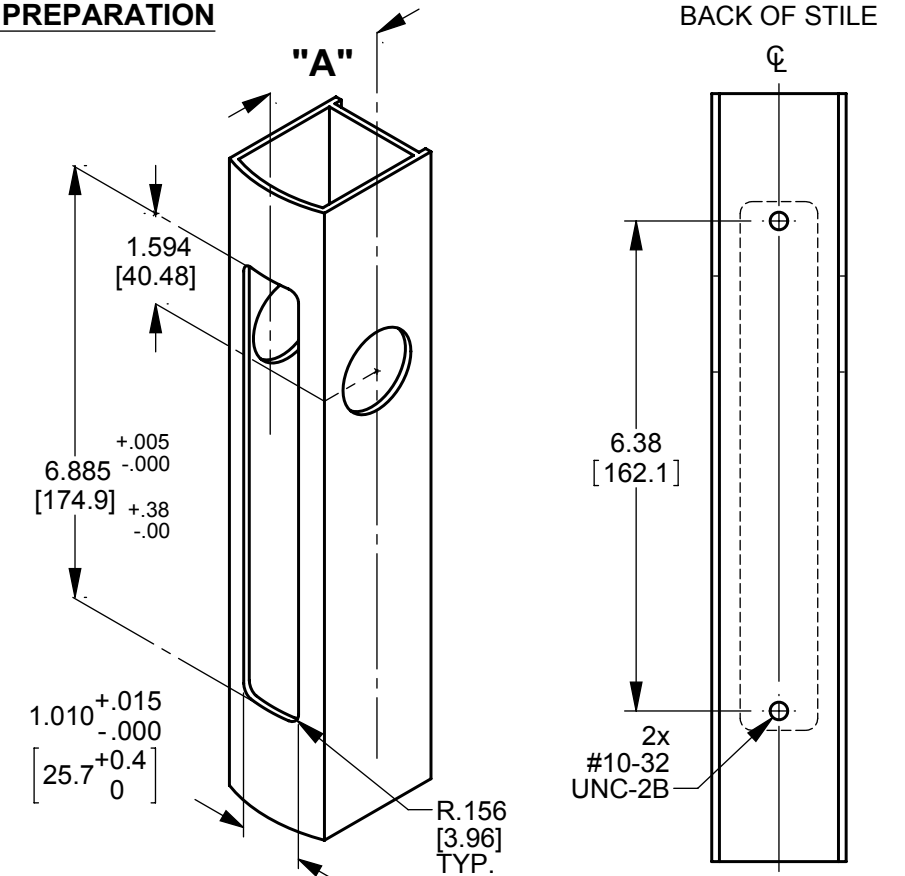
AVAILABLE FACEPLATES



HOW BACKSET IS MEASURED

FOR OPTIMUM LOCK PERFORMANCE, THE GAP BETWEEN THE DOOR AND FRAME MUST MEET INDUSTRY STANDARDS OF AN 1/8"

STILE PREPARATION



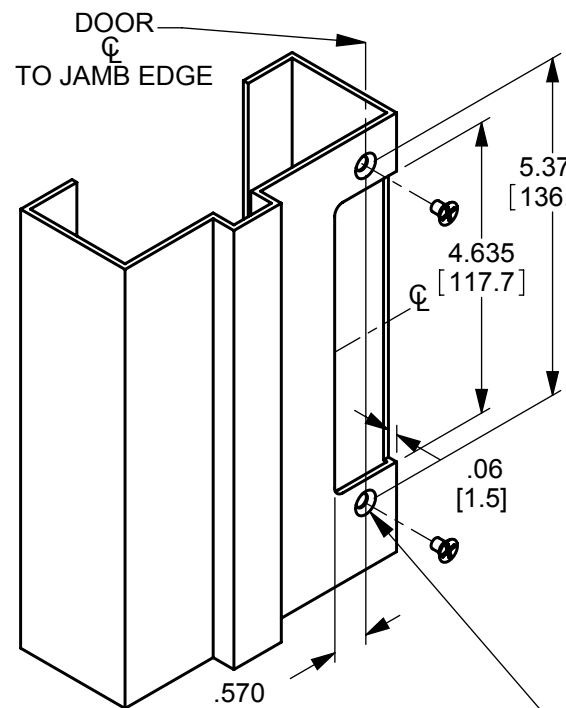
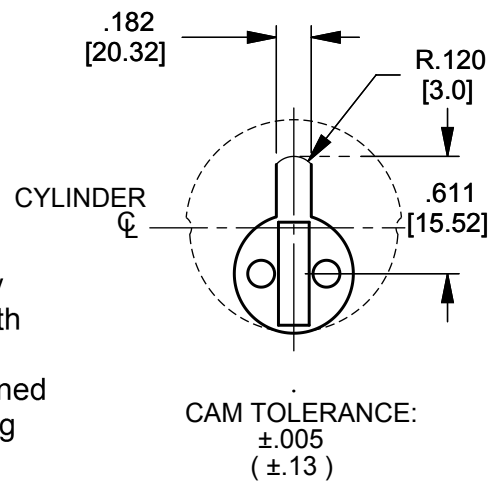
OPERATION INSTRUCTION

Press Aux Latch to secure Main Latch. Turn key, apply voltage, or operate Paddle/Handle to unlock Main Latch. As door opens, Main Latch pivots and collapses.

Turning Key / Handle / Paddle DOES NOT pull Main Latch Assy.

CYLINDER CAM

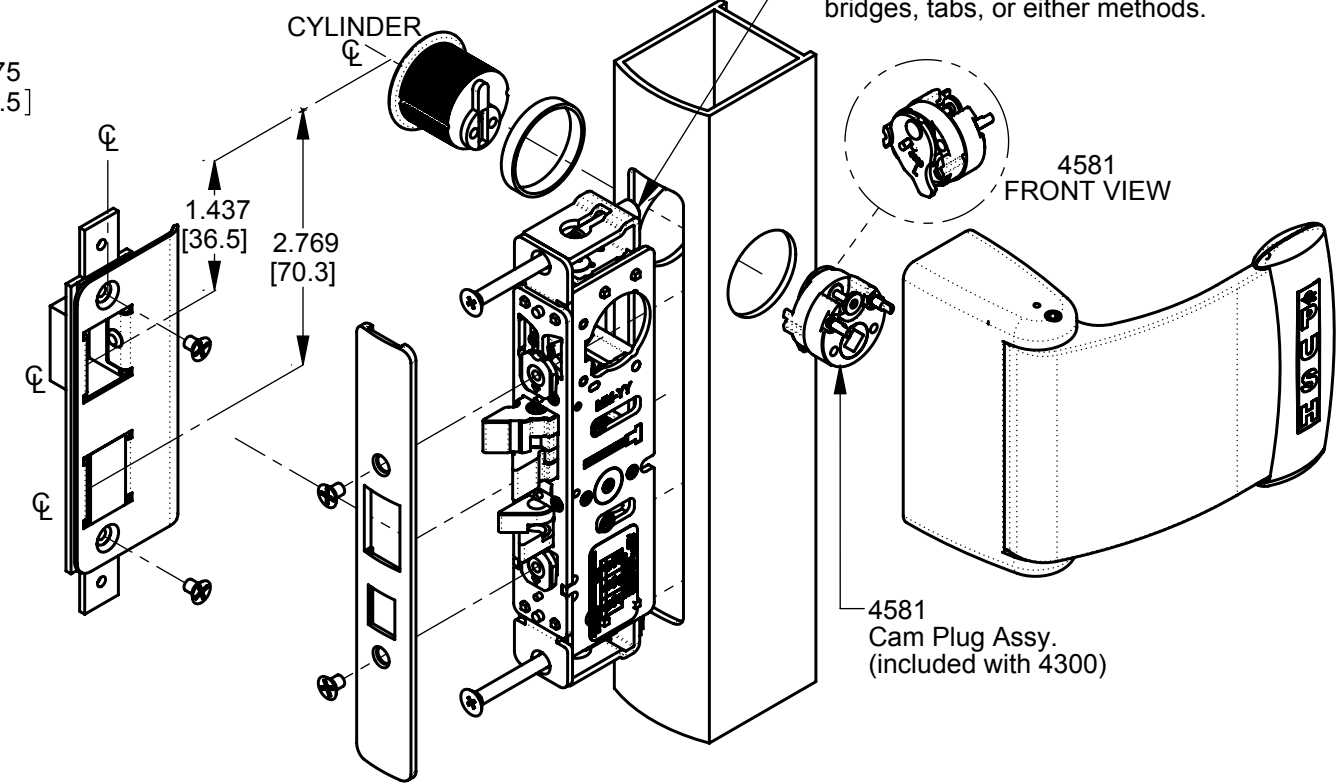
4300 Series Deadlatches are operable by any standard 1-5/32" diameter Mortise cylinder with special MS® cam dimensioned as shown. Cylinders with MS® cams can be readily obtained from most cylinder manufacturers. See catalog for cylinder make and trim ring information.



Drill and c'sk for #10-32 X 1/2" Flat Head Machine Screws

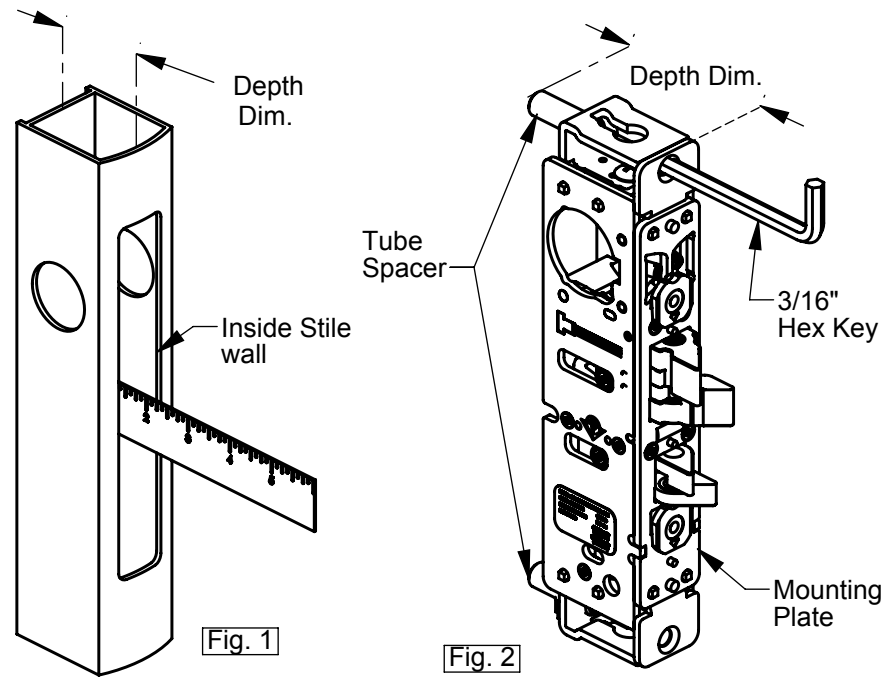
INSTALLATION

(Must use a Face Plate for installation) Adjustable Mounting Tube Bracket may be removed for mounting on bridges, tabs, or either methods.



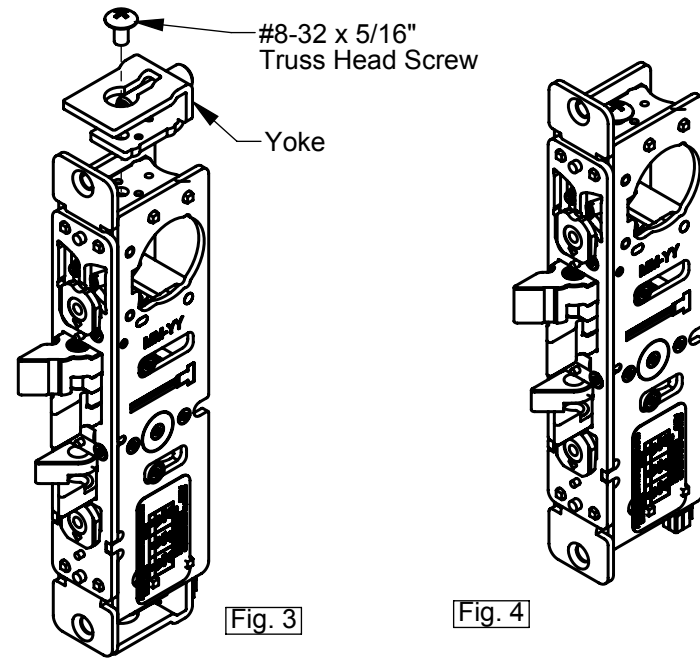
FOR TRADITIONAL MOUNTING INSTALLATIONS

- Measure the depth from the back of the stile to the inside wall of door edge (Fig. 1).
- Match the distance from the face of the Mounting Plate to the end of Tube Spacer. Use 3/16" Hex Key for fine adjustment (Fig. 2).



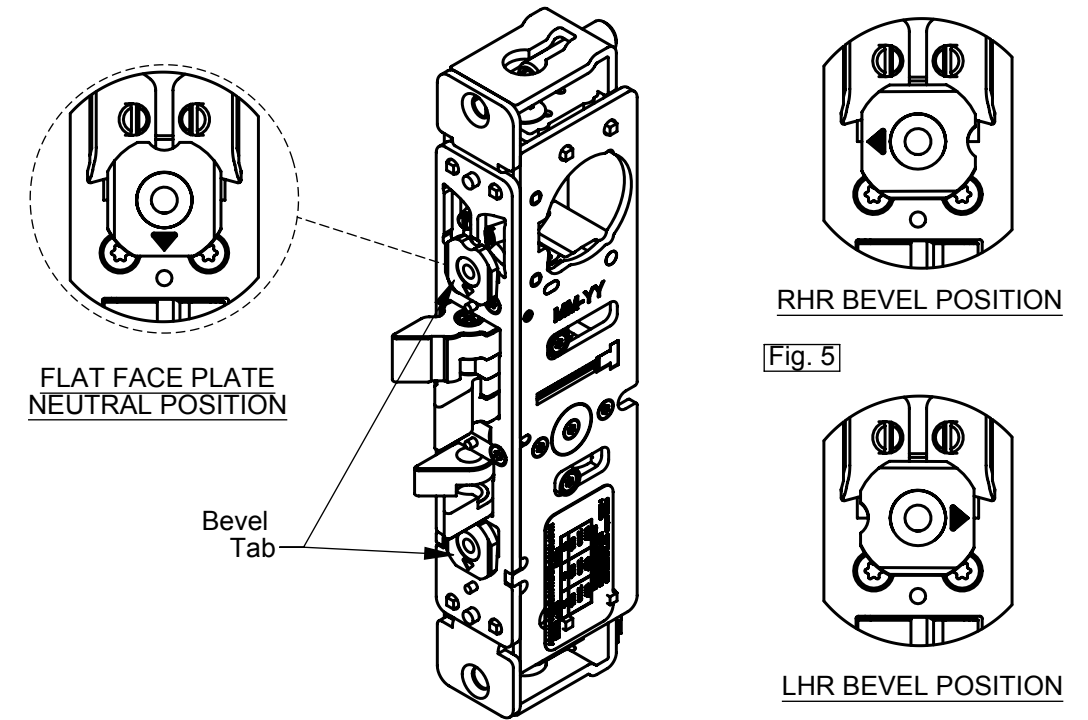
FOR MOUNTING TAB INSTALLATIONS

- Remove top and bottom #8-32 x 5/16" Truss Head Screw as shown (Fig. 3).
- Remove Yoke, and refasten #8-32 x 5/16" Truss Head Screw (Fig. 4).



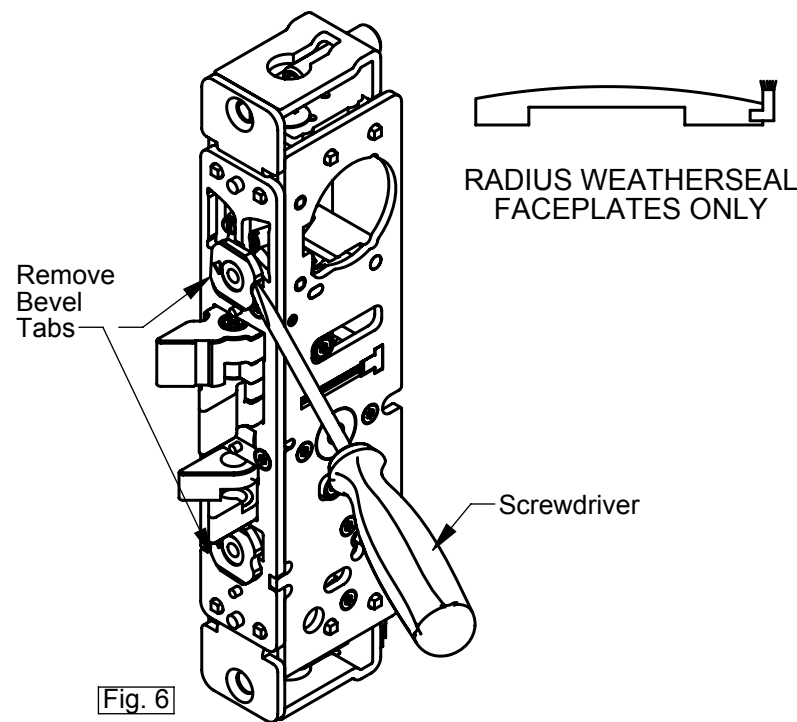
BEVEL ADJUSTMENT

- Rotate Bevel Tab to desired hand (Fig. 5).
- Using the bevel adjustment allows the Flat Faceplate to work in beveled stiles. Radius and Flat Faceplates are included.



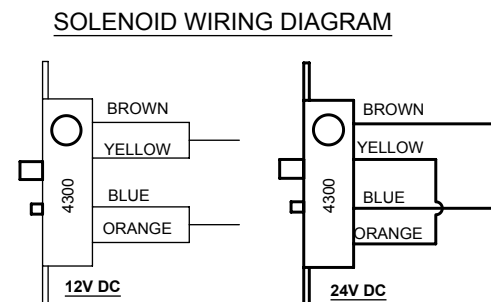
FOR RADIUS WITH WEATHERSEAL FACEPLATE ONLY

- With a small screwdriver, remove bevel tabs as shown (Fig. 6)

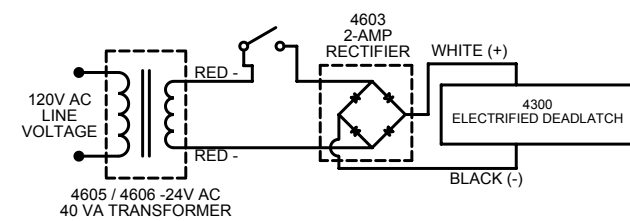


SOLENOID SPECIFICATION

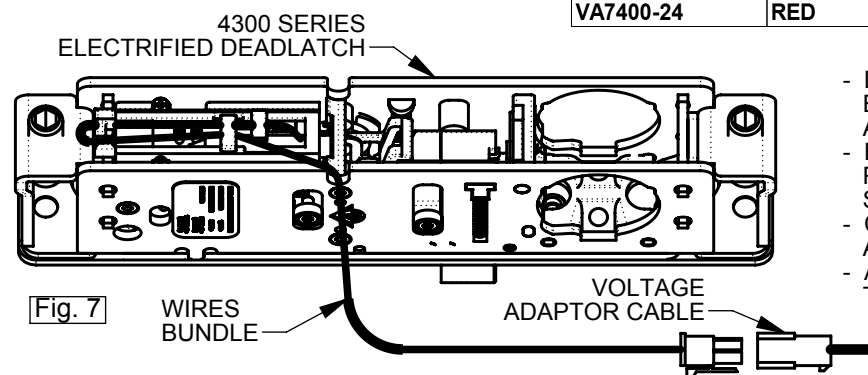
SOLENOID AVAILABLE VOLTAGES
12V DC CONTINUOUS DUTY,
24V DC CONTINUOUS DUTY.



4300 WIRING DIAGRAM
INTERMITTENT / CONTINUOUS DUTY 12 / 24V DC



VOLTAGE ADAPTOR CABLE			
P/N#	WIRE COLOR	APPLICATION	SOLENOID CURRENT DRAW
VA7400-12	BLACK	12V DC	0.44 AMPS
VA7400-24	RED	24V DC	0.24 AMPS



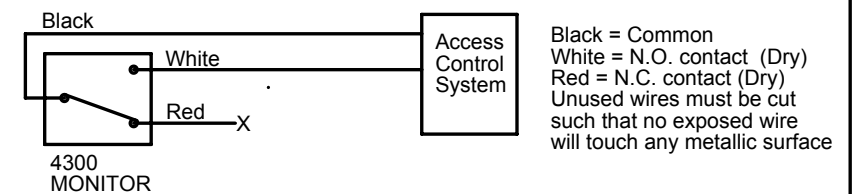
- LOOP THE WIRES BUNDLE FROM 4300 ELECTRIFIED 'S SOLENOID UNDER AND AROUND ITS HOUSING AS SHOWN (Fig.7).
- EXTEND THE WIRES RUN FROM THE POWER SOURCE AND THROUGH THE STILE PREPARATION.
- CONNECT THE WIRE TO THE VOLTAGE ADAPTOR CABLE.
- ATTACH VOLTAGE ADAPTOR CABLE TO 4300 WIRES BUNDLE AS SHOWN.

MONITORING (OPTIONAL)

MONITORED DEADLATCH CONTAINS AN INTERNALLY MOUNTED SWITCH. THIS SWITCH IS ACTIVATED WHEN THE DOOR IS IN CLOSE POSITION. ALL UNUSED LEADS FROM THE MONITOR SWITCH MUST BE INSULATED.

- Common contact - Black
- Normally Open contact (N.O.) - White
- Normally Closed contact (N.C.) - Red
- Maximum switching current - 0.1 Amps @ 125 VAC

EXAMPLE WIRING DIAGRAM WITH N.O. MONITORING



Note: NOT intend to be a Rex switch.