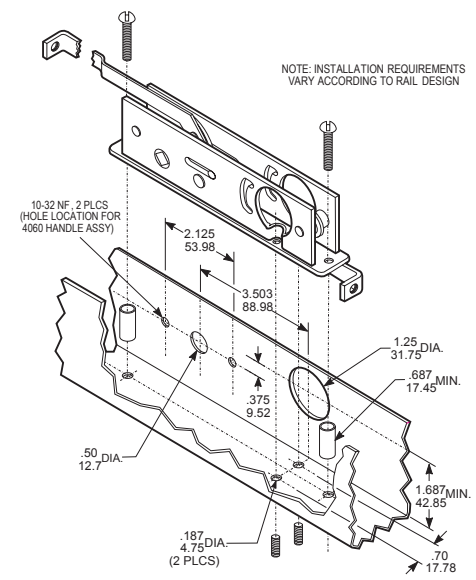


Cylinder Cam
 CAM TOLERANCE:
 $\begin{matrix} +.005 \\ -.13 \end{matrix}$

1875 deadbolts are operable by any standard 1-5/32" diameter mortise cylinder with special MS[®] cam dimensioned as shown. Cylinders with MS[®] cams can be readily obtained from most cylinder manufacturers. See page SW-28 for cylinder make and trim ring information.

INSTALLATION



ADAMS RITE MANUFACTURING CO.

260 Santa Fe Street, Pomona, CA 91767
 Phone: (909) 632-2300 Fax: (909) 632-2369

1875 Two Point Deadbolt