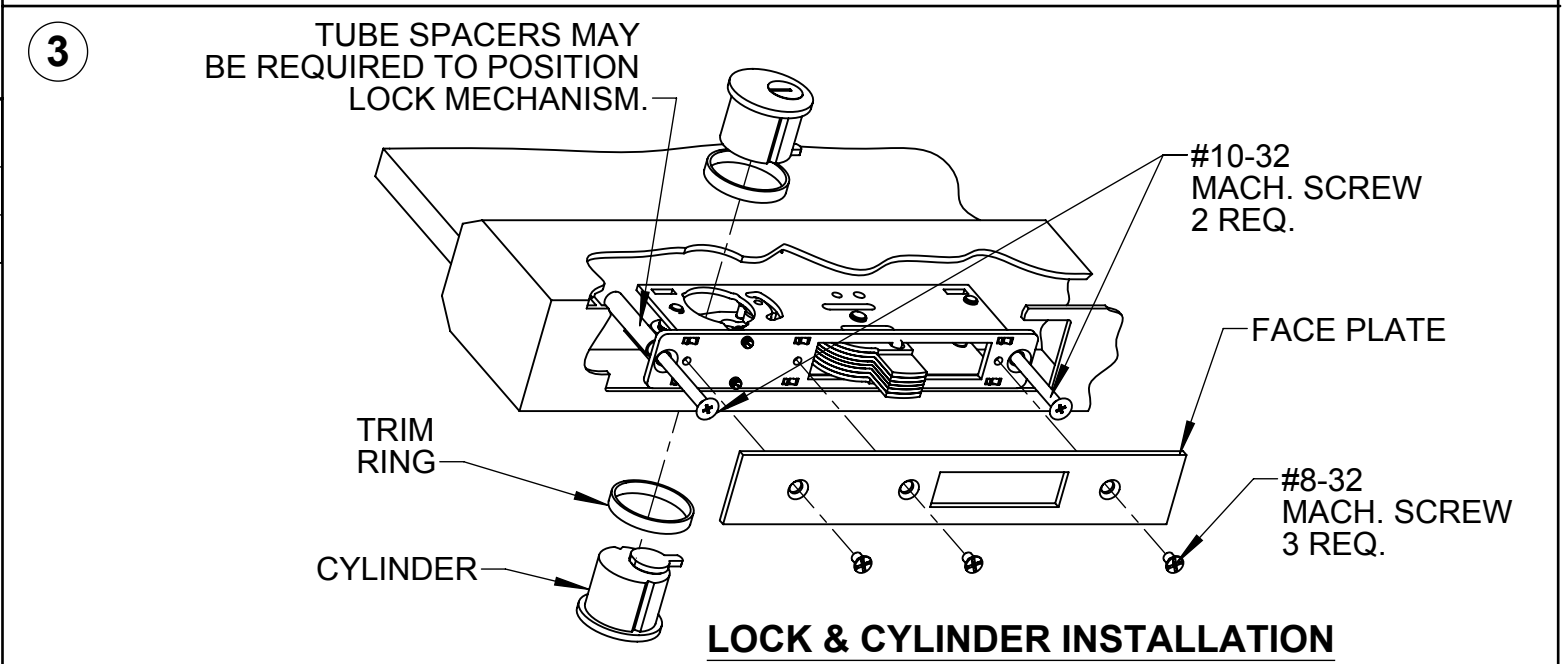
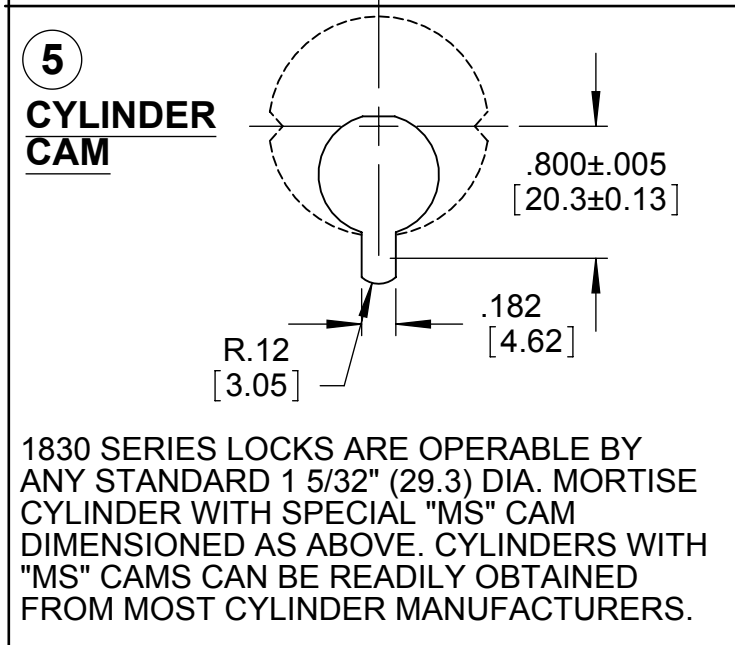
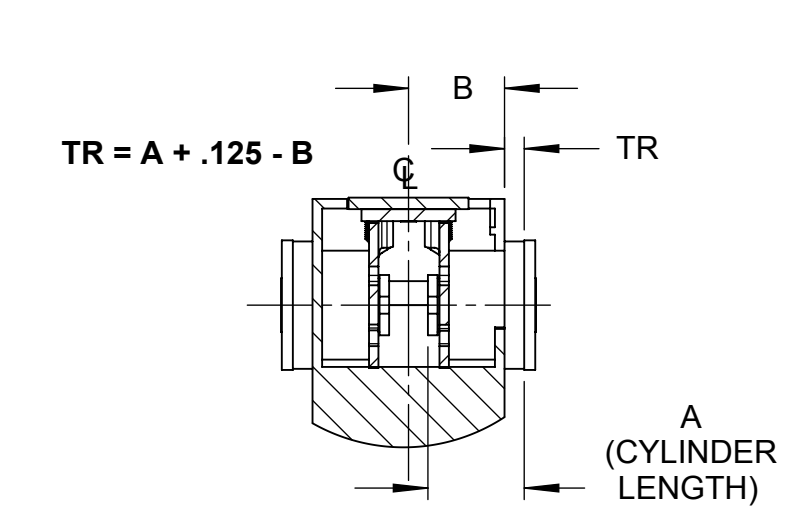


6

DASH NO.	CYLINDER HEIGHT	DIM "A"
-02	31/32" (24.6)	1.63" (41.4)
-03	1 1/8" (28.6)	1.78" (45.2)

CYLINDER TRIM RING

TRIM RING THICKNESS (TR) WILL VARY WITH SPECIFIC CYLINDER MAKE, NO. OF PINS, AND BOTTOM RAIL THICKNESS. TO DETERMINE TRIM RING THICKNESS, USE THE FOLLOWING FORMULA.



WHEN ORDERING, SPECIFY:

1. QUANTITY
2. SPECIFY CATALOG NO. 1830 PLUS DASH NO. FOR LOCK DEPTH AND CYLINDER HEIGHT ACCORDING TO HEIGHT.
3. IF CYLINDERS ARE REQUIRED, SPECIFY KEYING AND TRIM RING THICKNESS.
4. IF TUBE SPACERS ARE REQUIRED, SPECIFY NUMBER AND LENGTH.
5. DIMENSIONS IN PARENTHESIS ARE IN MILLIMETERS
6. ORDER 4006 STRIKE SEPARATELY IF REQUIRED.