



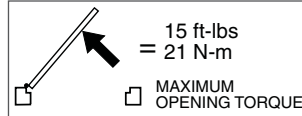
18758

2030 Series

LCN®

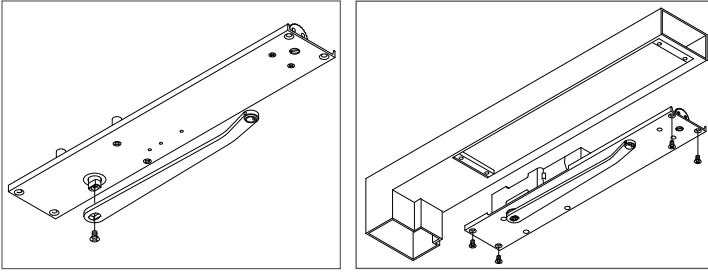
No maintenance required. 2035 EN 4

Installation Instructions



1 Installation

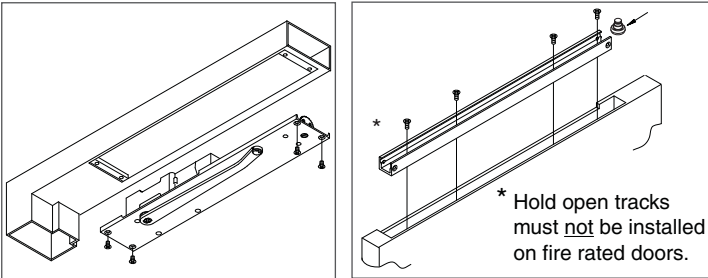
1a The hand of the door and the closer must be the same. RH or LH will be stamped on the mounting plate. See the proper template for your application.



1b Attach the arm to the closer. The bend in the arm will always point towards the door.

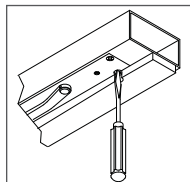
1c Install the closer including the arm in the prepped frame with mounting screws provided. Be sure the mounting plate is flush with the soffit.

1d After the closer is mounted in the door jamb, attach the applied stop to the head frame, as shown below. The stop section must have an access hole to allow for door closer adjustment.



1e The track mortise in the top of the door must match the proper template. Place the roller in the track. Mount the track in the door. Fasten with the provided screws.

1f Open the door approximately 45°. Pull the arm over the top of the door. Align the hole in the end of the arm with the roller stud. Fit the closer arm completely onto the roller stud and tighten the arm set screw securely.



1g Adjust the closing power only if more power is needed. The closer is shipped with minimum closing power preset. To increase the closing power turn the spring adjusting screw clockwise. Maximum adjustment is 36 turns.

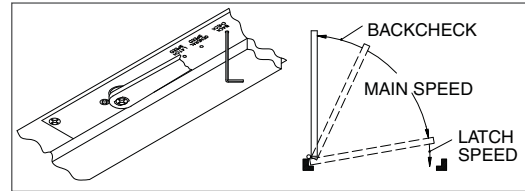
2 Adjustment

The 2030 Series closer has been regulated prior to shipment. If adjustments are necessary, carefully follow instructions **DO NOT REMOVE THE COVER PLATE TO MAKE ADJUSTMENTS.**

2a **Closing Speed:** See Closer Control Diagram below. Regulating screw locations are shown in illustration at left and also on door closer label. To adjust Main Speed, turn regulating screw clockwise to decrease or counter-clockwise to increase. To adjust Latch Speed, turn regulating screw clockwise to decrease or counter-clockwise to increase.

2b **Backcheck:** This control hydraulically dampens the opening speed of doors. Use enough backcheck to sufficiently slow the doors opening speed. To increase resistance, turn regulating screw clockwise.

① **NOTE: DO NOT USE AN ABRUPT BACKCHECK OR EXPECT THE DOOR CLOSER TO ACT AS A DOOR STOP!**

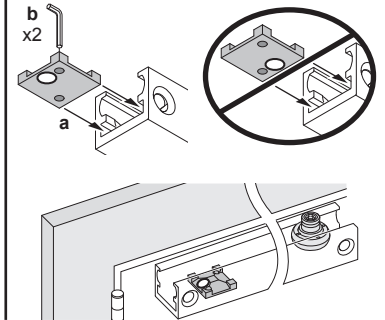
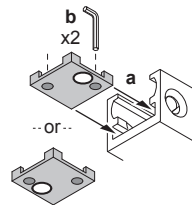


3 Hold-Open Information

HOLD-OPEN OPTION

LIGHT HOLD-OPEN FORCE

STRONG HOLD-OPEN FORCE



Improper installation or regulation may result in personal injury or property damage. Follow all instructions carefully. For questions, call LCN at 877-671-7011.

Customer Service
1-877-671-7011 www.allegion.com/us

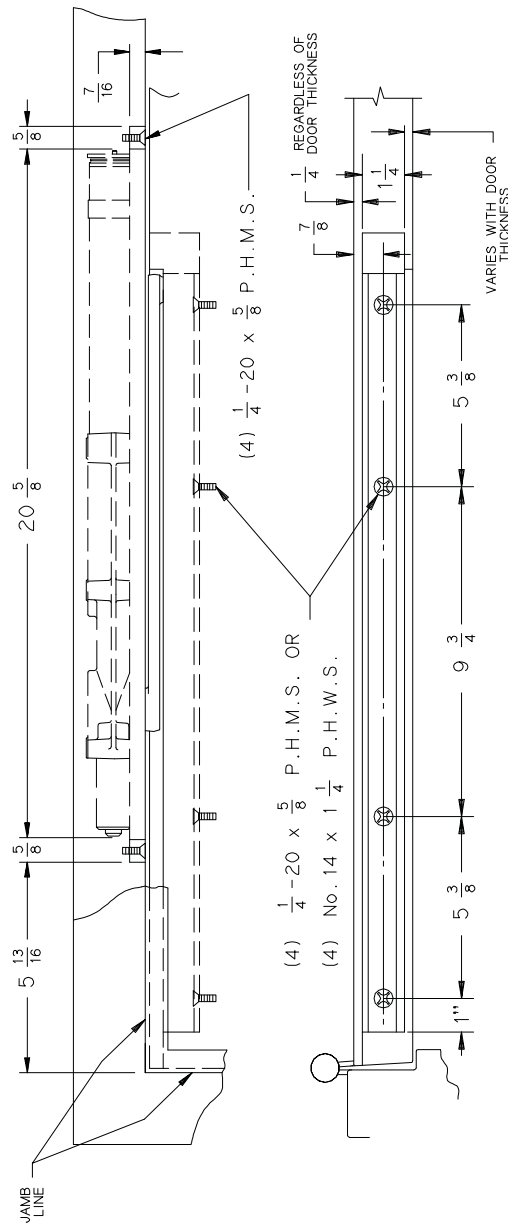
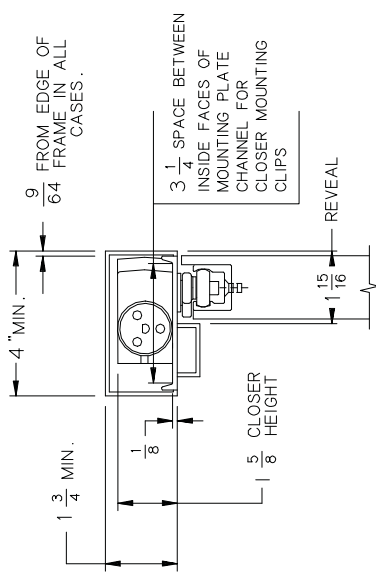
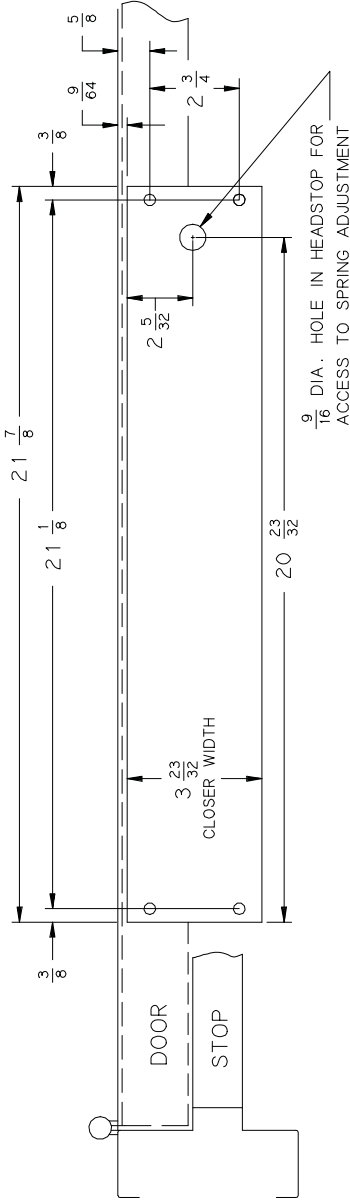


© Allegion 2016
Printed in U.S.A.
18758 Rev. 06/16-m

2031 } NON HOLD OPEN (90° - 180°)
 2033 } H 90 (85° - 110°)
 2034 }
 2035 } MAX. OPENING 180°

AUXILIARY STOP RECOMMENDED

AN ALUMINUM COMBINATION MOUNTING AND FINISH PLATE IS INCLUDED AS PART OF THE CLOSER. AN APPLIED REMOVABLE HEADSTOP MUST BE USED AND MOUNTED BETWEEN SIDE STOPS FOR REMOVABILITY. MOUNTING SCREW HOLES FOR REMOVABLE HEADSTOP MUST SPAN CLOSER MOUNTING/FINISH PLATE



- NOTES-
1. FOR 180° OPENINGS, MAX. ALLOWABLE BUTT SIZE IS 5" x 5".
 2. MINIMUM STOP THICKNESS 1/2".
 3. 1/8" DOOR TO SOFFIT CLEARANCE REQUIRED.
 4. REINFORCING PER ANSI/SDI-100 RECOMMENDED FOR HOLLOW METAL DOORS & FRAMES.

LEFT HAND DOOR AND CLOSER SHOWN, RIGHT HAND OPPOSITE

No.	REVISION	BY	DATE	DRW	CTB
1	2030 WAS 2030-101	RJS	3/78	1/94	
2	CHANGED LOGO	RJS	7/80	DO NOT SCALE	
3	CHANGE TO UNIV. TRACK	DRM	10/89		
4	TRACK HOLES RELOCATED	DRM	6/90		
5	CAD CONV./ADDED SIZE 1	CTB	1/94		

inch	1/8	1/4	3/8	1/2	5/8	7/8	1	1 1/4	1 1/2	1 3/4	1 5/8	1 3/4
mm	3	6	10	13	16	22	25	32	35	41	44	44
inch	1 1/8	2 3/8	2 3/4	3 1/4	3 3/4	4	5 3/8	5 13/8	9 3/4	20 5/8	20 3/4	21 7/8
mm	49	55	70	79	94	102	137	148	248	524	526	556
												572
												600

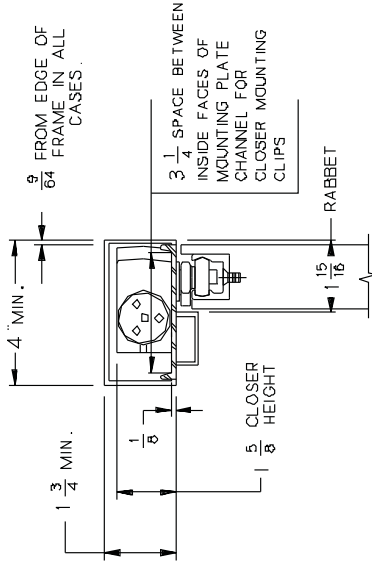
OVERHEAD CONCEALED CLOSER WITH CONCEALED ARM & TRACK

2030 INST.

2031 CP) NON HOLD OPEN (UP TO 120°)
 2032 CP) H-90 (80° TO 100°)
 2033 CP) H-90 (80° TO 100°)
 2034 CP) MAX. OPENING 120°
 2035 CP)

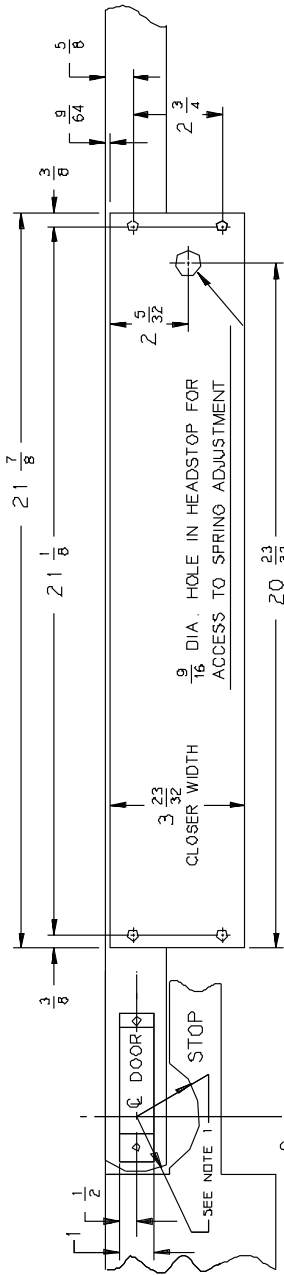
AUXILIARY STOP RECOMMENDED
 LEFT HAND DOOR AND CLOSER
 SHOWN, RIGHT HAND OPPOSITE 6/96

AN ALUMINUM COMBINATION MOUNTING AND FINISH PLATE IS INCLUDED AS PART OF THE CLOSER. AN APPLIED REMOVABLE HEADSTOP MUST BE USED AND MOUNTED BETWEEN SIDE STOPS FOR REMOVABILITY. MOUNTING SCREW HOLES FOR REMOVABLE HEADSTOP MUST SPAN CLOSER MOUNTING/FINISH PLATE

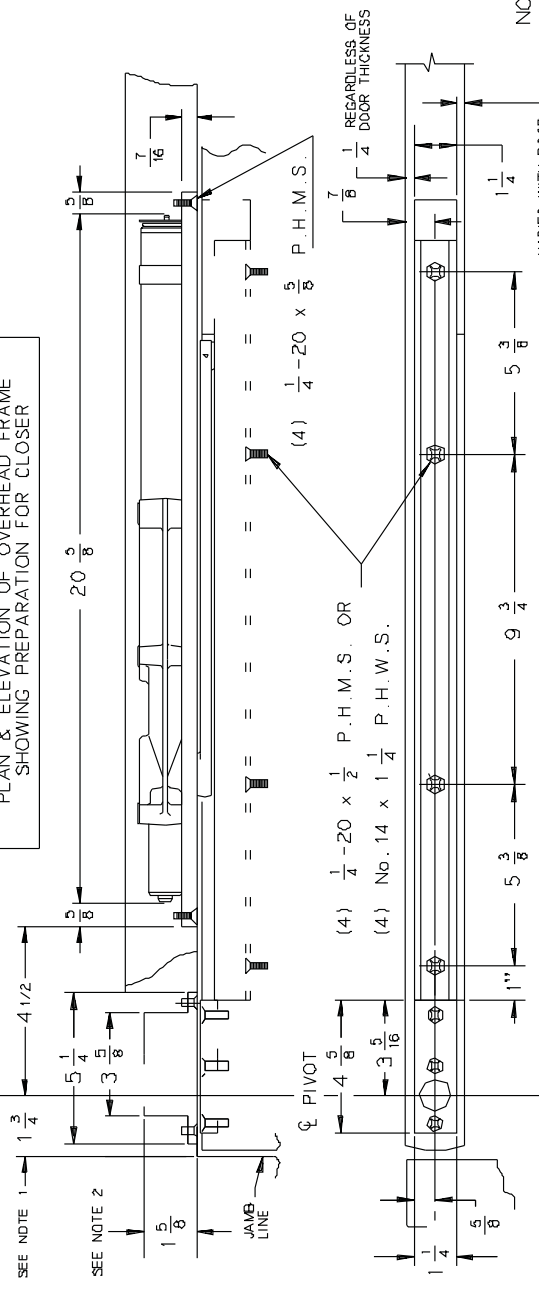


NOTES :

- PIVOT CENTER MAY BE VARIED AS DESIRED. MINIMUM ALLOWABLE IS 1 3/4" AS SHOWN. CUTOUT IN HEADSTOP & VERTICAL JAMB TO CLEAR HEEL OF DOOR. HEEL OF DOOR RADIUS MUST NOT EXCEED $\frac{1}{2}$ OF PIVOT TO JAMB DISTANCE
- FOR PIVOT INSTALLATION DETAILS. SEE 7250 SERIES PIVOT TEMPLATE.
- MINIMUM STOP THICKNESS $\frac{1}{2}$ "
- 1" DOOR TO SOFFIT CLEARANCE REQUIRED.
- REINFORCING PER ANSI/SDI-100 RECOMMENDED FOR HOLLOW METAL DOOR AND FRAMES.



PLAN & ELEVATION OF OVERHEAD FRAME SHOWING PREPARATION FOR CLOSER



PLAN & ELEVATION OF TOP OF DOOR SHOWING PREPARATION FOR CLOSER TRACK

19 CUTOUT AT TOP OF DOOR ON STOP SIDE ONLY. DO NOT CUT BOTH SIDES OF DOOR.

No.		REVISION	BY	DATE	APP
1	CAD CONVERSION	CTB	8/93	BY	JEJ 6/96
2	TEMPLATE UPDATE	JEJ	6/96	DO	NOT SCALE
3	TEMPLATE UPDATE	AMM	2/98		

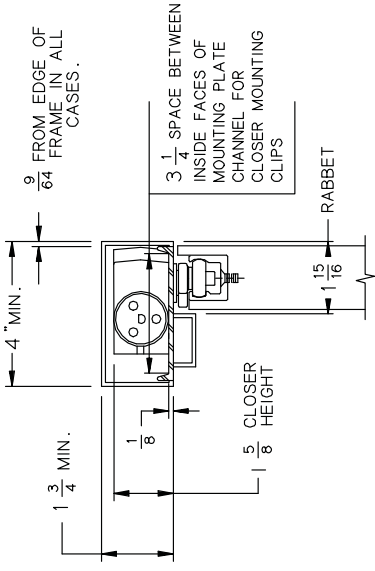
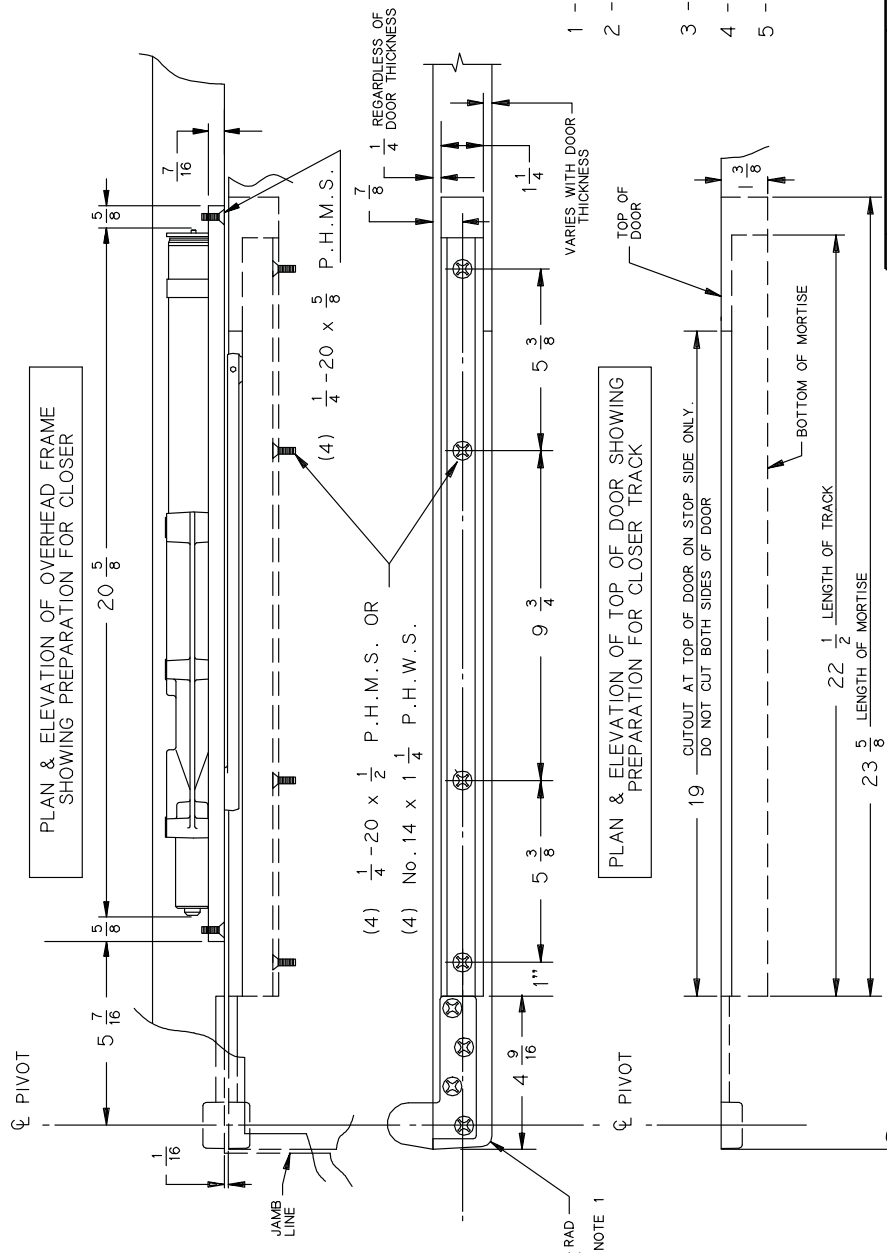
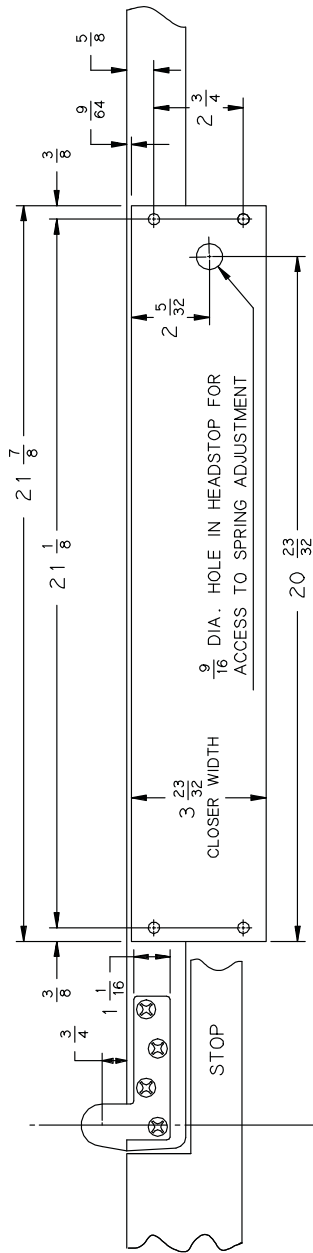
inch		mm		inch		mm		inch		mm	
1	3/8	4	10	1	25	1	25	1	25	1	25
2	3/4	3	8	1	25	1	25	1	25	1	25
3	1	4	10	1	25	1	25	1	25	1	25
4	1 1/8	10	25	1 1/4	32	1 1/2	38	1 3/4	44	1 5/8	48
5	1 1/4	11	28	1 3/8	35	1 5/8	48	1 7/8	48	1 7/8	48
6	1 1/2	13	32	1 3/4	38	1 7/8	48	1 7/8	48	1 7/8	48
7	1 5/8	14	35	1 7/8	45	1 7/8	48	1 7/8	48	1 7/8	48
8	1 3/4	16	40	1 7/8	45	1 7/8	48	1 7/8	48	1 7/8	48
9	1 7/8	17	43	1 7/8	45	1 7/8	48	1 7/8	48	1 7/8	48
10	2	18	45	1 7/8	45	1 7/8	48	1 7/8	48	1 7/8	48
11	2 1/8	19	48	1 7/8	45	1 7/8	48	1 7/8	48	1 7/8	48
12	2 1/4	20	50	1 7/8	45	1 7/8	48	1 7/8	48	1 7/8	48
13	2 3/8	21	53	1 7/8	45	1 7/8	48	1 7/8	48	1 7/8	48
14	2 1/2	22	55	1 7/8	45	1 7/8	48	1 7/8	48	1 7/8	48
15	2 5/8	23	58	1 7/8	45	1 7/8	48	1 7/8	48	1 7/8	48
16	3	24	60	1 7/8	45	1 7/8	48	1 7/8	48	1 7/8	48
17	3 1/8	25	63	1 7/8	45	1 7/8	48	1 7/8	48	1 7/8	48
18	3 1/4	26	65	1 7/8	45	1 7/8	48	1 7/8	48	1 7/8	48
19	3 3/8	27	68	1 7/8	45	1 7/8	48	1 7/8	48	1 7/8	48
20	3 1/2	28	70	1 7/8	45	1 7/8	48	1 7/8	48	1 7/8	48
21	3 5/8	29	73	1 7/8	45	1 7/8	48	1 7/8	48	1 7/8	48
22	4	30	75	1 7/8	45	1 7/8	48	1 7/8	48	1 7/8	48
23	4 1/8	31	78	1 7/8	45	1 7/8	48	1 7/8	48	1 7/8	48
24	4 1/4	32	80	1 7/8	45	1 7/8	48	1 7/8	48	1 7/8	48
25	4 3/8	33	83	1 7/8	45	1 7/8	48	1 7/8	48	1 7/8	48
26	4 1/2	34	85	1 7/8	45	1 7/8	48	1 7/8	48	1 7/8	48
27	4 5/8	35	88	1 7/8	45	1 7/8	48	1 7/8	48	1 7/8	48
28	5	36	90	1 7/8	45	1 7/8	48	1 7/8	48	1 7/8	48
29	5 1/8	37	92	1 7/8	45	1 7/8	48	1 7/8	48	1 7/8	48
30	5 1/4	38	94	1 7/8	45	1 7/8	48	1 7/8	48	1 7/8	48
31	5 3/8	39	97	1 7/8	45	1 7/8	48	1 7/8	48	1 7/8	48
32	5 1/2	40	100	1 7/8	45	1 7/8	48	1 7/8	48	1 7/8	48
33	5 5/8	41	102	1 7/8	45	1 7/8	48	1 7/8	48	1 7/8	48
34	6	42	105	1 7/8	45	1 7/8	48	1 7/8	48	1 7/8	48
35	6 1/8	43	108	1 7/8	45	1 7/8	48	1 7/8	48	1 7/8	48
36	6 1/4	44	110	1 7/8	45	1 7/8	48	1 7/8	48	1 7/8	48
37	6 3/8	45	113	1 7/8	45	1 7/8	48	1 7/8	48	1 7/8	48
38	6 1/2	46	115	1 7/8	45	1 7/8	48	1 7/8	48	1 7/8	48
39	6 5/8	47	118	1 7/8	45	1 7/8	48	1 7/8	48	1 7/8	48
40	7	48	120	1 7/8	45	1 7/8	48	1 7/8	48	1 7/8	48

2030-CP

2031 OP) NON HOLD OPEN (UP TO 115°)
 2032 OP) H-90 (85°)
 2033 OP) H-90 (85°)
 2034 OP) MAX. OPENING 115°
 2035 OP)

AUXILIARY STOP RECOMMENDED
 LEFT HAND DOOR AND CLOSER SHOWN, RIGHT HAND OPPOSITE
 6/96

AN ALUMINUM COMBINATION MOUNTING AND FINISH PLATE IS INCLUDED AS PART OF THE CLOSER. AN APPLIED REMOVABLE HEADSTOP MUST BE USED AND MOUNTED BETWEEN SIDE STOPS FOR REMOVABILITY. MOUNTING SCREW HOLES FOR REMOVABLE HEADSTOP MUST SPAN CLOSER MOUNTING/FINISH PLATE



- NOTES :
- 1 - BEVEL HEEL EDGE OF DOOR 1" IN 2"
 - 2 - FOR PIVOT INSTALLATION DETAILS, SEE PIVOT TEMPLATE, FOR USE WITH PIVOT SETS: 7212, 7215, 7222, 7226 AND 7227.
 - 3 - MINIMUM STOP THICKNESS 1/2"
 - 4 - 1/8" DOOR TO STOP CLEARANCE REQUIRED.
 - 5 - REINFORCING PER ANSI/SDI-100 RECOMMENDED FOR HOLLOW METAL DOOR AND FRAMES.

No.	REVISION	BY	DATE	APP BY
1	CAD CONVERSION	CTB	8/93	JEU 6/96
2	TEMPLATE UPDATE	JEJ	6/96	DO NOT SCALE
3	TEMPLATE UPDATE	AMM	11/97	OVERHEAD CONCEALED CLOSER, ARM & TRACK WITH OFFSET PIVOTS
4	TEMPLATE UPDATE	AMM	09/06	

inch	1/8	3/16	1/4	5/16	3/8	7/16	1/2	5/8	3/4	7/8	1	1 1/8	1 1/4	1 3/8	1 1/2		
mm	2	3	4	6	8	10	11	13	14	16	19	22	25	27	32	35	41
inch	1 3/4	1 5/8	2	2 3/8	2 1/2	3 1/4	3 3/8	4	4 1/8	5 3/8	5 1/2	6 1/8	6 3/4	7 1/8	7 3/4	8 1/2	9 1/2
mm	44	49	51	55	70	79	94	102	116	137	138	248	483	524	526	537	556
inch	22 1/2	23 1/8															
mm	572	600															

2030-OP