

# Options & Accessories for Deadlocks

Adams Rite Deadlocks including the MS® Maximum Security Deadlocks can be ordered with a variety of related products including strike plates, cylinder accessories and trim. Different deadlocks have different installation and cylinder requirements. Please refer to product pages for more information on all available deadlock types, functions, installation requirements and complete How-to-Order guides.

For more detailed information on any of the products listed below please refer to the corresponding section of this catalog.

## ACCESSORIES

### 4000 SERIES MS DEADLOCK STRIKES

4000 surface mounted strike plate, 4001 strike plate with dust box, 4005 threshold strike, 4006 floor strike, 4505 armored strike, or 4003 ANSI strike add aesthetics and finish to strike cutouts in jambs.

### 4800 SERIES STRIKES

4801 for hollow metal, 4802 for wood, or MS4804 reinforcing strike, the 4800 Series Strikes boast vertical adjustment and include a shim system for horizontal positioning for nearly any sliding door using a mortised MS1847 Deadlock or latch.

### HEADER BOLTS

4015 Threshold Bolt is a two-point lock that easily secures a single door entrance. Security for pairs of doors with single key turning is possible with the 4016 Header Bolt. The three-point lock easily secures the entire double door entrance when working in conjunction with an MS Deadlock. 4085 Header Bolt facilitate top-of-door third locking point for pairs of doors when working in conjunction with an MS pivoted bolt deadlock and 4015 Threshold Bolt in the active leaf.

### EXIT INDICATOR

The 4089 Exit Indicator provides exit door notification for various Adams Rite deadlocks.

## CYLINDERS

### CYLINDER PULLS

The 4024, 4025, 4026 Cylinder Pulls are designed to operate Adams Rite MS1847 Deadlocks and 5017 Wood Door Deadlock.

### 4036 MORTISE CYLINDER

The 4036 Mortise Cylinder is a standard 1" long, 1-5/32" diameter cylinder that provides five-pin security with most Adams Rite locks or latches.

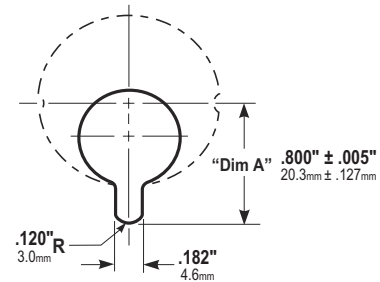
### 4066 THUMBTURN

The 4066 Thumbturn interchanges with standard 1-5/32" diameter mortise cylinder and operates locks or latches without a key.

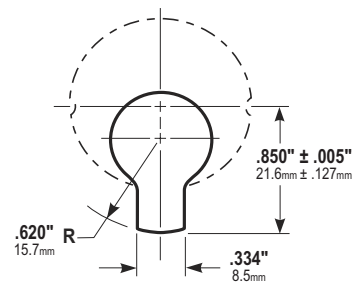
### MS4043 CYLINDER GUARD

The MS4043 Cylinder Guard is a hardened-steel, free-swiveling ring to protect cylinder from vandalism such as prying or twisting.

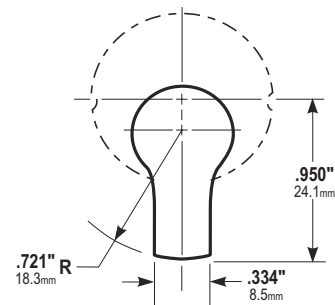
Dimensions of MS cam to operate Adams Rite deadlocks, excluding 4070 Deadlock and 2331 Deadlock.



Dimensions of cam to operate Adams Rite 4070 Deadlock.



Dimensions of cam to operate Adams Rite 2331 Deadlock.



## TRIM

### 1000 TURNS

The 1000 Turns with or without escutcheon are designed to operate Adams Rite MS1847 Deadlocks and 5017 Wood Door Deadlock. These turns mount easily to door pull or other trim plate using push-nut mounting. The 1004 Turn has a longer, more ergonomically-friendly turn lever, the 1015 Turn is available for wood door applications with the 5017 Wood Door Deadlock.

### 3090 KEYLESS ENTRY

A battery-operated keyless entry control device, the eForce-150 3090 Keyless Entry provides access control for Adams Rite deadlocks, deadlatches, and exit devices for aluminum stile, steel, and wood door applications.

The eForce 3090P (Prox) and 3090C (iCLASS) Keyless Entries provide maximum security with either HID® Prox or iCLASS contactless card reader.

### 4550 DEADLOCK LEVER

The 4550 MS Deadlock Lever easily unlocks an MS Deadlock with approximately 3 pounds of downward force. The spring-loaded lever relocks with an upward motion. Can be installed in place of existing key cylinder or cylinder type thumbturn on inside of door.

### DEADLATCH PADDLE

The 4590, 4591 Deadlatch Paddle is an ergonomically-friendly alternative to a knob or lever handle. Operate the MS+1890 Deadlock/Latch or 2190, 2290 Interconnected Deadbolt/Deadlatch with a simple push or pull.