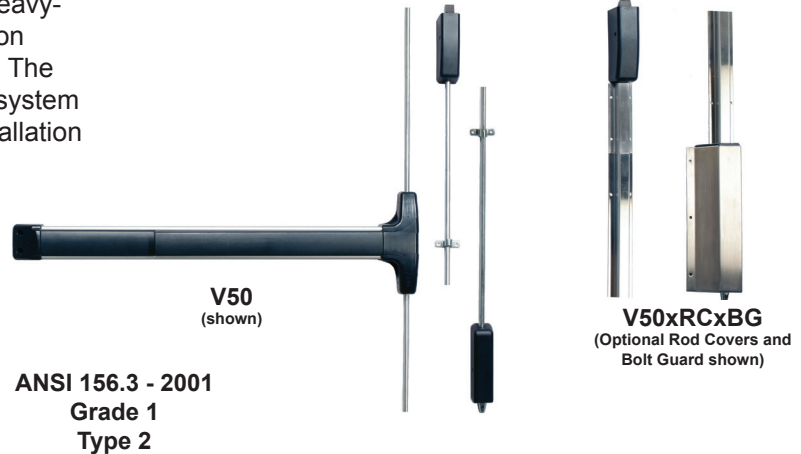


VALUE SERIES®

V50/V51 SERIES

Surface Vertical Rod Device

The **V50 Series, surface vertical rod exit device** and **V51 Series, top rod exit device** are heavy-duty **panic** and **fire exit hardware** for use on all types of double doors without a mullion. The patented mounting plate and strike locator system ensures the easiest and most accurate installation in an economical panic device.



Benefits -

- Priced to be the best value for durable, attractive panic hardware
- Fast and accurate installation
- Fits any door in almost any décor
- Minimal door prep saves time and money
- Outside trims are easily changed or rekeyed without removing device from door

Features -

- Patented mounting plate and strike locator system replaces paper templates
- Handed, field reversible
- Impact resistant ABS and anodized surfaces
- Stainless steel 3/4" deadlocking, Pullman-type top latch bolt
- Field sizable
- Modular design accepts a variety of outside trims and functions
- Bottom drop bolt, 5/8" dia. x 5-5/8" long secures into strike plate
- 1/8 turn dogging
- Standard and narrow stile pull trims available
- Heavy-duty angled end cap
- Heavy-duty ribbed aluminum rail extrusion

Mechanical Options -

- V51 - Top Rod Only
- 84 - Fits 7' Door Height (Std.)
- NS - Fits 2" Narrow stile glass door
- F - 3 Hour Fire Rated
- 96 - Fits 8' Door Height
- 96 Surface top stike top (Std.)
- HD - Hex Dogging (Std.)
- 120 - Fits 10' Door Height
- 96B Bottom dust proof strike
- CD - Cylinder Dogging
- RC - Rod Covers (630 Brushed Stainless)
- Available with 628 base rail extrusion
- LD - Less Dogging
- BG - Bottom bolt and 12" ADA ramped cover (630 Brushed Stainless)
- Available with 711 base rail extrusion
- 36 - Fits 36" Door Widths (Std.)
- 48 - Fits 48" Door Widths

Electrical Options -

- Electric Battery Alarm (EB)
- Electric Hardwired Alarm with Remote Signal (EHxR)
- Refer to Electrified Options section for more information
- Delayed Egress (EE)
- Electric Hardwired Alarm (EH)

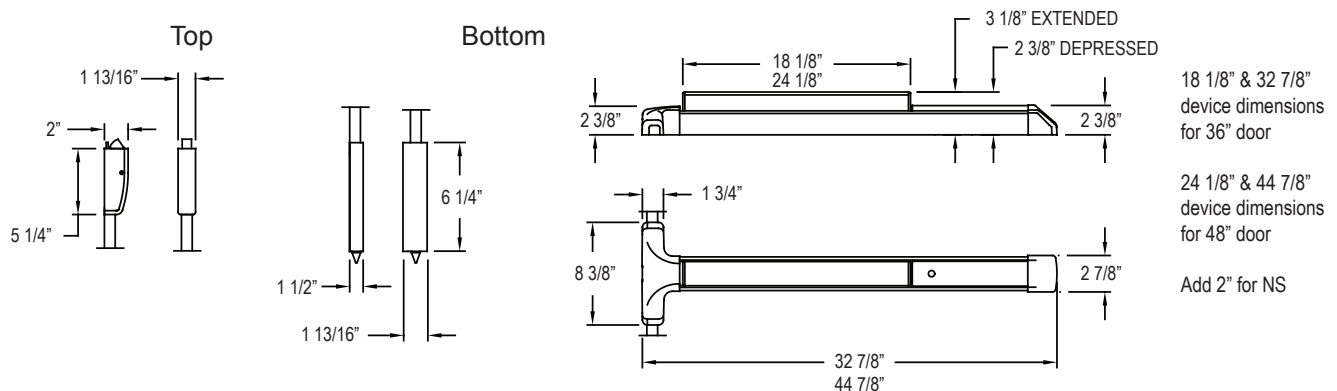
Accessories -

- Outside Trim (see Value Series Trim Options)
- SN1 - Sex Nut Kit (2 per package)
- GB# - Glass Bead Kits
- NSK - Narrow Kit for 2" narrow stile glass door applications

Technical Information -

- Door Stile - Fits 2-1/2" stile doors (Std.)
- Door Stile - Fits 2" narrow stile doors - specify NS
- Fasteners - Machine and Self-Drilling Screws standard

Dimensions -



Listings and Approvals -



UL Listed
Panic Hardware



UL Listed Fire Exit Hardware
for 3 hours, maximum
4'x10' single doors and
8'x10' pairs of doors



Meets ADA requirements



UBC 97, Standard 7-2 and
UL10C for positive pressure



ANSI/BHMA certified A156.3



Meets NFPA 80 & 101
for Life Safety

Detex Limited Warranty -

10 Year Mechanical/3 year Electrical
Limited Manufacturer's Warranty

Where Trust is Built™
DETEX®
Life Safety and Security Door Hardware

Detex Corporation
302 Detex Drive
New Braunfels, Texas 78130-3045 USA
PH. (830) 629-2900
(800) 729-3839
FAX (830) 620-6711
(800) 653-3839
<http://www.detex.com>
USA Sales:
marketing@detex.com
International Sales:
export@detex.com