

# VALUE SERIES®

## Rim Exit Device

---

The V40 Series **rim exit device** is secure and durable **panic and fire exit hardware** at an economical price. It is designed for use on all types of single and double doors with mullions. The patented mounting plate and strike locator system ensures the easiest and most accurate installation of panic hardware available.



**V40**  
(628 Finish)



**V40**  
(711 Finish)

Standard V40 Rim Device accommodates wide stile doors, 3" or greater stile, and flush doors. For Narrow Stile doors, 2" to 2 1/2" stiles, specify V40 NS model which provides a 2" longer device and a lower profile strike.

### Benefits -

---

- Priced to be the best value for durable and attractive loss prevention panic hardware
- Minimal door prep saves time and money
- Outside trims are easily changed or rekeyed without removing device from door
- Fast and easy installation
- Fits almost any door in any décor

### Features -

---

- Patented mounting plate and strike locator
- 1/8 turn hex key dogging
- Withstands over 1400 pounds of static pull force for greater security
- Covers a 161 door prep
- Heavy-duty angled end cap
- Modular design accepts a variety of outside trims and functions
- Stainless steel, 3/4" deadlocking Pullman-type latch bolt
- Heavy-duty ribbed aluminum rail extrusion
- Standard and narrow stile pull trims available
- Non-handed
- High impact ABS and anodized surfaces

### Mechanical Options -

---

- CD - Cylinder Dogging
- F - 3 Hour Fire Rated
- 98 - Semi Mortise Strike
- HD - Hex Dogging (Std.)
- H - Hurricane Rated
- Available with 628 Base Rail Extrusion (Std.)
- LD - Less Dogging
- NS - Narrow stile door option
- Available with 711 Base Rail Extrusion
- 36 - Fits 36" Door Width (Std.)
- 99 - Surface Strike (Std.)

### Electrical Options -

---

- Exit Alarm with 9 volt Battery (EB)
- Exit Alarm with Remote Signal (EHxR)
- Electric Switching (ES)
- Weatherized Exit Alarm (EBxW)
- Electric Integration (EI)
- Request to Exit (EX)
- Electric Dogging (ED)
- Delayed Egress with Magnetic Lock (EM)
- Weatherized Request to Exit (EXxW)
- Delayed Egress (EE)
- Electric Latch Retraction (ER)

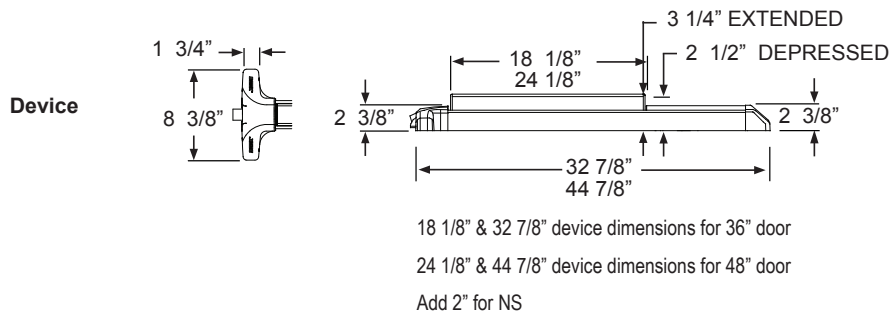
## Accessories -

- SN1 - Sex Nut Fasteners
- GB2 - Glass Bead Kit
- NSK- Narrow Kit - for 2" narrow stile glass door applications that must be added in the field
- Outside Trim (see Value Series Trim Options)
- Optional Sex Nuts or Security Torx Screws available

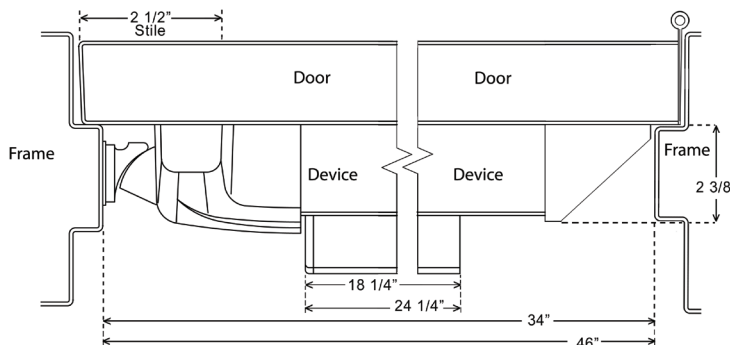
## Technical Information -

- Door Types - Wood, Hollow Metal, Fiberglass or Aluminum
- Door Stile - Fits 2-1/2" stile doors with 99 surface strike (Std.)
- Door Thickness - Fits standard 1-3/4" - 2-1/4"
- Door Stile - Fits 2" narrow stile doors - specify NS
- Machine and Self-Drilling Screws (Std.)

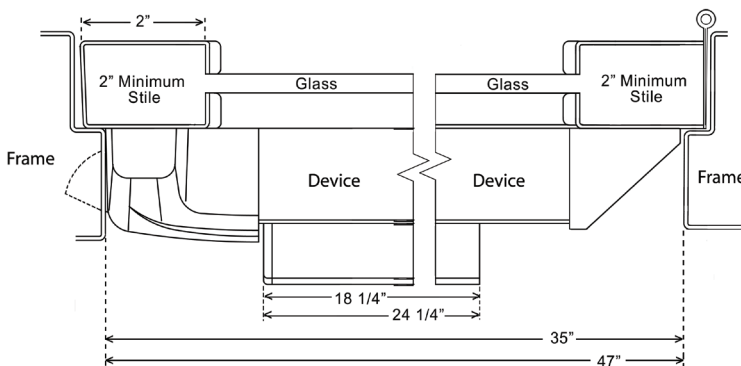
## Dimensions -



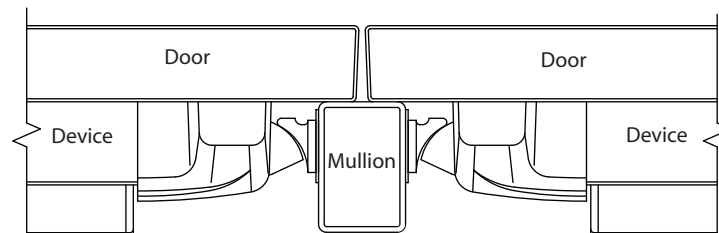
Single Door with 99 strike



Single Narrow Stile Door with 98 strike



Double Doors



## Listings and Approvals -

- UL LISTED US Panic Hardware
- UL LISTED US LISTED UL LISTED Fire Exit Hardware for 3 hours, maximum 4'x10' single doors and pairs of 4'x8' with F90KR keyed removable Mullion
- Meets ADA requirements
- UBC 97, Standard 7-2 and UL10C for positive pressure
- BHMA CERTIFIED ANSI/BHMA certified A156.3
- NFPA Meets NFPA 80 & 101 for Life Safety
- MIAMI-DADE COUNTY NOA 10-0303.02 EXP. 04/07/15
- State of Florida Approval FL9052
- California State Fire Marshall - 4140-0127:105 and 3725-0127:108

## Detex Limited Warranty -

10 Year Mechanical/3 Year Electrical Limited Manufacturer's Warranty

Where Trust is Built™  
**DETEX**®  
 Life Safety and Security Door Hardware

Detex Corporation  
 302 Detex Drive  
 New Braunfels, Texas 78130-3045 USA  
 PH. (830) 629-2900  
 (800) 729-3839  
 FAX (830) 620-6711  
 (800) 653-3839  
<http://www.detex.com>  
 USA Sales:  
[marketing@detex.com](mailto:marketing@detex.com)  
 International Sales:  
[export@detex.com](mailto:export@detex.com)