



The 9400 series is a slim-line, surface mounted electric strike designed to accommodate rim exit devices with a 1/2" throw Pullman latchbolt. All components are completely encased within its 1/2" thick stainless steel housing, so no cutting on the frame is required for installation. Simply place the electric strike on the surface of the frame, align it with the exit latchbolt, and install.

An 1/8" spacer plate is provided to accommodate varying door gaps. The 9400 exceeds Grade 1 standards for strength and performance. It is field selectable for fail secure or fail safe operation, and for 12 or 24 VDC. The 9400 features a smooth cover to conceal the mounting screws and provide a sleek surface for superior looks.

9400 Series

The slim-line, surface mounted solution

Specifications

- UL 1034 burglary-resistant rated and suitable for outdoor use
- UL 294 (6th Edition) listed
- ANSI/BHMA, A156.31 Grade 1
- Patents: 6,390,520; 8,454,063
- RoHS compliant

Frame Application

- Metal
- Wood

Electrical (continuous duty)

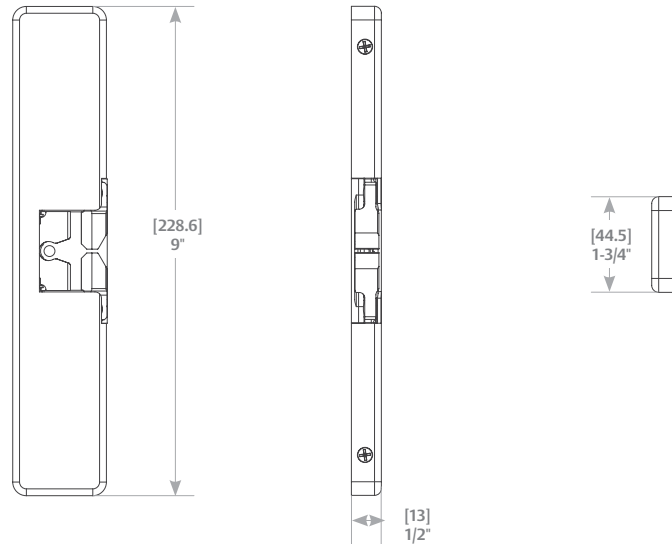
- .45 Amps at 12 VDC
- .25 Amps at 24 VDC

Spacer Plate Included

The 9400 ships with one 1/8" spacer plate included in the box. Units ordered in a 630 finish are stainless steel. All other finishes have a black stainless steel spacer. Additional black spacer plates can be ordered as an accessory.

9400 Models

9400	Universal electric strike	
RF-9400	Integrated Prox	Includes the strike body, Prox reader and door position switch
IC-9400	Integrated iCLASS®	Includes the strike body, iCLASS reader and door position switch



Standard Features

- Installs in metal and wood frames
- Wood screws not provided
- One 1/8" spacer plate included
- Decorative cover for sleek look
- Stainless steel construction
- Tamper-resistant
- Static strength 1,500 lbs.
- Dynamic strength 70 ft-lbs.
- Endurance 500,000 cycles
- Field selectable fail secure/fail safe
- Dual-voltage 12 or 24 VDC
- Horizontal adjustability
- Non-handed
- Internally mounted solenoid
- Accommodates up to 1/2" Pullman latch
- Five-year limited warranty

Optional Features

- LBM** » Latchbolt monitor
- LBSM** » Latchbolt strike monitor

Accessories

- 9000-108** » Spacer plate (black or 630 finish)
- 9000-MTK** » Metal template kit
- SMB** » Surface mounting box
- 2001M** » Plug-in bridge rectifier
- 2004M** » ElectroLynx® adapter
- 2005M3** » SMART Pac® III
- 2006M** » Plug-in buzzer

Finishes

- 630** » Satin stainless steel
- 605** » Bright brass
- 606** » Satin brass
- 612** » Satin bronze
- 613** » Bronze toned
- 613E** » Dark oxidized satin bronze
- 629** » Bright stainless steel



RIM EXIT
DEVICES



FIELD SELECTABLE
(12 OR 24VDC)



FIELD SELECTABLE
(FAIL SECURE /
FAIL SAFE)



GRADE 1



OUTDOOR
RATED



UL 1034
BURGLARY
LISTED

