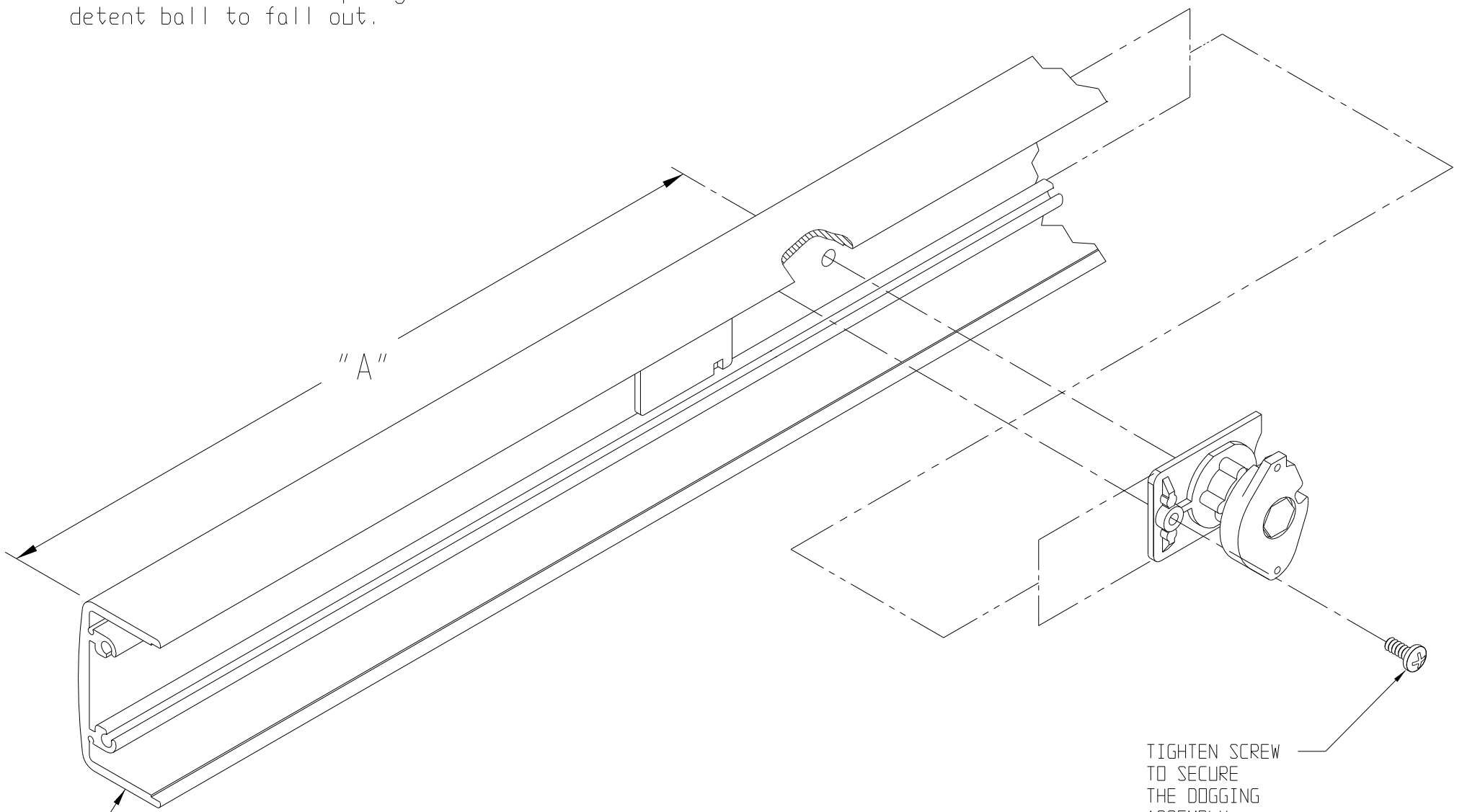


8000 SERIES EXIT DEVICE DOGGING RETROFIT KIT ASSEMBLY INSTRUCTION

WARNING

Care should be taken when installing the new dogging assembly. Do not collapse the main dogging mechanism! This will cause the spring detent ball to fall out.



RETROFIT KIT #	EXIT DEVICES	"A"
91-0956-01	8100/8200	10"
91-0957-02	8300/8400/8500/8600	10"
91-0958-03	8700/8800	10"
91-0958-04	8700EL/8800EL	16"

PRODUCT MUST BE INSTALLED
ACCORDING TO ALL APPLICABLE
BUILDING AND LIFE SAFETY CODES



www.adamsrite.com
Phone: 800-626-7590
800-872-3267
Fax: 866-582-4641
800-232-7329

80-0180-856

INSTALLATION INSTRUCTIONS

Rev. G

Ecn 119550

Date: 07/20/12

Appvd: MP