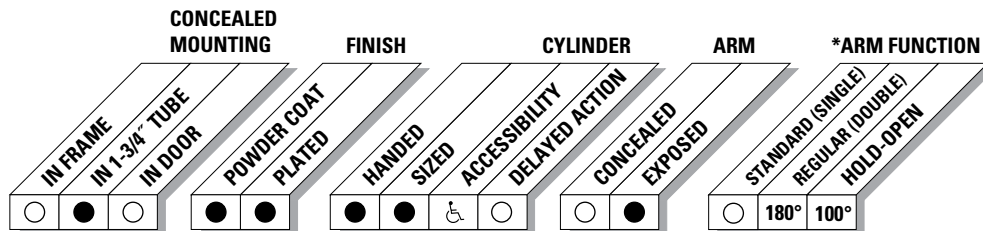


The concealed 5030 Series PACER® is a heavy duty closer designed to fit in a narrow, minimum 1-3/4" aluminum transom. The double lever arm provides superior door control and the choice of finishes and arm functions meet virtually all architectural requirements.

Certifications	Grade 1 - ANSI A156.4, UL 10 C, ADA, 100 Hour Salt Spray, Meets BAA - Buy American Act	Fasteners	Wood Screws and Torx Security Screws (optional)
Body Construction	<ul style="list-style-type: none"> ■ Cast Iron Body ■ Full Complement Bearing ■ 1-1/8" Diameter Piston ■ 11/16" Diameter Double Heat Treated Pinion Journal 	Mounting	Concealed (in tube); aluminum frame requires minimum 1-3/4" (44 mm) x 4-1/2" (114 mm) tube
Fluid	All Weather Fluid	Arms	Regular Arm
Handing	Handed	Finishes/Colors/ Powder Coat	<ul style="list-style-type: none"> ■ Aluminum (689) ■ Statuary Bronze (690) ■ Light Bronze (691) ■ Black (693) ■ Dark Bronze (695) ■ Brass (696) ■ Custom colors optional
Size	Sized 1; 3-6		<ul style="list-style-type: none"> ■ Optional SRI primer - powder coat only ■ Optional plated finishes
Warranty	15 years		

Special Templates

Customized installation templates or products may be available to solve unusual applications. Contact LCN Product Support for assistance.



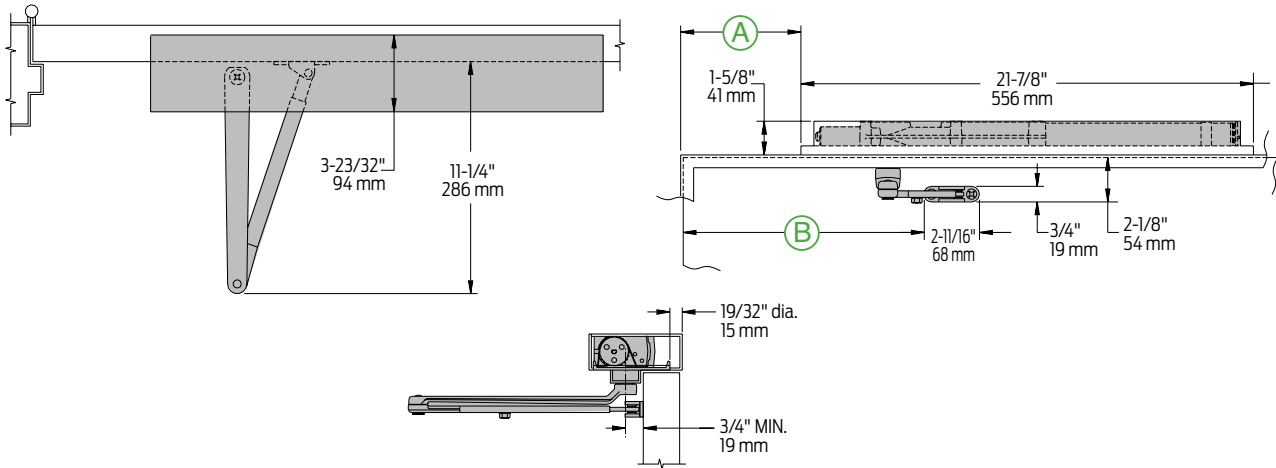
● AVAILABLE
○ NOT AVAILABLE

♿ Closer available with less than 5.0 lbs. opening force on 36" door.
* Maximum opening/hold-open point with standard template. See individual closer series for degrees of opening per installation.

5030 Series

Mounting details

Concealed Mounting



Butt Hinges	Should not exceed 6" (152 mm) in width
Auxiliary Stop	Recommended at hold-open point or where the door cannot swing 180°
Wood Frame	<ul style="list-style-type: none"> Installation simplified by WOOD MOUNTING CLIP SET 5030-416 for center pivoted or 5030-417 for offset pivoted and butt hung installations Consult factory for preparation details
Top Rail	Minimum 2-1/8" (54 mm) required
Door Thickness	Maximum 1-3/4" (44 mm), for doors thicker than 1-3/4" consult factory
Maximum opening	<p>Butt hung doors can be templated for</p> <p>100°: A = 5-13/16" (148 mm) B = 11-13/16" (300 mm)</p> <p>180°: A = 2-1/16" (52 mm) B = 8-1/16" (205 mm) trim permitting</p> <ul style="list-style-type: none"> Hold-open points up to 100° only with hold-open arm Center pivot mounting restricts opening to 120°. Hold-open up to 120° with hold-open arm Offset pivot mounting allows up to 115°, trim permitting. Hold-open up to 115° with hold-open arm

Notes:

- For interior or exterior doors
- Single acting cylinder in head frame
- Exposed arm on push side of door

Cylinder



5031(3)(4)(5)(6)-3071 Cast Iron Cylinder Assembly

- Handed
- With mounting plate
- Standard

Arms



5030-3077 Regular Arm

- Non-handed



5030-3049 Hold-Open Arm

- Handed
- Provides hold-open function for 100° template, adjustable at elbow
- Optional

Installation Accessories



5030-416 Wood Mounting Clip Set

- Simplifies mounting center pivoted 5030 closer in wood frame
- Includes latch stile clip, hinge stile clip, and cover.
- For use with Ives Series center pivots
- Consult factory for special template



5030-417 Wood Mounting Clip Set

- Simplifies mounting offset pivoted or butt hung 5030 closer in wood frame.
- Includes two clips.
- For use with offset pivots.
- Consult factory for special template.

How-to-order 5030 Series closers

Select cylinder size

- 5031
- 5033
- 5034
- 5035
- 5036

Select hand

- RH
- LH

Specify finish

- Standard Powder Coat _____
- Aluminum, Dark Bronze, Statuary, Light Bronze, Black, Brass

Closer will be shipped with:

- Standard cylinder with mounting plate
- Regular arm
- Wood and machine screw pack unless options listed below are selected.

Closer options

Arm

- Hold-Open (H)

Finishes

- Custom Powder Coat (RAL) _____
- Plated Finish, US _____
- SRI primer (use with powder coat finishes only)

Installation accessories

- Wood Clip Set, 5030-416
- Wood Clip Set, 5030-417

Screw pack

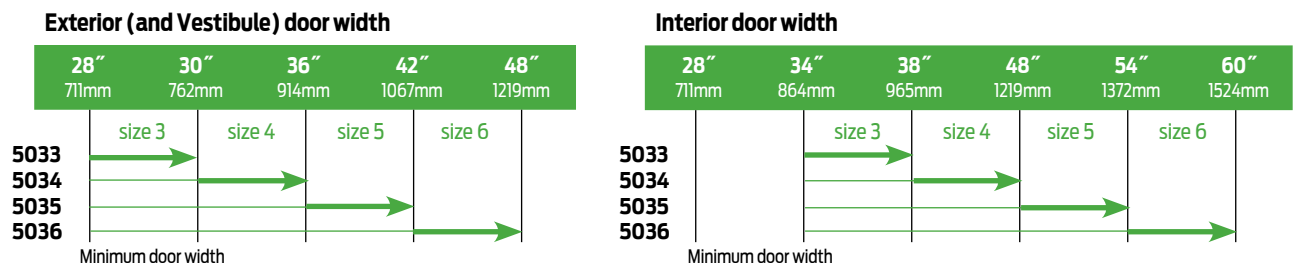
- TORX Machine Screw (TORX)

Special template

- ST- _____

Table of sizes

- Select closer based on width of door
- 5030 Series cylinders available in size 1, 2, 3, 4, 5 or 6
- Closing power of all 5030 Series closers may be increased 50%
- Specify next higher size closer where strong drafts exist




→ Indicates recommended range of door width for closer size.
 Note: Minimum door width 28" (711 mm).

Reduced opening force 5030 Series closers

CAUTION! Any manual door closer, including those certified by BHMA to conform to ANSI Standard A156.4, that is selected, installed and adjusted based on ADA or other reduced opening force requirements may not provide sufficient power to reliably close and latch a door.

Refer to POWER OPERATORS section for information on systems that meet reduced opening force requirements without affecting closing power.

* Maximum opening force.

	DOOR WIDTH	36"	42"	48"
	8.5* lbs.	5033	5033	5033
5.0* lbs.	5031	5031	5033	