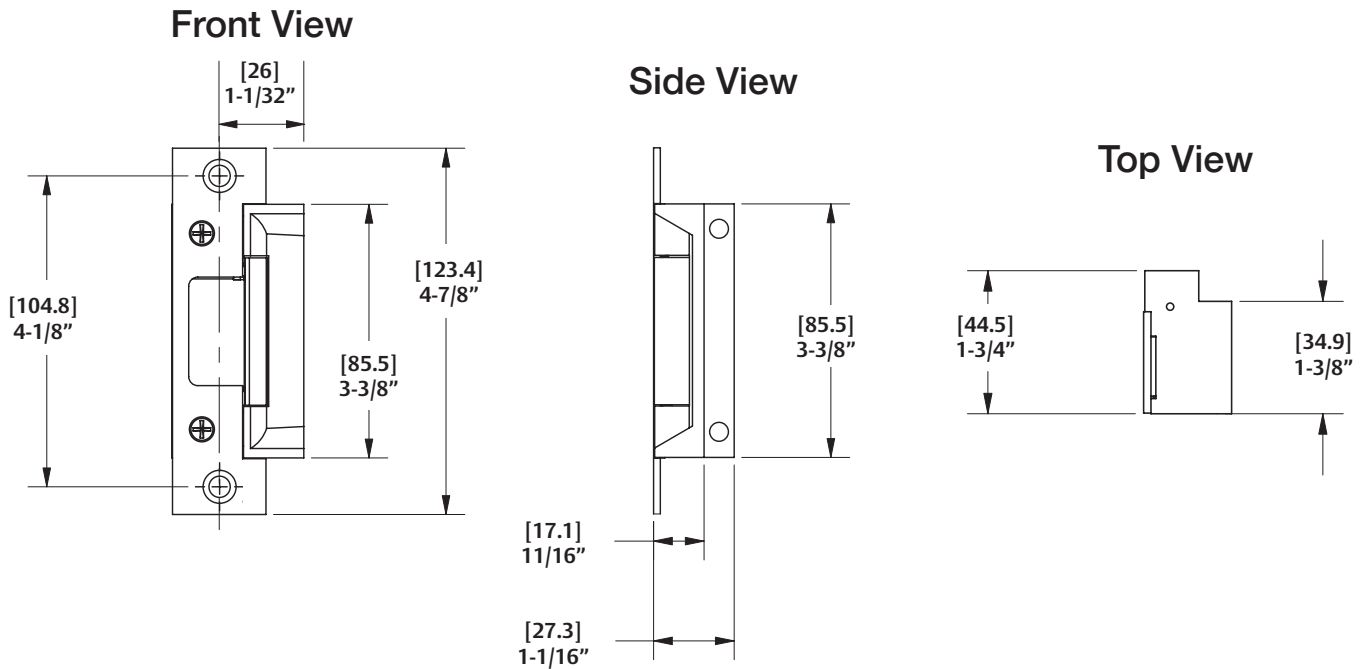


# HES 5000 Electric Strike Dimensional Drawings



*diagram shown with 501 option*