

4800 Series Strikes



HOLLOW
METAL



WOOD

4800 Series Strikes add aesthetics and finish to strike cutouts in jambs.

4800 Series

Function

With vertical adjustment to accommodate door/jamb misalignment and a shim system for horizontal positioning to match various jamb bumper designs, the 4800 Series Strikes can be fit to nearly any sliding door using a mortised MS1847 Deadlock or latch. 4801 strikes are furnished with sheet metal screws for metal jamb installation. 4802 strikes are furnished with machine screws and tee nuts which are installed on the back side of the jamb to provide the strongest possible anchorage in wood.

Specifications

MATERIAL

- Steel, heat treated. Shims are ABS plastic. Zinc (603) finish.

MS4804

Function

This reinforcing strike provides strength equal to the strength of the stainless steel bolt of the MS1847 Deadlock: tested to 1,000 lbs. of force. This strength by far exceeds the standards of the Architectural Aluminum Manufacturers Association as well as the strictest current municipal security ordinance.

Specifications

FACEPLATE

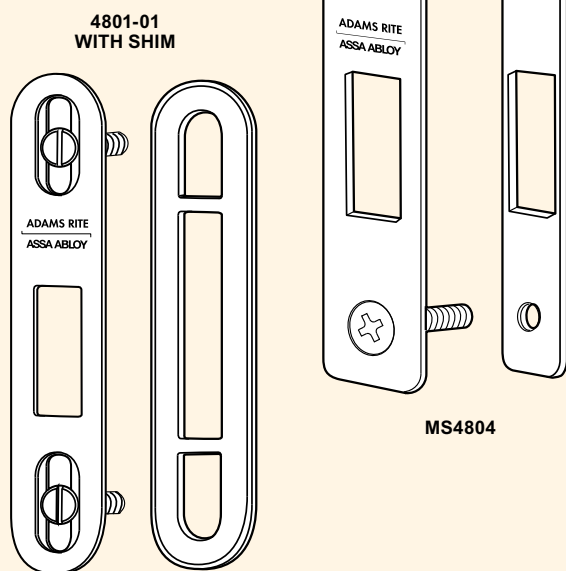
- Measures 1/16" x 3/4" x 3-3/8". Steel, plated for corrosion resistance. MS4804-10 available in stainless steel.

REINFORCING PLATE

- Measures 1/16" x 1/2" x 3-3/8". Steel, plated for corrosion resistance. Tapped for furnished #10-32 flathead screws.

STANDARD PACKAGE FOR BOTH 4800 AND 4804

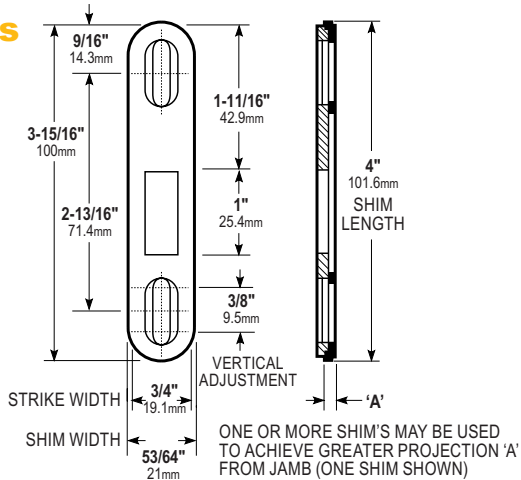
- All strikes are individually packaged in envelope with screws and shim if required.



All measurements are approximate and are provided for informational purposes only. Refer to the product Installation Instructions.

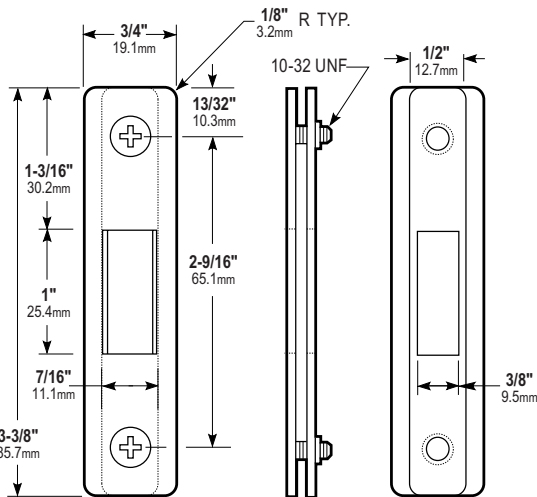
Dimensions

4800 Series



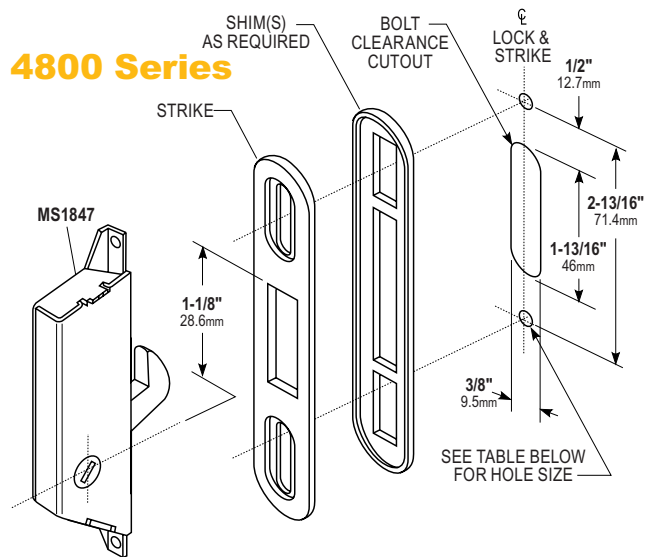
APPLICATION	PART NO.	SHIMS	DIMENSION 'A'
METAL JAMBS (furnished with two #8 x 1 sheet metal screws)	4801	NONE	0
	4801-01	1	3/32" (2.4mm)
	4801-02	2	3/16" (4.8mm)
	4801-03	3	9/32" (7.1mm)
WOOD JAMBS (furnished with two #8-32 x 7/8" machine screws and two tee nuts)	4802	NONE	0
	4802-01	1	3/32" (2.4mm)
	4802-02	2	3/16" (4.8mm)
	4802-03	3	9/32" (7.1mm)

MS4804



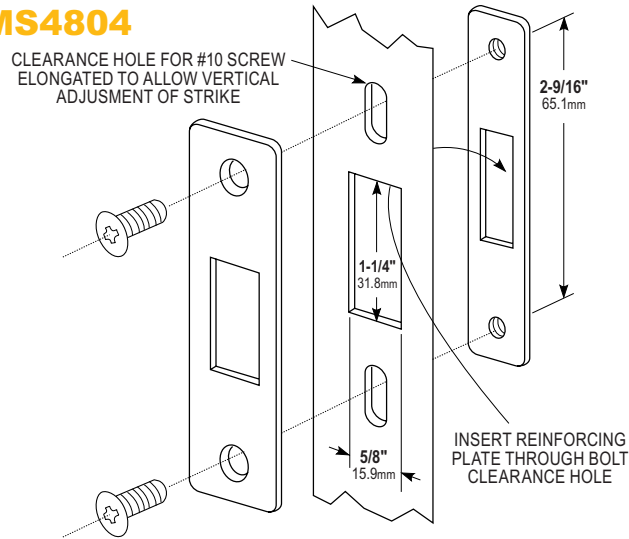
Jamb Preparation

4800 Series



	HOLE SIZE	
METAL JAMB APPLICATION 4801 SERIES	1/8" (3.2mm)	(No. 31 DRILL)
WOOD JAMB APPLICATION 4802 SERIES	7/32" (5.6mm)	(No. 3 DRILL)

MS4804



4800, MS4804 STRIKES

Specify quantity and the following information. Order related products separately.

	TYPE OF JAMB	DIMENSION 'A'
480	1	-02
	1 Metal	01 3/32"
	2 Wood	02 3/16"
		03 9/32"

	FINISH
MS4804	-630
	630 Satin Stainless

COMPATIBLE PRODUCTS This product is compatible with the following products:

Deadlocks
MS1847 Deadlock