

# 4590 Deadlatch Paddle

The 4590 Deadlatch Paddle is an ergonomically-friendly alternative to a knob or lever handle. Operate with a simple push or pull.

## Function

An alternative to knob or lever handles. Makes opening a latched door as natural as opening an unlatched one – just push or pull in the direction the door swings. Available for any Adams Rite 4300, 4500 or 4900 Series Deadlatch, MS+1890 Deadlock/Latch, or 2190/2290 Interconnected Deadbolt/Deadlatch.

## Operation

Available in four configurations: push to left, push to right, pull to left, and pull to right.

## Specifications

### PADDLE

- Extruded aluminum, 628 Clear Anodized finish (US28). 313 Dark Bronze Anodized and 335 Black Anodized are also available.

### ESCUTCHEON

- Zinc alloy with black finish. Houses steel operating mechanism. Secured to door stile with special binder posts that extend into the escutcheon to rigidly resist torque loads in any direction.

### CAM PLUG

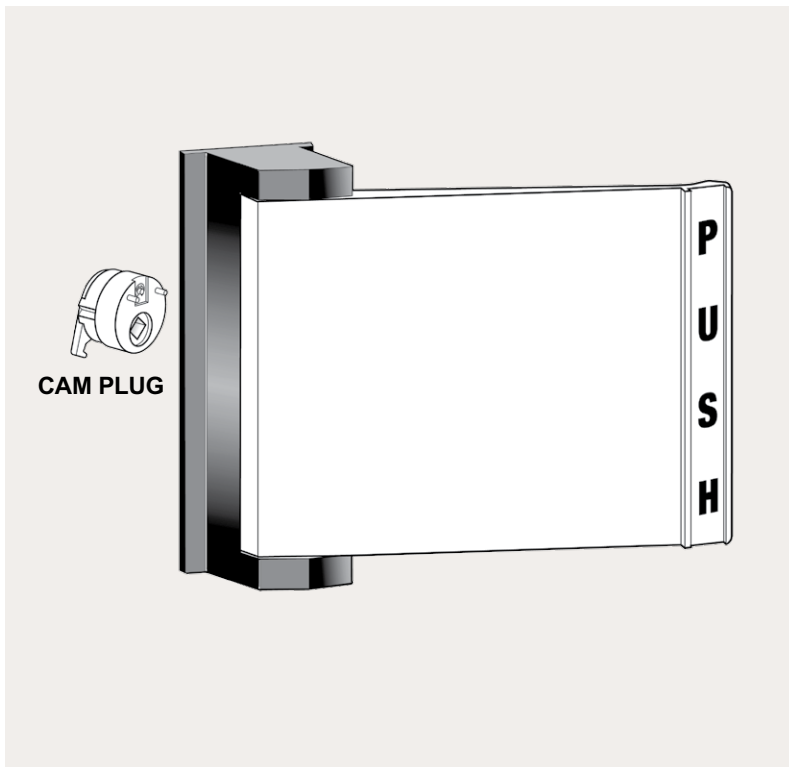
- Furnished for use with 4300, 4500 and 4900 Series Deadlatches. Cam plug not for use with MS+1890 Deadlock/Latch or 2190/2290 Interconnected Deadbolt/Deadlatch. Secured in latch body by cylinder setscrew, plug is also rigidly tied to escutcheon by hardened steel pins.

### OPTIONS

- First dash number specified operation (handing) and compatible latch. Second dash number can be used to specify non-standard units for doors thicker than 1-3/4" (see dash table on back of page).

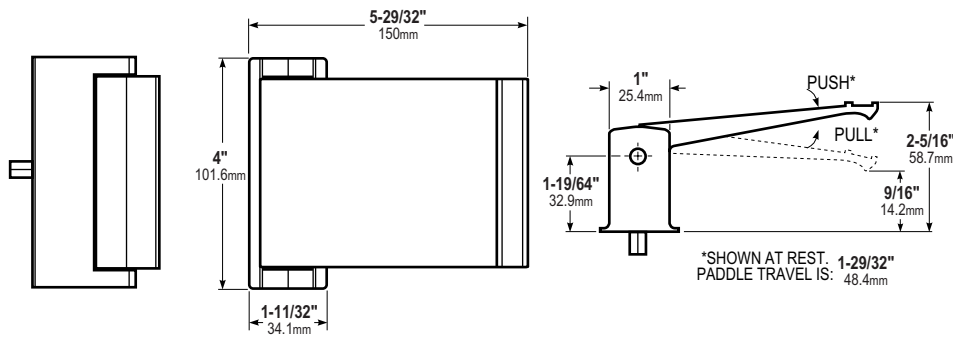
### STANDARD PACKAGE

- Individually boxed with mounting hardware. Units for 4300, 4500 or 4900 Series Deadlatches include cam plug. Shipping weight: 1-1/2 lb.



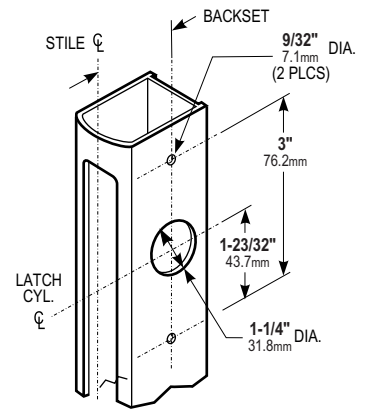
All measurements are approximate and are provided for informational purposes only. Refer to the product Installation Instructions.

### Dimensions

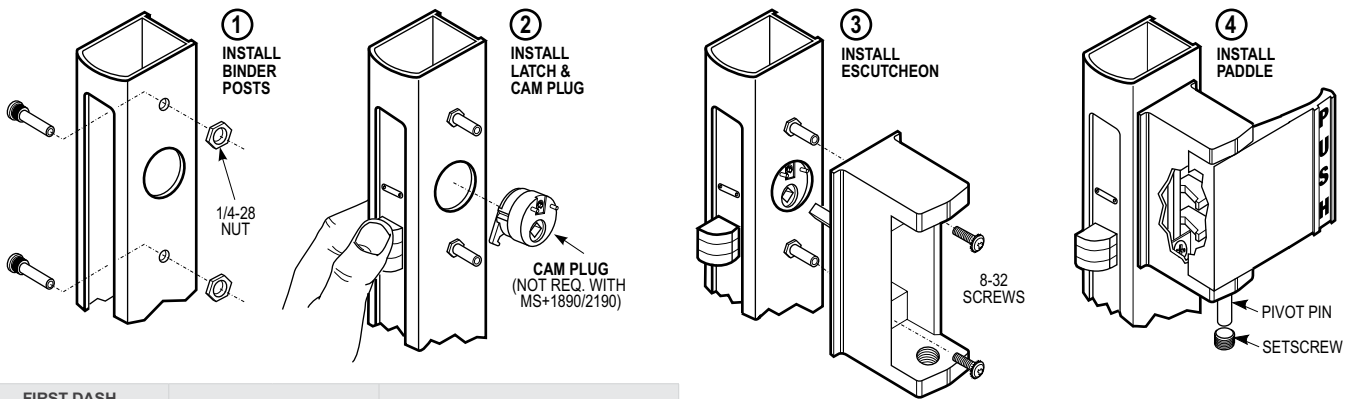


### Stile Preparation

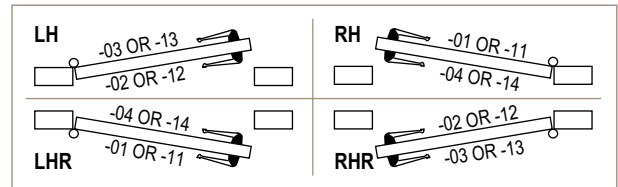
For 4500/4900 latches, see MS+1890/2190 for different hole pattern



### Installation



FIRST DASH FOR LATCH SERIES	OPERATION	USE
-01 4300/4500/4900	PULL TO LEFT	Outside of left hand reverse door or inside of right hand
-11 MS+1890/2190	PULL TO LEFT	Outside of left hand door or inside of right hand reverse
-02 4300/4500/4900	PUSH TO LEFT	Outside of right hand reverse door or inside or left hand
-12 MS+1890/2190	PUSH TO LEFT	Outside of right hand door or inside of left hand reverse
-03 4300/4500/4900	PULL TO RIGHT	Outside of left hand reverse door or inside or right hand
-13 MS+1890/2190	PULL TO RIGHT	Outside of left hand door or inside of right hand reverse
-04 4300/4500/4900	PUSH TO RIGHT	Outside of right hand reverse door or inside of left hand reverse
-14 MS+1890/2190	PUSH TO RIGHT	Outside of right hand door or inside of left hand reverse



### HOW TO ORDER 4590 DEADLATCH PADDLE

Specify quantity and the following information. Order related products separately.

PRODUCT NO.	OPERATION	DOOR THICKNESS		FINISH*
<b>4590</b>	<b>02</b>	<b>-00</b>		<b>-313</b>
	See table above	For 4300, 4500, 4900 Series Deadlatches	For MS+1890, 2190	313 Dark Bronze Anodized
		00 1-3/4"	03 2-3/4" to 3"	00 1-3/4"
		01 1-13/16" to 2"	04 3-1/4"	02 2-5/16" to 2-1/2"
		02 2-1/4" to 2-1/2"		03 2-9/16" to 2-3/4"
				335 Black Anodized
				628 Clear Anodized

\*Paddle only

#### COMPATIBLE PRODUCTS

This product is compatible with the following products:

##### Deadlocks

MS+1890 Deadlock/Latch  
2190/2290 Interconnected Deadbolt/Deadlatch

##### Deadlatches

4300 eLatch Electrified Deadlatch  
4500 Series Standard Duty Deadlatch  
4900 Series Heavy Duty Deadlatch