

4568, 4569 Eurostyle Deadlatch Handles

The 4568 and 4569 Deadlatch Handles easily unlock the 4300, 4500 and 4900 Series Deadlatches. These handles fit solidly into the cylinder hole of the latch.

Function

Designed to operate 4300, 4500 and 4900 Series Deadlatches by a natural downward hand movement, these handles incorporate an activator cam disc that mounts on the handles escutcheon and fits solidly into the cylinder hole of the latch. Not intended for use as a door pull.

Specifications

LEVERS

- Lever of cast aluminum, in choice of 130 Satin Aluminum, 121 Dark Bronze, or 119 Black. Modern European styling offers a generous hand grip with shank offset from the narrow stile jamb for hand safety. 4569 has return end to meet anti-snag code requirements.

ESCUTCHEONS

- Both handles shown use the same 1-3/8" x 4" escutcheon, designed to match the clean lines of a narrow stile door. Steel mounted base is secured by hidden screws and has two large helical compression springs (one becomes a "spare" once handing is given). A 1/4" square heat-treated spindle is part of escutcheon assembly, which interlocks with the cam plug. Finished to match lever.

CAM PLUGS

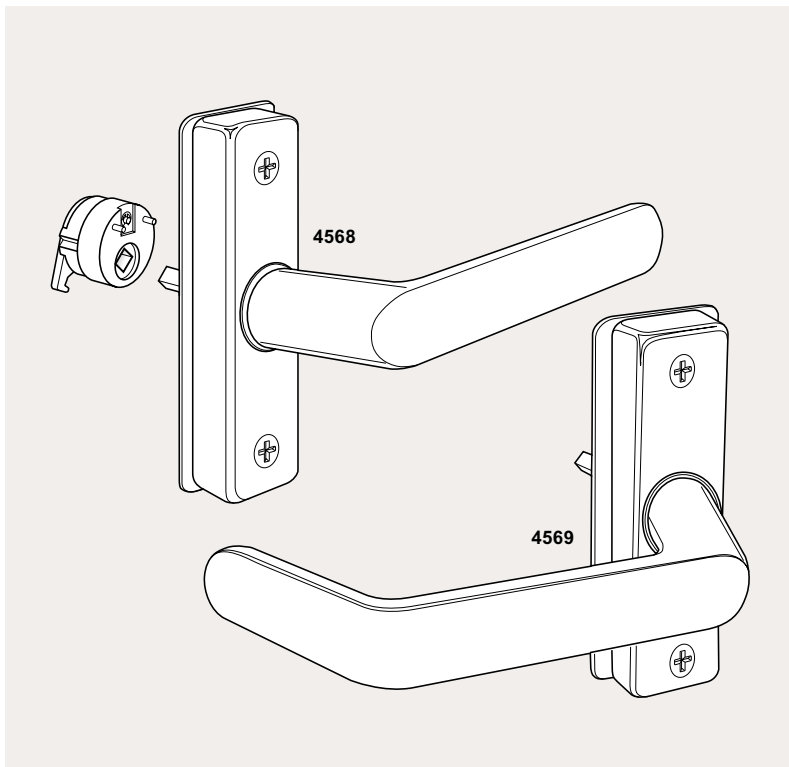
- Secured in latch body by cylinder setscrew, plug is also rigidly tied to handle escutcheon by hardened steel pins. Handing can be reversed by removing a spring clip, reversing the cam, and replacing the clip.

OPTIONS

- Can be ordered for left or right hand door, but is easily reconfigured in the field to accommodate either door swing. The standard handles shown are for 1-3/4" thick doors. Available on special order for doors up to 3-1/4".

STANDARD PACKAGE

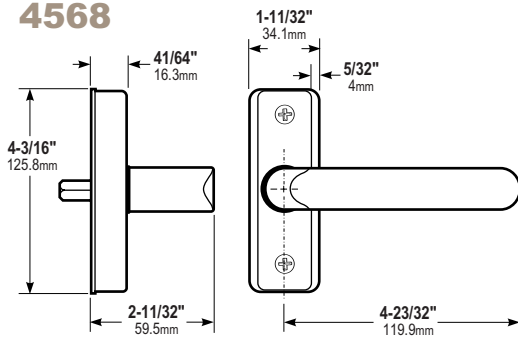
- Packed individually with cam plug handed LH or RH as specified. Mounting screws included. Shipping weight: 1/2 lb.



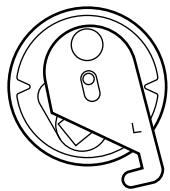
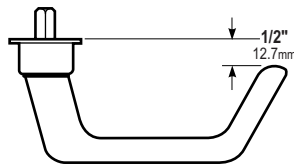
All measurements are approximate and are provided for informational purposes only. Refer to the product Installation Instructions.

Dimensions

4568



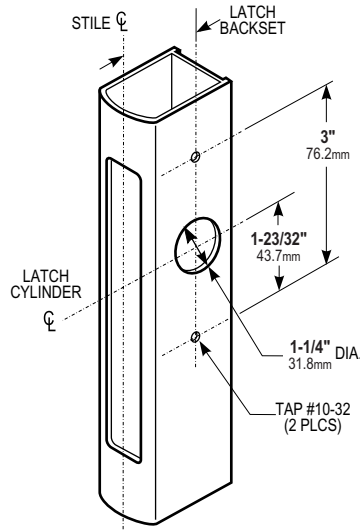
4569



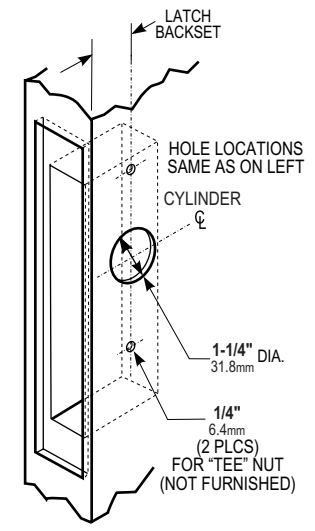
REVERSIBLE 4580 CAM DISC

- Included with 4568 & 4569 handles.
- Required to operate 4500 / 4900 / existing 4700 series latches

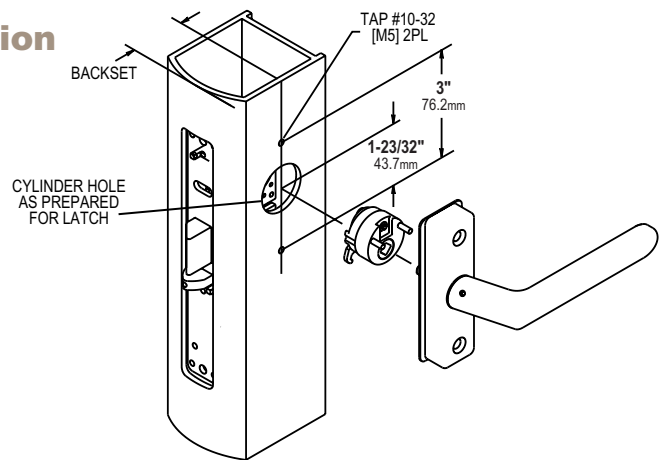
Narrow Stile Preparation



Wood Door Preparation



Installation



HOW TO ORDER 4568, 4569 EUROSTYLE DEADLATCH HANDLES

Specify quantity and the following information. Order related products separately.

PRODUCT NO.	LEVER TYPE	HANDING	DOOR THICKNESS		FINISH
456	8	-5	01		-130
	8 Straight	0 Using MS+1890	For 4300, 4500, 4900 Series Deadlatches	For MS+1890	119 To match 335 Black Anodized
	9 Return End	5 LH or LHR	01 1-3/4" to 2"	11 1-3/4" to 1-15/16"	121 To match 313 Dark Bronze Anodized
		6 RH or RHR	02 2-1/4" to 2-1/2"	12 2" to 2-1/4"	130 To match 628 Clear Anodized
			03 2-3/4" to 3"	13 2-5/16" to 2-3/4"	
			04 3-1/4"	14 3"	

RELATED PRODUCTS

When purchasing this product, please consider the following related products, available separately:

Accessories

Thick door kits, as required.

COMPATIBLE PRODUCTS

This product is compatible with the following products:

Deadlatches

- 4300 eLatch Electrified Deadlatch
- 4500 Series Standard Duty Deadlatch
- 4900 Series Heavy Duty Deadlatch