

HES 4500 Electric Strike Dimensional Drawings

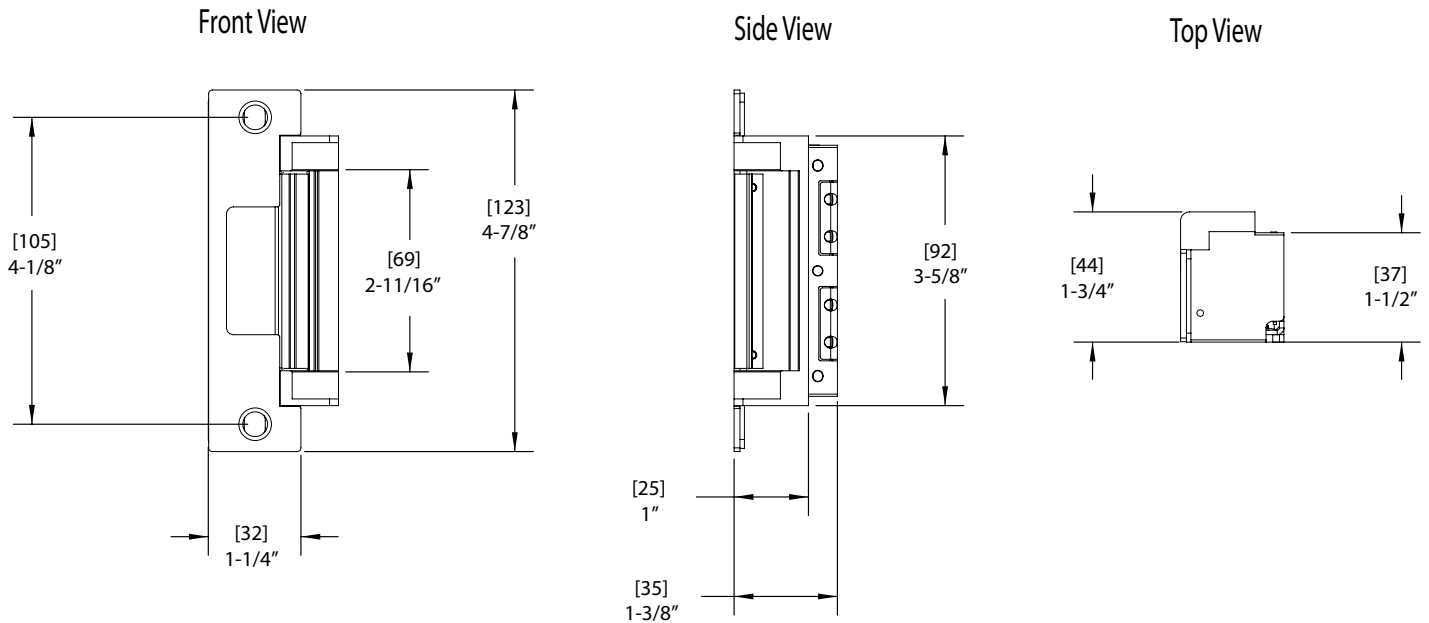


diagram shown with cylindrical faceplate