

4089 Exit Indicator



ALUMINUM

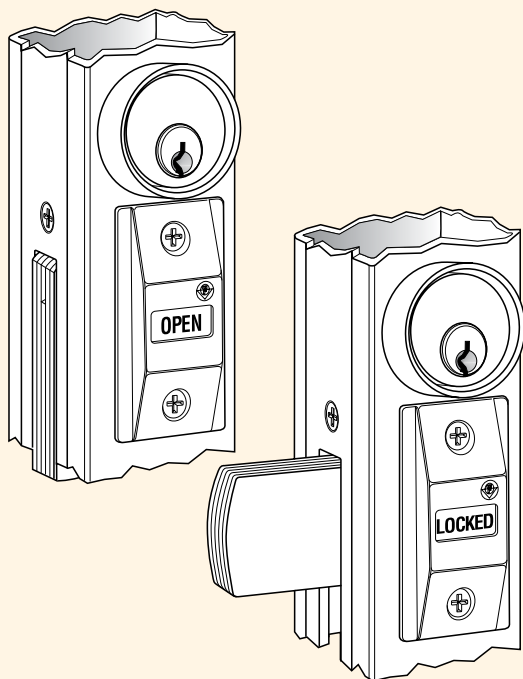
HOLLOW
METAL

WOOD

The 4089 Exit Indicator provides exit door notification for various Adams Rite deadlocks.

Function

Provides unmistakable notification of an exit door's "locked" or "open" condition. Under many local building safety codes, this allows the use, in certain occupancies, of a security deadlock instead of less secure panic devices. It includes two permanent adhesive header signs: "THIS DOOR TO REMAIN UNLOCKED DURING BUSINESS HOURS." (that wording is according to Uniform Building Code). The second sign for NFPA and other local codes reads: "THIS DOOR TO REMAIN UNLOCKED WHEN THE BUILDING IS OCCUPIED."



Specifications

MESSAGE PANEL

- "OPEN" appears in black letters on white background when lock is retracted and "LOCKED" in red letters when actuated. Also available with red (locked) and green (unlocked) wordless panels.

MATERIAL/FINISH

- Indicator escutcheon is zinc alloy with 130 (Satin Aluminum) finish. Also available in 119 satin black and 121 dark bronze. Header sign is clear aluminum match with black letters.

OPTIONS

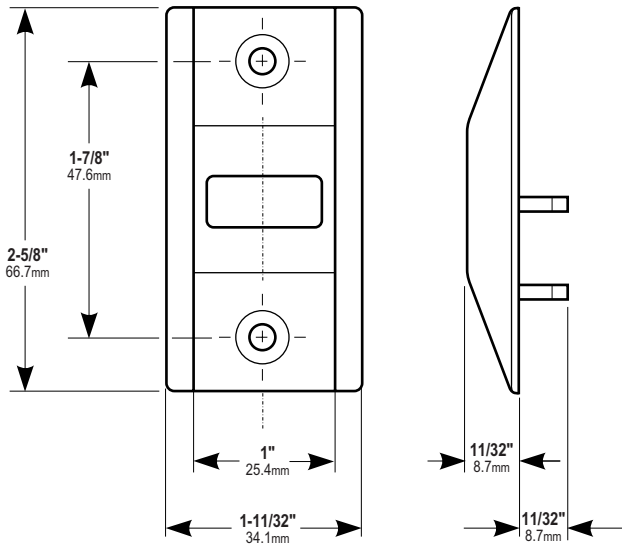
- Standard unit fits 1-3/4" doors. Specify for thicker doors up to 2-1/2".

STANDARD PACKAGE

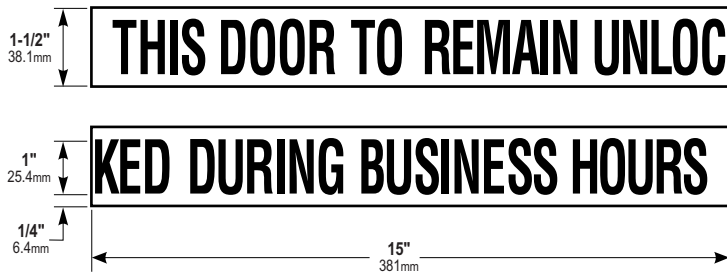
- Shipping weight: 1/2 lb.

All measurements are approximate and are provided for informational purposes only. Refer to the product Installation Instructions.

Dimensions



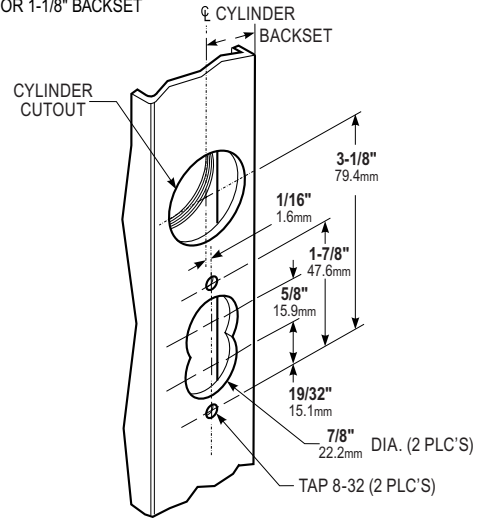
HEADER SIGN - IN TWO PIECES*



*THIS SIGN CORRECT UNDER UNIFORM BUILDING CODE. ALSO INCLUDES NFPA WORDING "THIS DOOR TO REMAIN UNLOCKED WHEN THE BUILDING IS OCCUPIED".

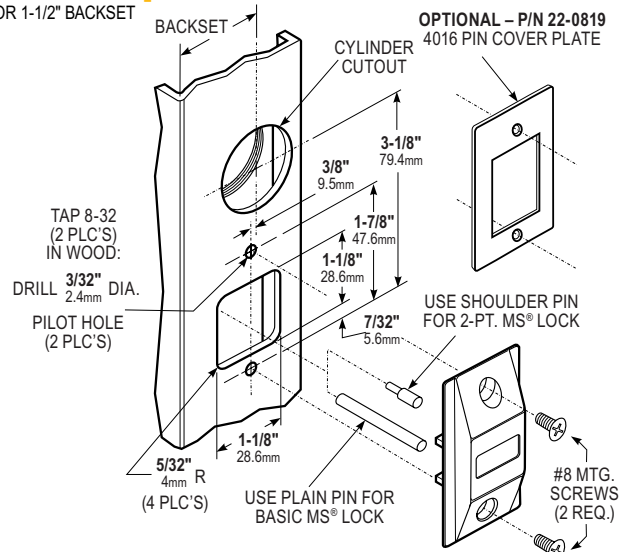
Aluminium Stile Preparation

FOR 31/32" OR 1-1/8" BACKSET



Wood and Hollow Metal Stile Preparation

FOR 1-1/2" BACKSET



4089 EXIT INDICATOR

Specify quantity and the following information. Order related products separately.

	OPTIONS	FINISH
4089	-01	-130
	00 Standard 1-3/4" Door	119 To match 335 Black Anodized
	01 For Inverted Lock	121 To match 313 Dark Bronze Anodized
	20 For Doors up to 2-1/2"	130 To match 628 Clear Anodized

Standard unit fits 1-3/4" doors

RELATED PRODUCTS

When purchasing this product, please consider the following related products, available separately:

Accessories

91-0912 Adapter Plate, 20-0255-IP Header Sign, 20-0256-IP IBC Header Sign, 22-0819 Pin Cover Plate for 4016.

COMPATIBLE PRODUCTS

This product is compatible with the following products:

Deadlocks

MS1830, MS1837, MS1850S(-050), SCH1850S, MS1850SN(-050), SCH1850SN, MS1950(-050), MS+1890.

Flushbolts

1870 Cylinder-Operated Flushbolt.