

4070 Series Short Throw Deadbolt (Projection Style)



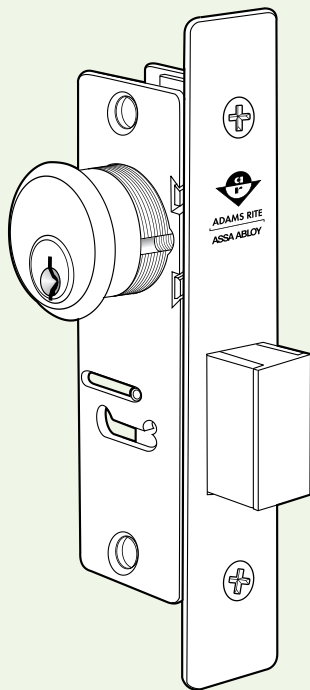
ALUMINUM

GRADE 2
E8212

The 4070 Short Throw Deadbolt provides security for a conventionally projected bolt in installations where the long-throw MS® Deadlock cannot be used. The smaller 4070 offers the longest practical throw from a narrow stile.

Function

For installation where the long-throw MS® Deadlock cannot be accommodated, the smaller 4070 offers the longest practical throw for a conventionally projected bolt from a narrow stile. Operates with one-half key turn of any standard mortise type cylinder or cylinder type thumbturn. This product is not designed for use in bottom rail.



Operation

180° turn of key or thumbturn projects or retracts the bolt. Accepts any standard 1-5/32" mortise cylinder from either or both sides. Cylinder must have special cam to fit (as shown).

Specifications

CYLINDER BACKSET

- 7/8", 31/32", or 1-1/8" only.

CASE

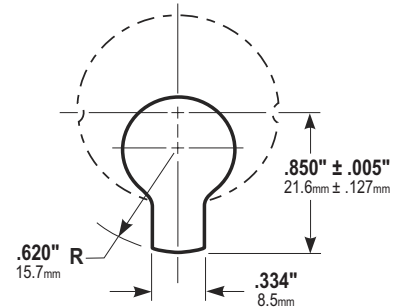
- Steel with corrosion-resistant plating. 1" x 6" x depth. Depth varies by backset.

BOLT

- 5/8" x 1-1/4" x 5/8" throw.

SPECIAL CYLINDER CAM

- 4070 Short Throw Deadbolts are operable by any standard 1-5/32" diameter mortise cylinder with special cam dimensioned as shown. See CYLINDERS section for cylinder make, thumbturn and trim ring information.



STRIKE

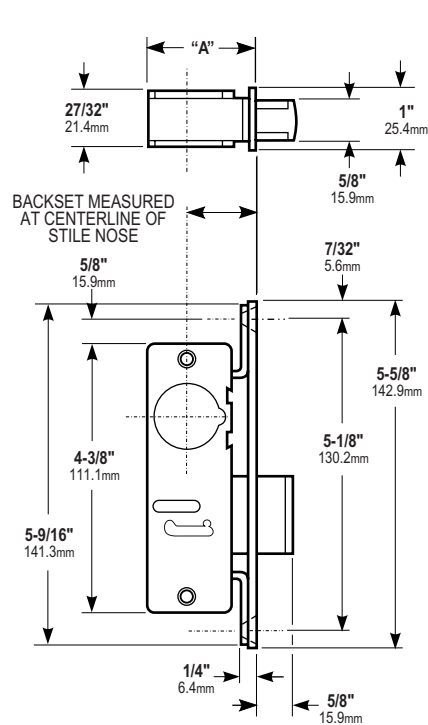
- In metal installations, a slot in door jamb serves as strike. Deluxe trim strike 4170 is also available separately for wood installations.

STANDARD PACKAGE

- Individually boxed with machine screws for mounting. Cylinders and/or thumbturns available separately. Shipping weight: 1/2 lb.

All measurements are approximate and are provided for informational purposes only. Refer to the product Installation Instructions.

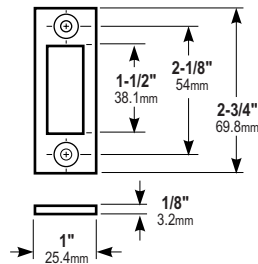
Dimensions



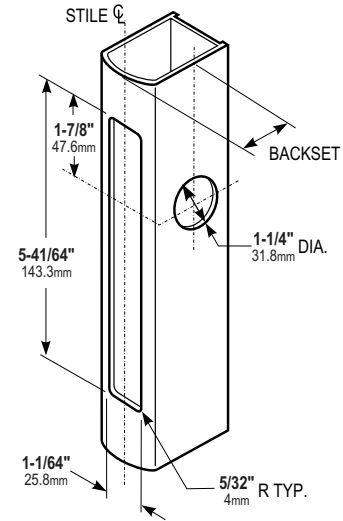
| BACKSET | "A" |
|------------------|--------------------|
| 7/8" 22.2mm | 1-37/64" 40.1mm |
| 31/32" 24.6mm | 1-5/8" 41.3mm |
| 1-1/8" 28.6mm | 1-25/32" 45.2mm |

| ARMORED FACEPLATE 1" X 5-5/8" |
|----------------------------------|
| FLAT 4070 |
| RADIUS 4071 |
| LH BEVEL 4072-X5 |
| RH BEVEL 4072-X6 |

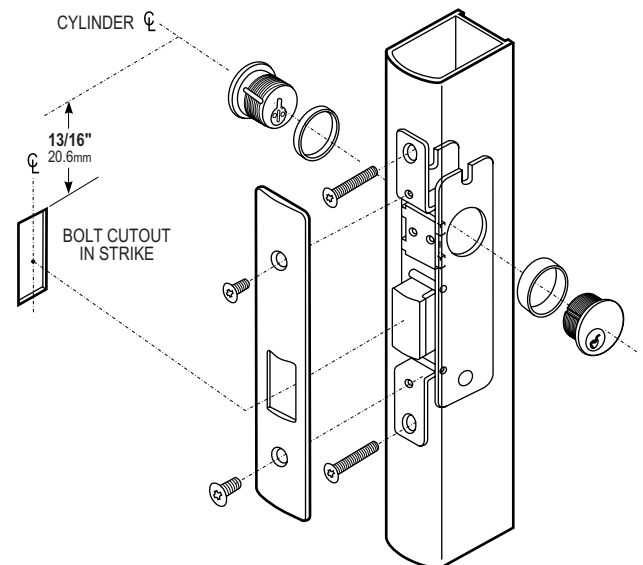
4170 Trim Strike



Stile Preparation



Lock & Cylinder Installation



HOW TO ORDER 4070 SERIES SHORT THROW DEADBOLT (PROJECTION STYLE)

Specify quantity and the following information. Order related products separately.

| PRODUCT NO. | FACEPLATE | BACKSET | HANDING | FINISH |
|-------------|-----------|-----------|---------------|--------------------------|
| 407 | 2 | -2 | 6 | -628 |
| | 0 Flat | 1 7/8" | 5 LH or RHR | 313 Dark Bronze Anodized |
| | 1 Radius | 2 31/32" | 6 RH or LHR | 335 Black Anodized |
| | 2 Bevel | 3 1-1/8" | 0 Non-Handed* | 628 Clear Anodized |

*Any flat or radius faceplate. Specify 4170 Trim Strike if required.

RELATED PRODUCTS When purchasing this product, please consider the following related products, available separately:

Cylinders

4070 Short Throw Deadbolts are operable by any standard 1-5/32" diameter mortise cylinder with special cam.

Accessories

4170 trim strike for wood installations.