

4000 Series mounted closers

APPLICATIONS

- For aluminum, hollow metal, or wood swinging doors and frames.
- Can be used with hinge or pivot mounted door.
- Adapter plates and other installation accessories available for unusual conditions.

FEATURES COMMON TO 4000 SERIES

- Each closer (except 4050, 4050T, 4040XP, 4040XPT, 4030, 4030T) is designed for a specific mounting; hinge side, top jamb, or parallel arm. 4040XP closer with regular or hold-open arm mounts hinge side or top jamb. 4030, 4040XP and 4050 regular parallel arm closers include 62PA SHOE required to parallel arm mount either regular or hold-open arm.
- Handed for right or left swinging doors, except for 4000T, 4030, 4030T, 4040XP, 4050, 4050T and 4040XPT.
- Closers to meet ADA reduced opening force requirements except 4000T.
- Adjustable hydraulic backcheck cushions opening swing prior to 90°.
- Separate regulation of general closing speed and latching speed.
- Joints in regular arm and shoe adapt to uneven trim.
- Reversible shoe to boost latching power on double lever arms.
- Available in a wide range of standard or optional custom powder coat finishes to blend with door and frame.
- Plated finishes available to accent door and frame.
- Not designed for exterior mounting or exposed to elements.

DESIGN ASSISTANCE

LCN has been providing reliable solutions to unique door control problems since 1925. Design and specification assistance are only a phone call away.

Contact LCN for assistance or technical information at **877-671-7011** or **FAX 800-248-1460 (Order Entry)**, Fax **815-879-1495** for Product Support.

WARRANTY

30 year limited warranty; 25 year limited warranty (4050). See General Information Section for complete warranty details.

SPECIFICATIONS

Refer to "SPECIFICATIONS" section for suggested architectural specifications.

MATERIALS

- High strength **cast iron** or **cast aluminum** (4050) cylinder.
- **Forged steel** main arms.
- One piece **forged steel** piston.
- **Double heat treated** pinion.
- LCN's **all weather "Liquid X" fluid** performs to temperature ranges from 120°F (49°C) to -30°F (-35°C) without any seasonal adjustment.
- LCN's standard **all weather fluid** performs to temperature ranges from 120°F (49°C) to -30°F (-35°C).
- **High efficiency, full complement**, low friction bearings.
- Tamper resistant regulating screws.
- Full rack and pinion hydraulic action.
- Quiet, low friction track and roller combination for all single lever arm (track style) closers.

FINISHES

- Available in six standard or optional custom powder coat finishes to blend with door and frame.
- LCN's powder coat finishes surpass 100 hours of salt spray which is over four times the ANSI standard for corrosion resistance.
- For installations where a higher level of corrosive resistance is required, LCN offers an optional special rust inhibiting (SRI) pre-treatment. Closers that combine the exclusive LCN powder coat finish and the SRI pre-treatment exceed the ANSI standard for corrosion resistance even further.
- Plated finishes are available as an option to accent door and frame. (SRI not available with plated finishes).

LISTINGS & APPROVALS

UL listed for self-closing doors without hold-open under "SWINGING DOOR CLOSERS"(GVEV) file R1943.

Tested and certified under ANSI Standard A156.4 Grade One. Consult factory for details.

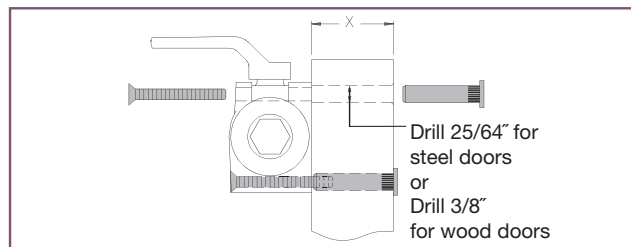
Consult factory for other listings such as; cUL, California State Fire Marshal, Bureau of Standards and Appeals.

POSITIVE PRESSURE

LCN closers have been certified for three hours by UL to be in compliance with UL 10C. Contact LCN for specific details on door closer fire ratings.

FASTENERS

4010, 4010T, 4020, 4020T, 4040XP, 4040XPT, 4050, 4050T, 4110, 4110T Series closers are shipped with: A standard SELF-REAMING and TAPPING SCREW (SRT) pack that contains Phillips head SRT screws to install the closer. 4000T series closers are shipped with: A standard WOOD and MACHINE SCREW (WMS) pack that contains Phillips head wood and machine screws to install the closer. 4030, 4030T series closers are shipped with: A standard WOOD and SELF-TAPPING MACHINE SCREW (WMS) pack that contains Phillips head wood and self-tapping machine screws to install the closer. Standard LCN thru bolts (TB) can be installed on 1-3/4" (44 mm) thick doors with 1/4"-20 machine screws. Optional thru bolt (TB) sizes are available for 1-5/8" (41 mm) or 1-3/8" (35 mm) door thickness, but this must be specified when ordering.



Notes:

1. For Thru Bolts, specify door thickness if other than 1-3/4" (44mm), represented in diagram as dimension "X".
2. Phillips head, metric machine screws are available, please specify.
3. LCN recommends the use of wood screws, available in optional WMS screw packs, for wood door applications.

MAINTENANCE

Closers mounted according to LCN installation instructions require no periodic maintenance or adjustments.



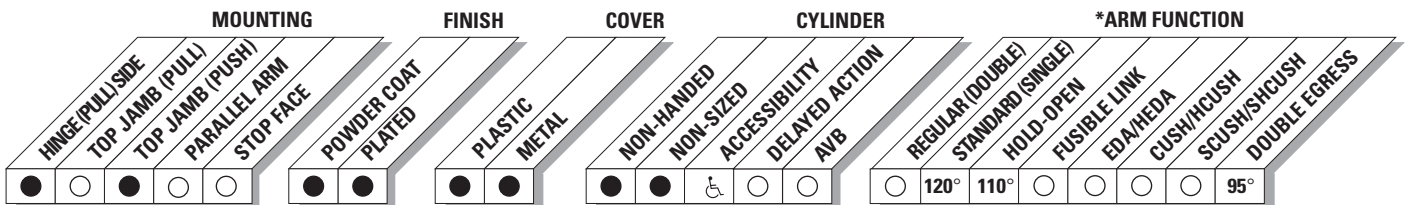
The 4040XPT is LCN's most flexible heavy duty track closer designed specifically for interior doors in institutional and other rugged high traffic applications.

Certifications	Grade 1 - ANSI A156.4, UL 10C, ADA, 100 Hour Salt Spray, Meets BAA - Buy American Act
Body Construction	<ul style="list-style-type: none"> ■ Cast Iron Body ■ Full Complement Bearings ■ 1-1/2" Diameter Piston ■ 3/4" Diameter Double Heat Treated Pinion Journal
Fluid	All Weather Liquid X Fluid
Handing	Non-Handed
Size	Adjustable Spring Size 1-4
Warranty	30 years

Cover	<ul style="list-style-type: none"> ■ Plastic, Standard ■ Metal, Optional
Fasteners	Self Reaming and Tapping Screws (SRT)
Mounting	Pull side on door, pull side top jamb, push side on door
Arms	Standard Arm and Track with Roller
Finishes/Colors/ Powder Coat	<ul style="list-style-type: none"> ■ Aluminum (689) ■ Statuary Bronze (690) ■ Light Bronze (691) ■ Black (693) ■ Dark Bronze (695) ■ Brass (696) ■ Custom colors optional
	<ul style="list-style-type: none"> ■ Optional SRI primer - powder coat only ■ Optional plated finishes

Special Templates

Customized installation templates or products may be available to solve unusual applications. Contact LCN Product Support for assistance.



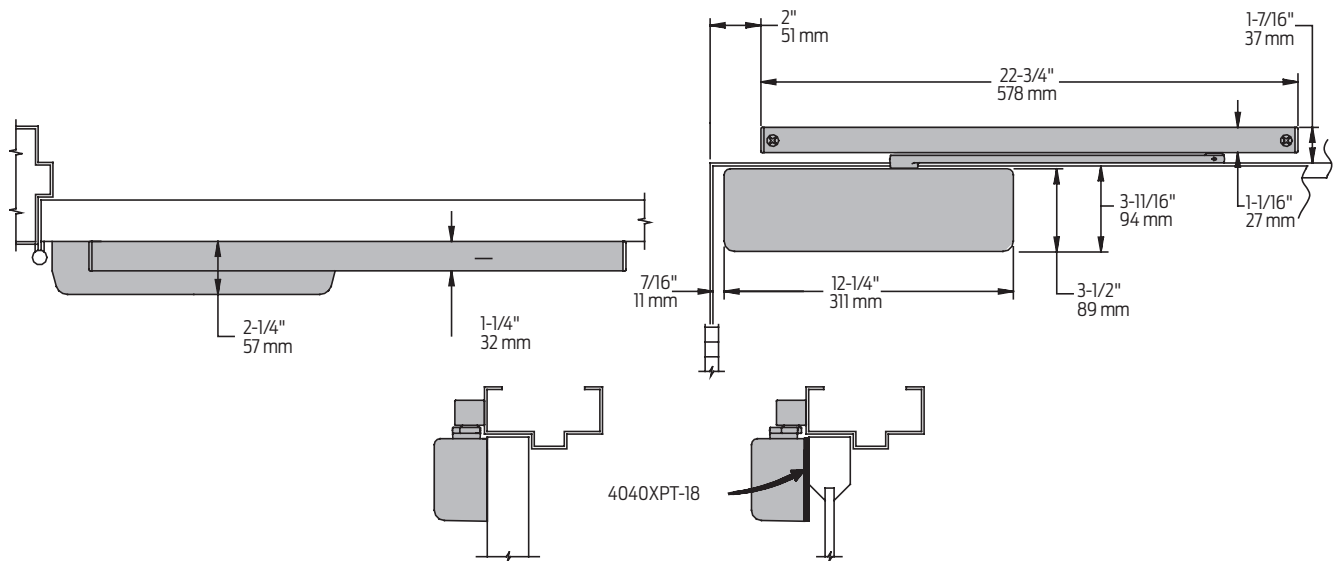
● AVAILABLE
○ NOT AVAILABLE

♿ Closer available with less than 5.0 lbs. opening force on 36" door.
* Maximum opening/hold-open point with standard template.

4040XPT Series

Mounting details

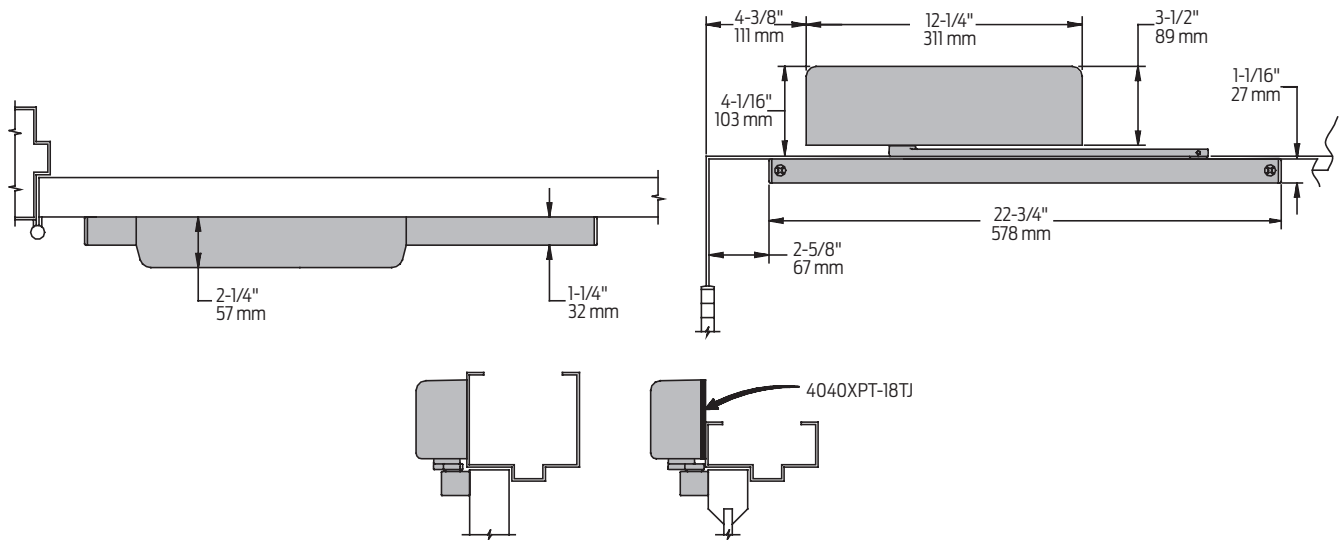
Hinge (Pull Side) Mounting



Butt Hinges	Should not exceed 5" (127 mm) in width
Auxiliary Stop	<ul style="list-style-type: none"> ■ Recommended at hold-open point or where a door cannot swing 120° ■ Optional track bumper assembly assists backcheck in cushioning the opening swing of the door ■ It is not intended to replace an auxiliary stop
Reveal	Should not exceed 1/8" (3 mm) for standard arm
Top Rail	Less than 3-3/4" (95 mm) requires PLATE, 4040XPT-18. Plate requires 1-13/16" (44 mm) minimum
Head Frame	Requires 1-1/4" (32 mm) minimum
Clearance	2-1/4" (57 mm) behind door required for 90° installation
Maximum Opening	<ul style="list-style-type: none"> ■ Templating allows 120° with standard arm, limited to 110° when optional bumper is installed ■ Hold-open points at 85°, 90°, 95°, 100°, 105°, or 110°, depending on the clip location in track

Notes:

- Many track style door closers are capable of allowing 180° of door swing
- The majority of track style closers are at their weakest closing force in the 180° – 130° range
- Consult factory for applications where door must swing 180°



Butt Hinges	Should not exceed 5" (127 mm) in width
Auxiliary Stop	<ul style="list-style-type: none"> ■ Recommended at hold-open point or where a door cannot swing 180° ■ Optional track bumper assembly assists backcheck in cushioning the opening swing of the door ■ It is not intended to replace an auxiliary stop
Reveal	Should not exceed 1/8" (3 mm)
Head Frame	Less than 3-7/8" (98 mm), requires PLATE, 4040XPT-18TJ. Plate requires 1-3/4" (44 mm) minimum
Clearance	1-1/4" (32 mm) behind door required for 180° installation
Maximum Opening	<ul style="list-style-type: none"> ■ Templating allows 180° with standard track arm, limited to 110° with optional bumper installed ■ Consult factory if door will be held open at 180° ■ Hold-open points at 85°, 90°, 95°, 100°, 105° or 110° with hold-open tracks

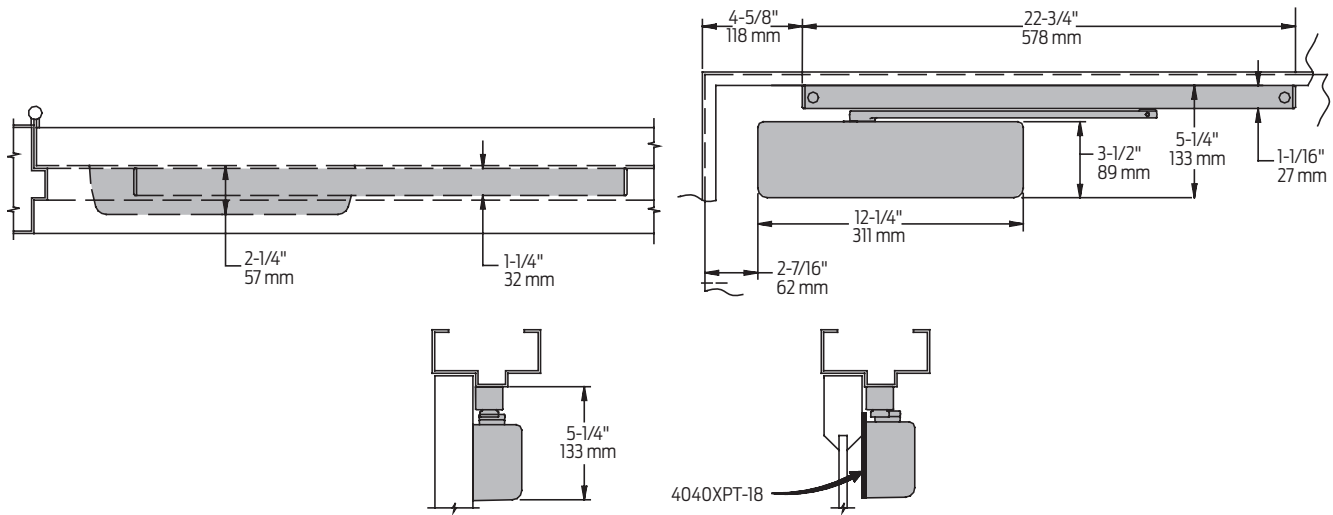
Notes:

- Many track style door closers are capable of allowing 180° of door swing
- The majority of track style closers are at their weakest closing force in the 180° – 130° range
- Consult factory for applications where an exterior or large/heavy door must swing 180°

4040XPT Series

Mounting details

Stop Face (Push Side) Mounting



Butt Hinges	Should not exceed 5" (127 mm) in width
Auxiliary Stop	<ul style="list-style-type: none"> ■ Recommended at hold-open point or where a door cannot swing 120° ■ Optional track bumper assembly assists backcheck in cushioning the opening swing of the door ■ It is not intended to replace an auxiliary stop
Clearance	Projects 2-1/4" (57 mm) from face of door
Top Rail	<ul style="list-style-type: none"> ■ Less than 5-1/4" (133 mm) measured from the stop, requires PLATE, 4040XPT-18 ■ Plate requires 3-1/2" (89 mm) minimum
Stop Width	Minimum 1-1/4" (32 mm)
Maximum Opening	<ul style="list-style-type: none"> ■ Templating allows 120° with standard track arm, limited to 110° with optional bumper tracks ■ Hold-open points at 85°, 90°, 95°, 100°, 105° or 110° with hold-open tracks

Notes:

- Many track style door closers are capable of allowing 180° of door swing
- The majority of track style closers are at their weakest closing force in the 180° – 130° range
- Consult factory for applications where door must swing 180°

Cylinder



4040XPT-3071
Cast Iron Cylinder Assembly

- Non-handed
- Standard

Covers



4040XPT-72
Plastic Cover

- Non-handed
- Snap-on
- Standard



4040XPT-72MC
Metal Cover

- Handed
- Required for plated finishes and custom powder coat finishes
- Optional

Arms



4040XPT-3077T
Standard Arm

- Non-handed
- Arm does not include track roller



4040XPT-3077DE
Double Egress Arm

- Handed
- For double egress doors and frames
- Does not include track roller
- Maximum reveal is 2-11/16" (68mm)
- Optional

Tracks



4040XPT-3038
Standard Track

- Non-handed
- Non hold-open
- Will accept hold-open clip and/or bumper assembly
- Standard



4040XPT-3038B
Standard Track with Bumper

- Non-handed
- Non hold-open
- Will accept hold-open clip
- Optional



4040XPT-3038H
Hold-Open Track

- Non-handed
- With hold-open clip installed
- Will accept bumper assembly
- Optional



4040XPT-3038HB
Hold-Open Track with Bumper

- Non-handed
- With hold-open clip and bumper assembly installed
- Optional

Installation Accessories



4040XPT-18
Plate

- Required for pull side (door mount) installations where top rail is less than 3-3/4" (95 mm)
 - Requires minimum 1-3/4" (44 mm) top rail
- Required for push side (door mount) installations where top rail is less than 5-1/4" (133 mm) measured from the stop
 - Requires minimum 3-1/2" (89 mm) top rail



4040XPT-18TJ
Plate

- Required for pull side top jamb installations where head frame is less than 3-7/8" (98 mm)
- Requires minimum 1-3/4" (44 mm) head frame



4040XPT-169
Track Bumper

- Mounts in track to assist backcheck, does not replace auxiliary stop
- Limits maximum opening. Consists of bumper, bumper post, and mounting screw



4040XPT-3054
Hold-Open Clip

- Mounts in track to provide hold-open function)
- Hold-open point controlled by clip location
- Consists of clip and mounting screws
- Requires 4040XPT-3034H Hold-Open Track Roller



4040XPT-3034
Track Roller

- Quiet, low friction roller assembly
- Shoulder dimension "X" = 1/8" (3mm)



4040XPT-3034H
Hold-Open Track Roller

- Quiet, low friction roller assembly
- Shoulder dimension "X" = 1/8" (3mm)

How-to-order 4040XPT Series closers

1. Select finish

- Standard Powder Coat _____
Aluminum, Dark Bronze, Statuary,
Light Bronze, Black, Brass.

Closer options

Cover

- Metal (specify right or left hand) (MC)

Finish

- Custom Powder Coat (RAL) _____
(handed metal cover required)
- Plated Finish, US _____
(handed metal cover required)
- SRI primer (use with powder coat finishes only)

Track

- Regular with Bumper (BUMPER)
- Hold-Open (HO)
- Hold-Open with Bumper (HBUMPER)

Closer will be shipped with:

- Standard cylinder
- Standard cover
- Standard arm
- Track roller
- Standard track
- Self-reaming and tapping screws
unless options listed below are selected.

Specific Screw Pack

- TB* w/Self-Reaming and Tapping Screws (TBSRT)
 - Wood & Machine Screw (WMS)
 - TB*, Wood & Machine Screw (TBWMS)
 - TORX Machine Screw (TORX)
 - TB* & TORX Machine Screw (TBTORX)
- *Specify door thickness if other than 1-3/4".

Installation Accessories

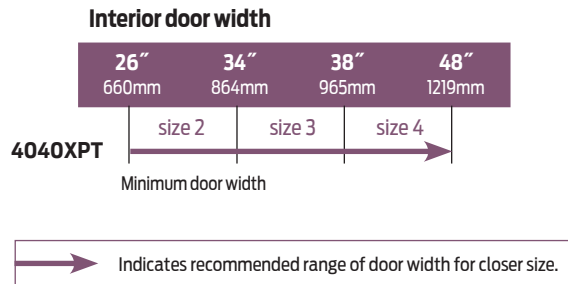
- Plate, 4040XPT-18
- Plate, 4040XPT-18TJ

Special Template

- ST- _____

Table of sizes

- Non-Sized 4040XPT cylinder is adjustable from sizes 1 thru 4 and is shipped set to size 3



Reduced opening force 4040XPT Series closers

CAUTION! Any manual door closer, including those certified by BHMA to conform to ANSI Standard A156.4, that is selected, installed and adjusted based on ADA or other reduced opening force requirements may not provide sufficient power to reliably close and latch a door.

Refer to POWER OPERATORS section for information on systems that meet reduced opening force requirements without effecting closing power.

	DOOR WIDTH	36"	42"	48"
	8.5* lbs.	N/A	N/A	N/A
	5.0* lbs.	4040XPT	4040XPT	4040XPT

* Maximum opening force.