

# 4024, 4025, 4026 Cylinder Pulls

ANSI/BHMA 156.5-2010 E 19231

The 4024, 4025, 4026 Cylinder Pulls are designed to operate Adams Rite MS1847 Deadlocks and the 5017 Wood Door Deadlock.

## Function

Designed for use with Adams Rite MS1847 Deadlocks and 5017 Wood Door Deadlock, these surface mounted pulls allow a sliding glass door to be keyed-in with other types of doors which have key-in-knob or mortise cylinder locks.

## 4024 Cylinder Pull

The 4024 five pin tumbler cylinder is smaller than the 4025 Cylinder Pull and it is symmetrical, designed for mounting door pull or other trim plate. Can be mounted directly on stile where lock mechanism is mounted on inside surface of stile rather than mortised.

## 4025 Cylinder Pull

The 4025 five pin tumbler cylinder has mounting holes spaced to allow clearance around MS1847 Deadlock mechanism for long through-the-stile mounting screws.

## 4026 Cylinder Pull

A five pin tumbler cylinder, the 4026 Cylinder Pull is designed for use with 5017 Wood Door Deadlock for wood door applications.

## Specifications

### TRIM FINISH

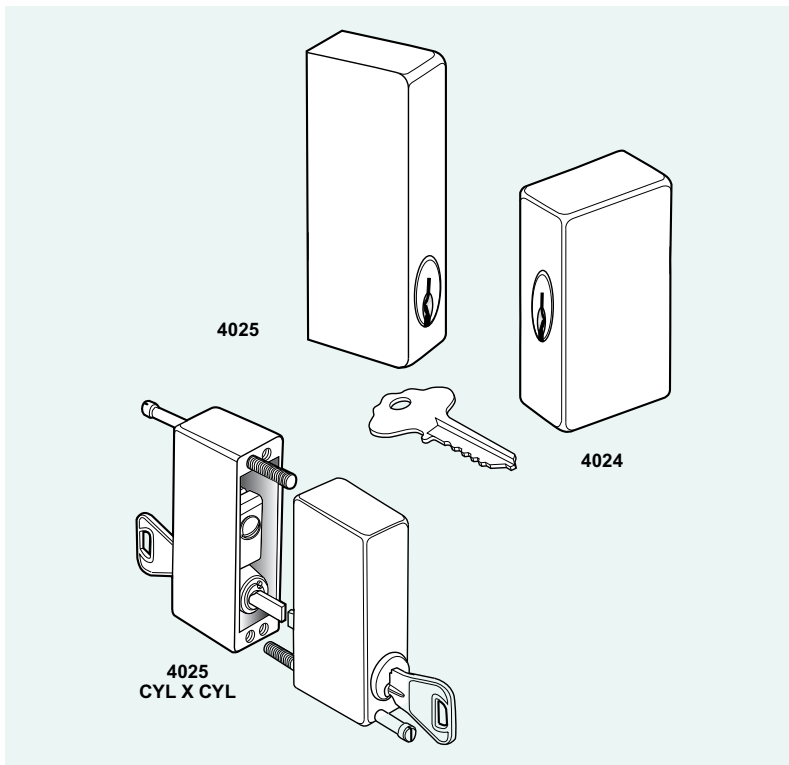
- Zinc alloy housing. Standard finish: 130. Cylinders are brass.

### CYLINDER BOTH SIDES

- A pair of 4025 Cylinder Pulls can be mounted opposite each other with long machine screws. Security is maintained since each side offers access to only one screwhead. Both screws would have to be removed to operate the lock without its key. Specify 4025 CYLxCYL set.

### OPTIONS

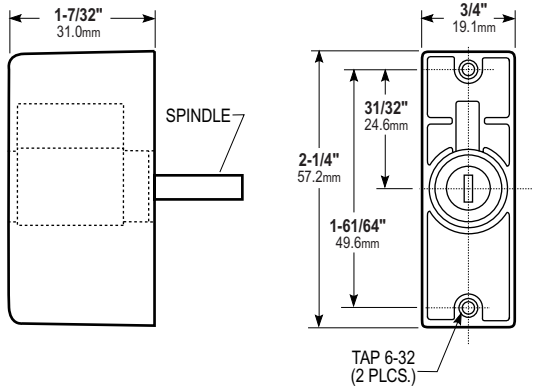
- CYLINDER MAKE: Pulls available with Schlage or Weiser Keyway cylinders.



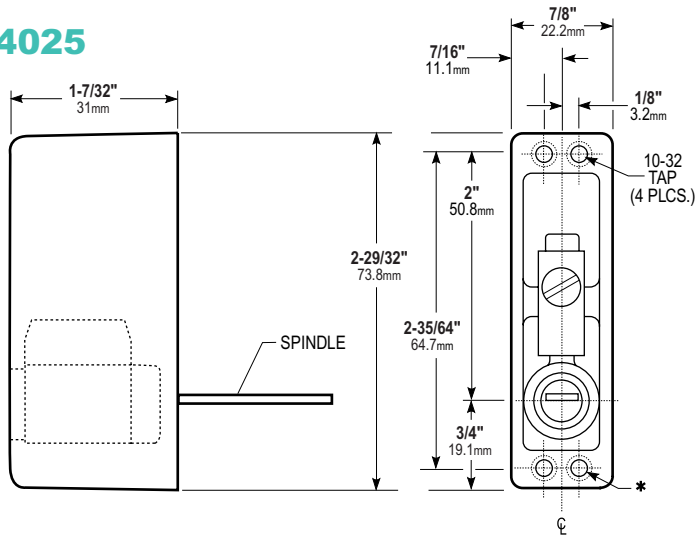
All measurements are approximate and are provided for informational purposes only. Refer to the product Installation Instructions.

### Dimensions

#### 4024



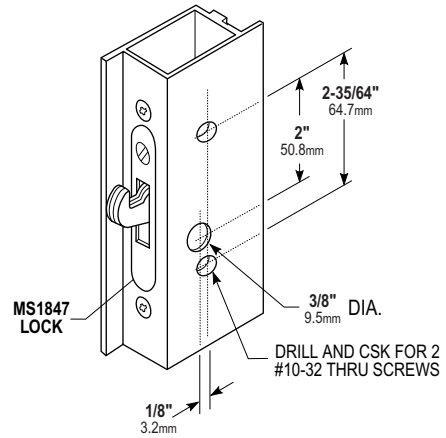
#### 4025



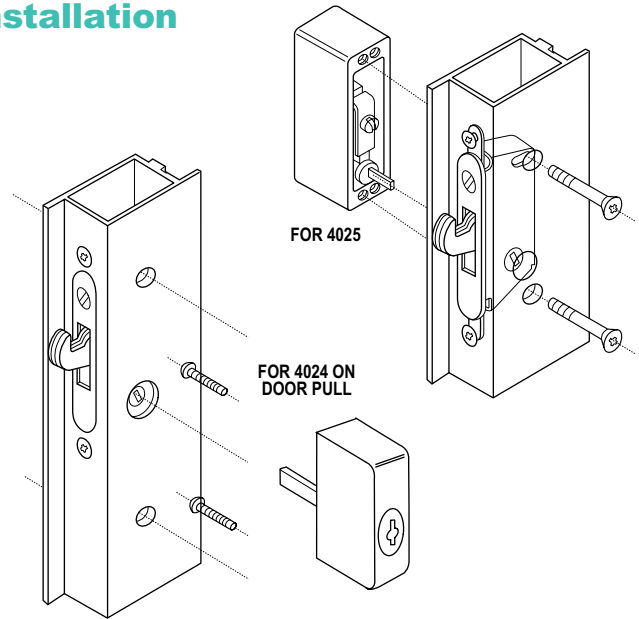
\*4026, like 4025 but with mounting holes on centerline for use with 5017 lock available on high quantity order.

### Stile Preparation

For 4025 mounted directly on stile by two through-screws.



### Installation



### HOW TO ORDER 4024, 4025 CYLINDER PULLS

Specify quantity and the following information. Order related products separately.

PULL TYPE	PULL NO./CYLINDER INCLUDED	FINISH
<b>4024</b>	<b>-05</b>	<b>-130</b>
4024 Trim Plate Mounted	05 Schlage "C: Keyway	119 To match 335 Black Anodized
4025 Stile Mounted with through - screws	06 Weiser Keyway	121 To match 313 Dark Bronze Anodized
4026 For Wood Applications		130 To match 628 Clear Anodized

**COMPATIBLE PRODUCTS** This product is compatible with the following products:

#### Deadlocks

MS1847 Deadlock.

5017 Wood Door Deadlock (4026 only).