

4016 Header Bolt



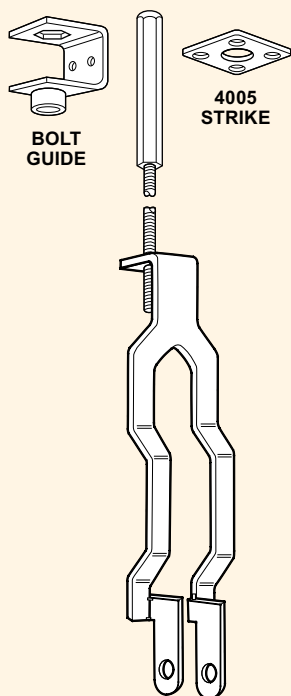
ALUMINUM

GRADE 1
E82111

Security for pairs of doors with single key turning is possible with the 4016 Header Bolt. The three-point lock easily secures the entire double door entrance when working in conjunction with an MS® Deadlock.

Function

Adding the 4016 Header Bolt and the 4015 Threshold Bolt to a pivoted bolt MS® deadlock allows Maximum Security for pairs of doors by the turn of a single key. Simultaneously extending the stainless steel hexbolts top and bottom and pivoting the massive MS® bolt into the mating stile, the three-point lock secures the entire double door entrance. The 4016 Header Bolt can be added to any basic MS1850S, MS1850SN, MS1950 or for two-points top and bottom use with 1870/1870HM Cylinder-Operated Flushbolt. Not applicable to 7/8" backset locks.



Operation

360° turn of key or thumbturn in basic MS® deadlock throws counterbalanced bolt into opposite door and hexagonal bolt into header strike. Key can be removed only when bolts are in a positively locked or unlocked position.

Specifications

DOOR/CYLINDER HEIGHT

- The standard version is designed for a 7' door height with cylinder height as low as 35". Added extension for up to a 10' door available when ordering.

HEADER BOLT

- Hexagonal 3/8" flat to flat. Made of stainless steel.

ADJUSTMENT

- Exact adjustment of threaded rod to door height is locked in place by hexagonal header bolt.

STRIKE

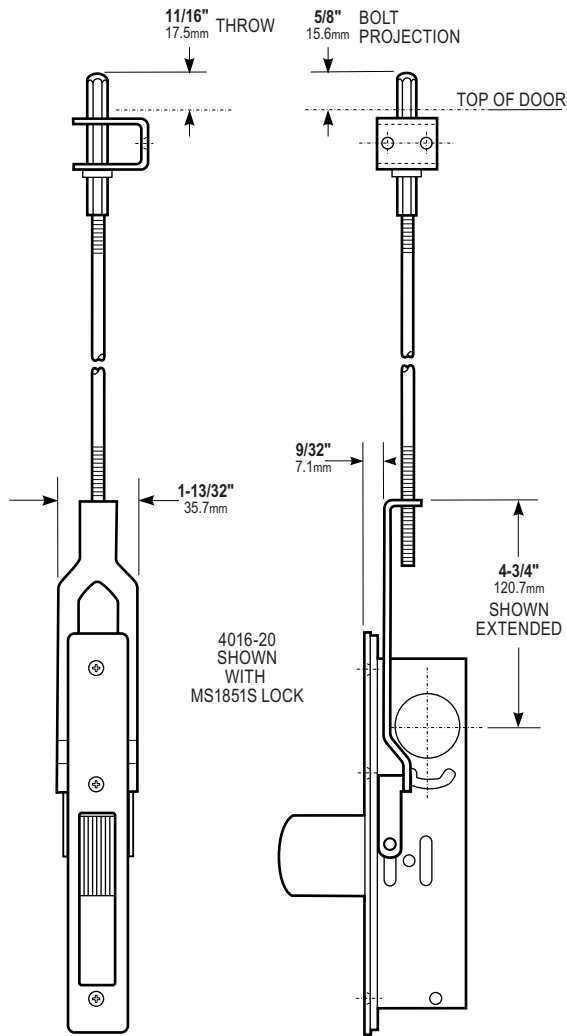
- For header bolt, a 1/2" diameter hole in metal frame is suitable or, for non-metal installation, 4005 strike is available.

STANDARD PACKAGE

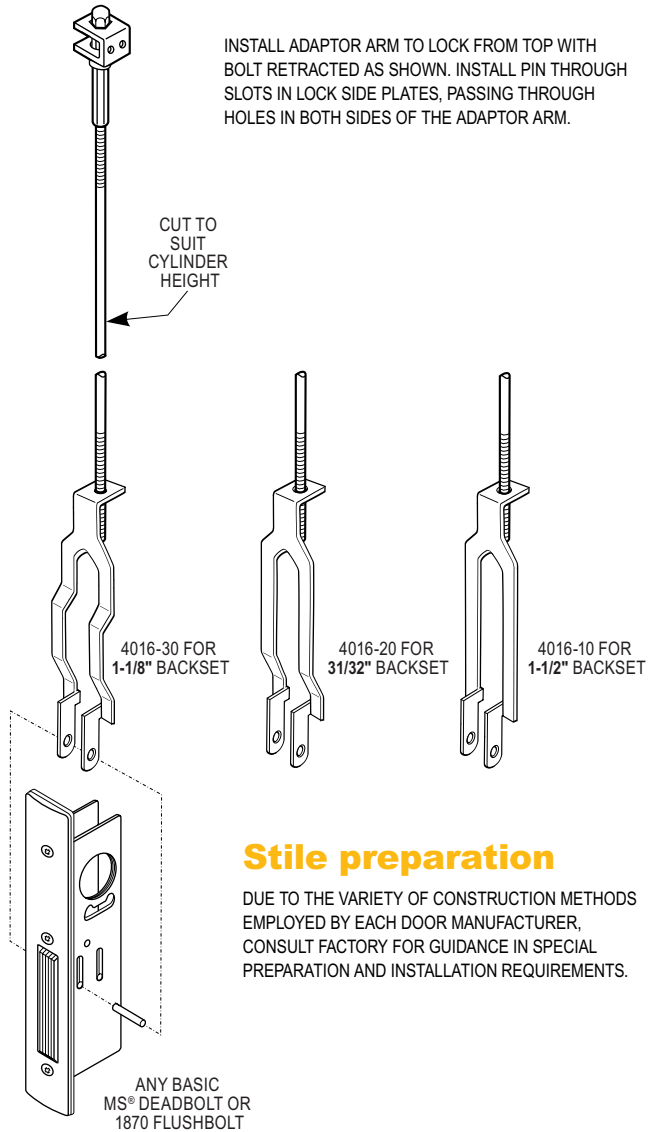
- Packed separately with bolt guide, screws, and attachment pin. Shipping weight: 1 lb.

All measurements are approximate and are provided for informational purposes only. Refer to the product Installation Instructions.

Dimensions



Installation



4016 HEADER BOLT

Specify quantity and the following information. Order related products separately.

	LOCK BACKSET	DOOR HEIGHT
4016	-30	-01
	10 1-1/2"	01 7' Door
	20 31/32"	02 10' Door
	30 1-1/8"	

RELATED PRODUCTS

When purchasing this product, please consider the following related products, available separately:

Accessories

4015 Threshold Bolt, 4085 Header Bolt.

COMPATIBLE PRODUCTS

This product is compatible with the following products:

Deadlocks

MS1850S(-050), MS1850SN(-050), MS1950(-050)
Not applicable to 7/8" backset locks.

Flushbolts

1870, 1870HM Cylinder-Operated Flushbolt.
Not applicable to 7/8" backset locks.