

4015 Threshold Bolt



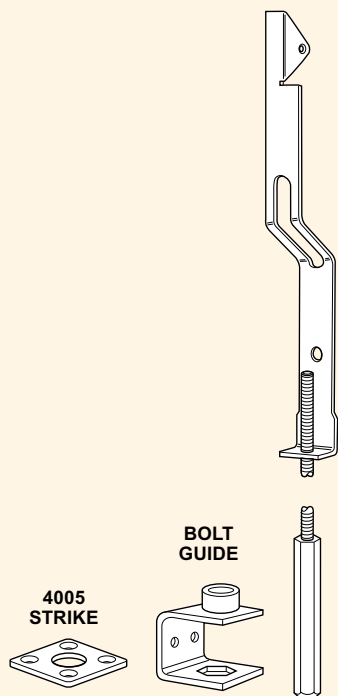
ALUMINUM

GRADE 1
E8241

4015 Threshold Bolt is a two-point lock that easily secures a double door entrance.

Function

Adding the 4015 Threshold Bolt to a pivoted bolt MS® deadlock allows Maximum Security for pairs of doors by the turn of a single key. Simultaneously dropping a stainless steel hexbolt into the threshold and pivoting the massive MS® bolt into the mating door's stile, the two-point lock secures the entire double door entrance. The 4015 threshold bolt is harnessed to the rear of the pivoted bolt. It may be added to any basic MS1850S or MS1850SN deadbolt.



Operation

360° turn of key or thumbturn in basic MS® deadlock throws counterbalanced bolt into opposite door and drop-bolt into threshold. Key can be removed only when bolts are in a positively locked or unlocked position.

Specifications

CYLINDER HEIGHT

- Standard threshold bolt rod is sufficient for cylinder height up to 53-7/16". It is fully threaded and can be cut off for low cylinder heights. Also available to volume users, cut and threaded only for specific cylinder heights.

ADJUSTMENT

- Exact adjustment of threaded rod to cylinder heights is locked in place by hexagonal threshold bolt

STRIKE

- For drop-bolt, a 1/2" diameter hold in metal threshold is suitable. For non-metal installation, 4005 strike is available.

THRESHOLD BOLT

- Hexagonal 3/8" flat to flat. Made of stainless steel.

OPTIONS

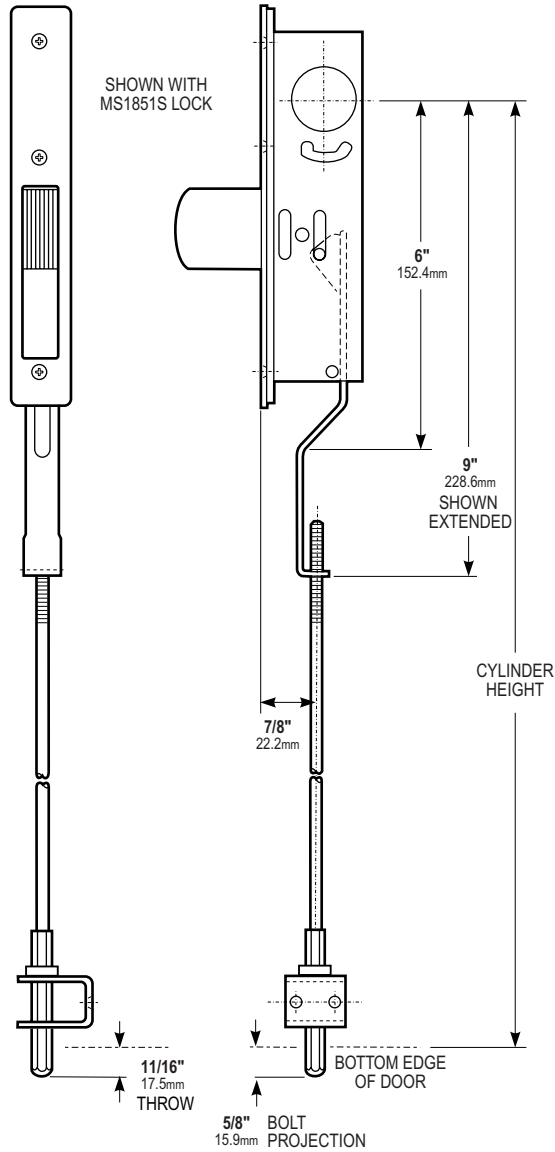
- For "universal" application, specify 4015-18 with fully threaded rod for cut off to any cylinder heights below 53". For greater height or precut rod for high volume use, specify exact cylinder height.

STANDARD PACKAGE

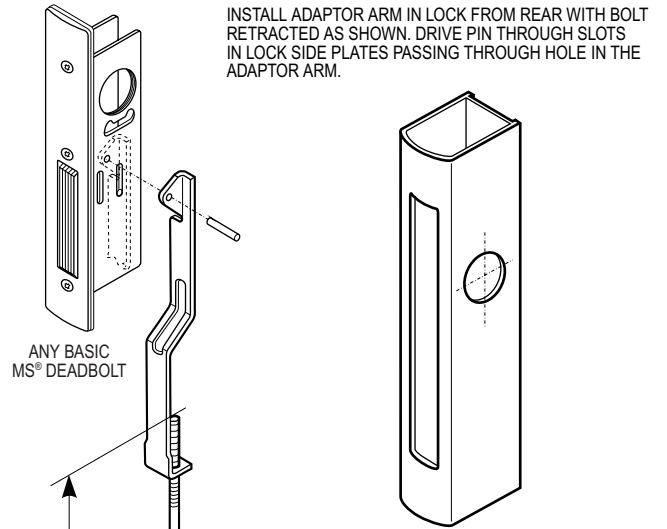
- Packed separately with bolt guide, screws, and attachment pin. Shipping weight: 1lb.

All measurements are approximate and are provided for informational purposes only. Refer to the product Installation Instructions.

Dimensions



Installation



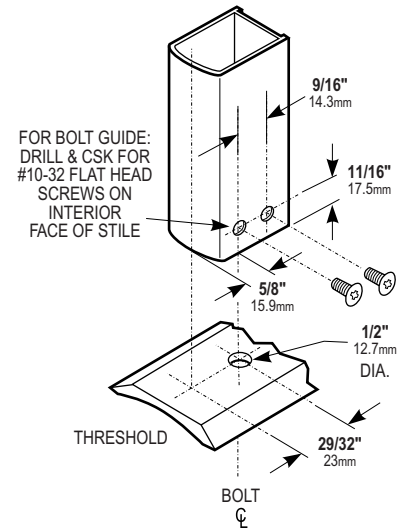
INSTALL ADAPTOR ARM IN LOCK FROM REAR WITH BOLT RETRACTED AS SHOWN, DRIVE PIN THROUGH SLOTS IN LOCK SIDE PLATES PASSING THROUGH HOLE IN THE ADAPTOR ARM.

ROD/BOLT LENGTH MUST BE APPROX. 7" 177.8mm LESS THAN CYLINDER HEIGHT

CUT OFF TO SUIT LOW CYLINDER HEIGHTS

Stile Preparation

SEE BASIC MS® DEADLOCKS MS1850S, MS1850SN, MS1950, MS1950-050



HOW TO ORDER 4015 THRESHOLD BOLT

Specify quantity and the following information. Order related products separately.

	ADD DASH NUMBER FOR "UNIVERSAL SIZE"	PACKAGING
4015	-18	-IB
		IB Individually Boxed

If ordering in volume quantity for specific cylinder height, specify CYLINDER HEIGHT.

RELATED PRODUCTS

When purchasing this product, please consider the following related products, available separately:

Accessories

4016 Header Bolt, 4085 Header Bolt.

COMPATIBLE PRODUCTS

This product is compatible with the following products:

Deadlocks

MS1850S(-050), MS1850SN(-050), MS1950(-050)