

4000 Series mounted closers

APPLICATIONS

- For aluminum, hollow metal, or wood swinging doors and frames.
- Can be used with hinge or pivot mounted door.
- Adapter plates and other installation accessories available for unusual conditions.

FEATURES COMMON TO 4000 SERIES

- Each closer (except 4050, 4050T, 4040XP, 4040XPT, 4030, 4030T) is designed for a specific mounting; hinge side, top jamb, or parallel arm. 4040XP closer with regular or hold-open arm mounts hinge side or top jamb. 4030, 4040XP and 4050 regular parallel arm closers include 62PA SHOE required to parallel arm mount either regular or hold-open arm.
- Handed for right or left swinging doors, except for 4000T, 4030, 4030T, 4040XP, 4050, 4050T and 4040XPT.
- Closers to meet ADA reduced opening force requirements except 4000T.
- Adjustable hydraulic backcheck cushions opening swing prior to 90°.
- Separate regulation of general closing speed and latching speed.
- Joints in regular arm and shoe adapt to uneven trim.
- Reversible shoe to boost latching power on double lever arms.
- Available in a wide range of standard or optional custom powder coat finishes to blend with door and frame.
- Plated finishes available to accent door and frame.
- Not designed for exterior mounting or exposed to elements.

DESIGN ASSISTANCE

LCN has been providing reliable solutions to unique door control problems since 1925. Design and specification assistance are only a phone call away.

Contact LCN for assistance or technical information at **877-671-7011** or **FAX 800-248-1460 (Order Entry)**, Fax **815-879-1495** for Product Support.

WARRANTY

30 year limited warranty; 25 year limited warranty (4050). See General Information Section for complete warranty details.

SPECIFICATIONS

Refer to "SPECIFICATIONS" section for suggested architectural specifications.

MATERIALS

- High strength **cast iron** or **cast aluminum** (4050) cylinder.
- **Forged steel** main arms.
- One piece **forged steel** piston.
- **Double heat treated** pinion.
- LCN's **all weather "Liquid X" fluid** performs to temperature ranges from 120°F (49°C) to -30°F (-35°C) without any seasonal adjustment.
- LCN's standard **all weather fluid** performs to temperature ranges from 120°F (49°C) to -30°F (-35°C).
- **High efficiency, full complement**, low friction bearings.
- Tamper resistant regulating screws.
- Full rack and pinion hydraulic action.
- Quiet, low friction track and roller combination for all single lever arm (track style) closers.

FINISHES

- Available in six standard or optional custom powder coat finishes to blend with door and frame.
- LCN's powder coat finishes surpass 100 hours of salt spray which is over four times the ANSI standard for corrosion resistance.
- For installations where a higher level of corrosive resistance is required, LCN offers an optional special rust inhibiting (SRI) pre-treatment. Closers that combine the exclusive LCN powder coat finish and the SRI pre-treatment exceed the ANSI standard for corrosion resistance even further.
- Plated finishes are available as an option to accent door and frame. (SRI not available with plated finishes).

LISTINGS & APPROVALS

UL listed for self-closing doors without hold-open under "SWINGING DOOR CLOSERS"(GVEV) file R1943.

Tested and certified under ANSI Standard A156.4 Grade One. Consult factory for details.

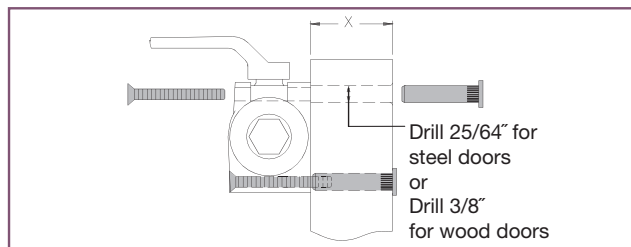
Consult factory for other listings such as; cUL, California State Fire Marshal, Bureau of Standards and Appeals.

POSITIVE PRESSURE

LCN closers have been certified for three hours by UL to be in compliance with UL 10C. Contact LCN for specific details on door closer fire ratings.

FASTENERS

4010, 4010T, 4020, 4020T, 4040XP, 4040XPT, 4050, 4050T, 4110, 4110T Series closers are shipped with: A standard SELF-REAMING and TAPPING SCREW (SRT) pack that contains Phillips head SRT screws to install the closer. 4000T series closers are shipped with: A standard WOOD and MACHINE SCREW (WMS) pack that contains Phillips head wood and machine screws to install the closer. 4030, 4030T series closers are shipped with: A standard WOOD and SELF-TAPPING MACHINE SCREW (WMS) pack that contains Phillips head wood and self-tapping machine screws to install the closer. Standard LCN thru bolts (TB) can be installed on 1-3/4" (44 mm) thick doors with 1/4"-20 machine screws. Optional thru bolt (TB) sizes are available for 1-5/8" (41 mm) or 1-3/8" (35 mm) door thickness, but this must be specified when ordering.



Notes:

1. For Thru Bolts, specify door thickness if other than 1-3/4" (44mm), represented in diagram as dimension "X".
2. Phillips head, metric machine screws are available, please specify.
3. LCN recommends the use of wood screws, available in optional WMS screw packs, for wood door applications.

MAINTENANCE

Closers mounted according to LCN installation instructions require no periodic maintenance or adjustments.



The 400T is a heavy duty closer to reliably control fire and smoke barrier doors with maximum swing of 90°. Designed for use with an SEM 7850 wall magnet.

Certifications Grade 1 - ANSI A156.4, UL 10C, ADA, 100 Hour Salt Spray, Meets BAA - Buy American Act

Body Construction

- Cast Iron Body
- Full Complement Bearing
- 1-1/2" Diameter Piston
- 3/4" Diameter Double Heat Treated Pinion Journal

Fluid All Weather Fluid

Handing Non-Handed

Size Sized 3 or 4

Warranty 30 years

Cover

- Plastic, Standard
- Metal, Optional

Fasteners Wood and machine screw pack

Mounting In a wall pocket, hinge side

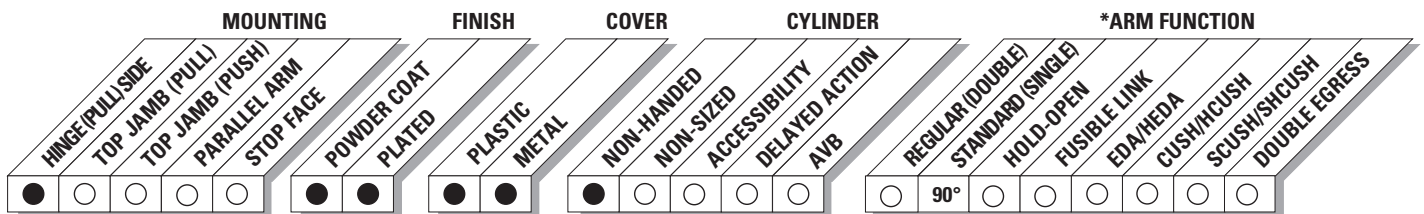
Arms Standard Arm and Track with Roller

**Finishes/Colors/
Powder Coat**

- Aluminum (689)
- Statuary Bronze (690)
- Light Bronze (691)
- Black (693)
- Dark Bronze (695)
- Brass (696)
- Custom colors optional
- Optional SRI primer - powder coat only
- Optional plated finishes

Special Templates

Customized installation templates or products may be available to solve unusual applications. Contact LCN Product Support for assistance.



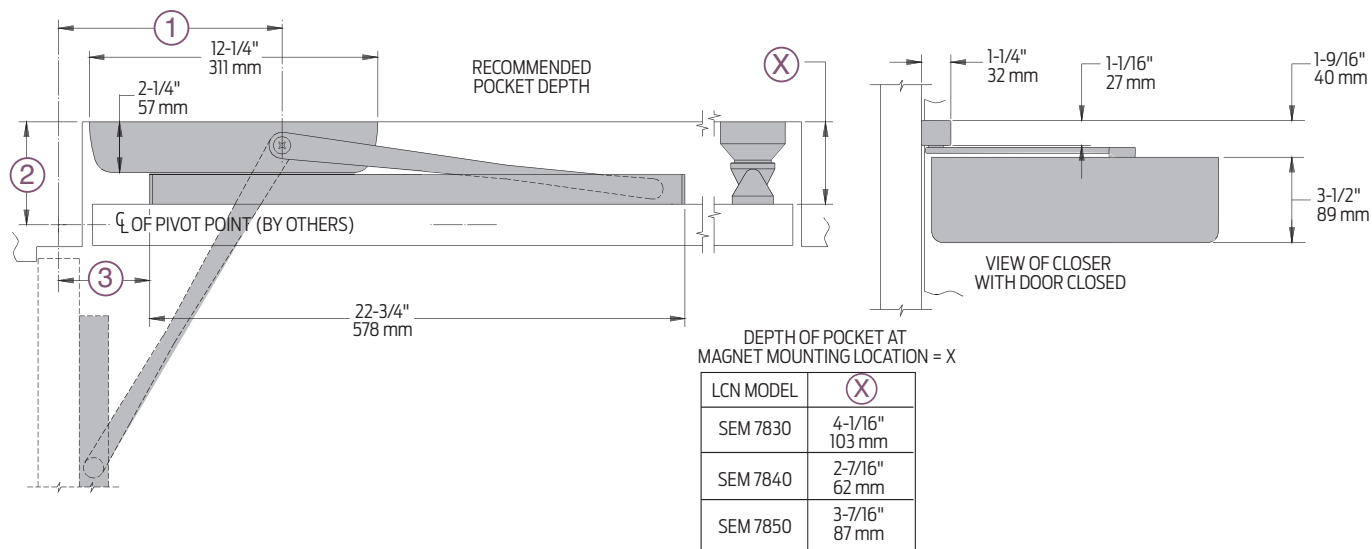
● AVAILABLE
○ NOT AVAILABLE

* Maximum opening/hold-open point with standard template.

4000T Series

Mounting details

Wall pocket mounting



Butt Hinges	<ul style="list-style-type: none"> ■ Pocket Pivot, Total Door Hinge or Center Pivot are door mounting options ■ Should not exceed 5" (127 mm)
Pocket Depth	<ul style="list-style-type: none"> ■ See above table for distance required between door and closer mounting location ■ This dimension is measured from the cylinder mounting surface to the pull side face of the door at 90°
Wall Magnet	<ul style="list-style-type: none"> ■ SEM 7850 is recommended. Use of other magnets may require special construction to alter the depth of the pocket at the magnet location ■ See Fire Life Safety Section
Dimension 1	<ul style="list-style-type: none"> ■ The distance from the centerline of the closer shaft to the centerline of the hinge or pivot ■ For pocket pivot or total door hinge, 9-1/2" (241 mm) ■ For butt hinge 8" (203 mm) ■ For center pivot 10" (254 mm)
Dimension 2	<ul style="list-style-type: none"> ■ The distance from the centerline of the pivot or hinge to the cylinder mounting surface ■ For pocket pivot 4-1/2" (114 mm) ■ For total door hinge 3-7/8" (98mm) ■ For butt hinge 2-7/8" (73 mm) ■ For center pivot 4-1/2" (114 mm)
Dimension 3	<ul style="list-style-type: none"> ■ The distance from the centerline of the pivot or hinge to end of the track ■ For pocket pivot or total door hinge, 3-7/8" (98mm) ■ For butt hinge 2-3/8" (60mm) ■ For center pivot 4-5/8" (117mm)
Maximum Opening	<ul style="list-style-type: none"> ■ Templating allows 90° only ■ Hold-open point 90° with magnet

Notes:

- Cylinder mounts on wall
- Track mounts on hinge side of door

Cylinder



4003(4)T-3071
Cast Iron Cylinder Assembly

- Non-handed
- Standard

Covers



4000T-72
Plastic Cover

- Non-handed
- Standard



4000T-72MC
Metal Cover

- Handed
- Required for plated and custom powder coat finishes
- Optional

Arm



4000T-3077T
Standard Arm

- Non-handed
- Roller not included with arm

Tracks



4000T-3038
Standard Track

- Non-handed
- Non hold-open
- Will not accept hold-open clip or bumper assembly
- Standard



4000T-3034
Track Roller

- Quiet, low friction roller assembly
- Shoulder Dimension "X" = 1/8" (3 mm)

How-to-order 4000T Series closers

1. Select cylinder size

- 4003T
- 4004T

2. Select finish

- Standard Powder Coat _____
Aluminum, Dark Bronze, Statuary, Light Bronze, Black, Brass

Closer will be shipped with:

- Standard cylinder
- Standard cover
- Standard arm
- Track roller
- Standard track
- Self-reaming and tapping screws unless options listed below are selected.

Closer options

Cover

- Metal (MC)

Finish

- Custom Powder Coat (RAL) _____
(handed metal cover required)
- Plated Finish, US _____
(handed metal cover required)
- SRI primer (use with powder coat finishes only)

Specify Screw Packs

- TB*, Wood & Machine Screw (TBWMS)
- TORX Machine Screw (TORX)
- TB* & TORX Machine Screw (TBTRX)
* Specify door thickness if other than 1-3/4".

Special Template

- ST- _____

Table of sizes

- Select closer based on width of door
- 4000T Series cylinders available in size 3 or 4
- Closing power of 4000T Series closers is not adjustable

