

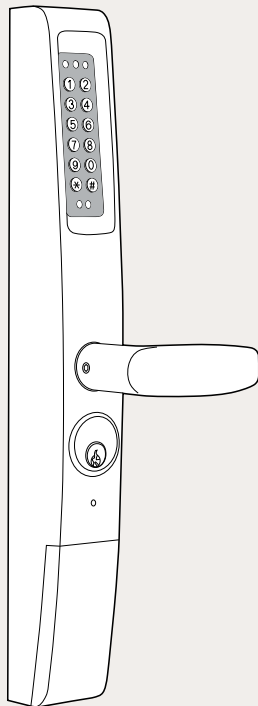
# eForce®-150 3090 Keyless Entry



A battery-operated keyless entry control device, the eForce-150 3090 Keyless Entry provides access control for Adams Rite deadlocks, deadlatches, and exit devices.

## Function

The eForce 3090 Keyless Entry is a battery-operated keyless entry control for Adams Rite deadlocks, deadlatches and exit devices, that is compatible with aluminum stile, steel, and wood door applications. The device can accommodate up to 150 users, including master, supervisor, and emergency users plus two one-time codes. The eForce 3090 can operate in three modes: Standard, Passage, and Lockout. All programming is accomplished via the keypad. Device operation is confirmed by both a visual LED light indicator and an audible sound generated by a piezo horn.



## Operation

In the standard mode of operation, a programmed 2 to 7-digit character followed by a star (\*) key allows for one entry when used with Adams Rite deadlatches or exit devices. The MS Deadlocks must always be relocked manually when used with the eForce 3090. Hold open time is adjustable from 1 to 9 seconds.

## Features

- Surface mounted with concealed fasteners (1-3/4" to 2-1/4" door thickness)
- Non-handed with clutched lever protection
- Key override via mortise cylinder (1" to 1-1/2" length with MS® cam)
- UV stable keypad material
- Full outdoor rating: temperature range from -31°F to 151°F (-35°C to 65°C) and 5-95% humidity (non-condensing)
- Powered by 4 AA alkaline batteries; supports 60,000 activations

## Specifications

### HOUSING

- The sleek-looking 3090 eForce measures 1-3/4" wide x 15-3/8" high, with Satin Chrome (626) and Powdercoat Dark Bronze (121) finishes.

### HANDLE

- Clutch-protected cast zinc alloy, finished to match housing, field selectable handing.

### COMPATIBLE LOCKING DEVICES

- The 3090 eForce retrofits to Adams Rite MS® Deadlocks, 4500 and 4900 Deadlatches and 8000 Series Exit Devices in 31/32" backsets and greater. Additionally, the 3090 eForce-150 is compatible with Yale 7200 Series and Corbin Russwin ED4000 Series exit devices (check model number for availability).

### OPTIONS

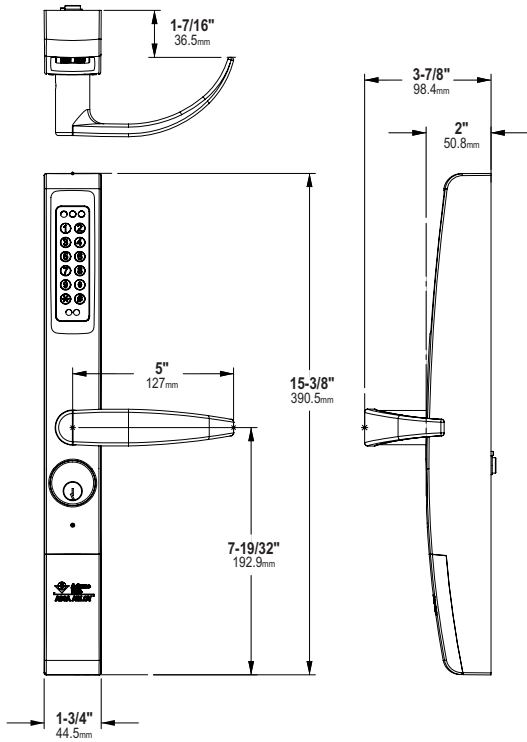
- RSK-3090, Remote activation input cable

### STANDARD PACKAGE

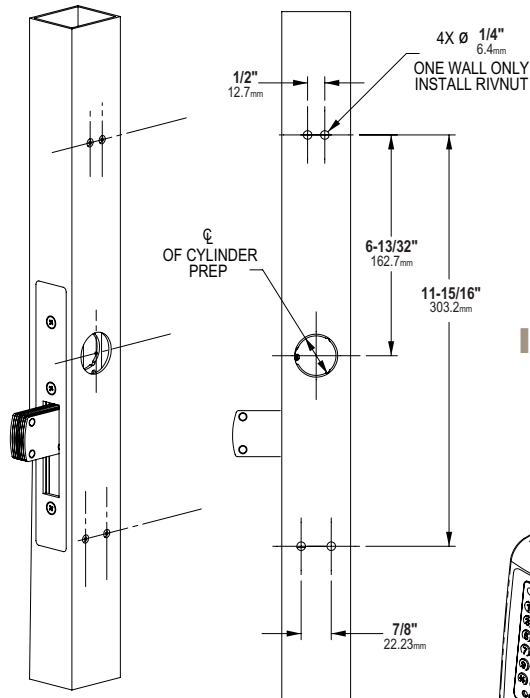
- Individually boxed with installation instructions, manual, and mounting hardware for metal door applications from 1-3/4" to 2-1/4" thick. Shipping weight approximately 5.5 lbs.

All measurements are approximate and are provided for informational purposes only. Refer to the product Installation Instructions.

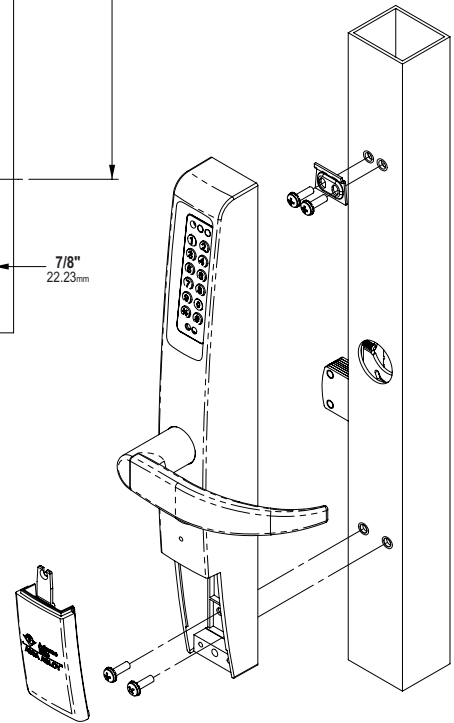
### Dimensions

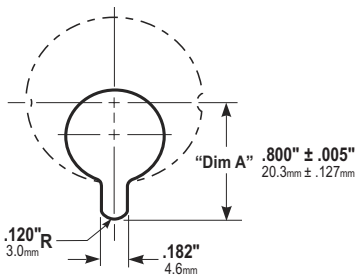


### Stile Preparation



### Installation





**CYLINDER CAM**

- Operable by any standard 1-5/32" diameter mortise cylinder with MS® cam dimensioned as shown. Cylinders with MS® cams can be readily obtained from most cylinder manufacturers. See CYLINDERS section for cylinder make, thumbturn and trim ring information.

### HOW TO ORDER EFORCE®-150 3090 KEYLESS ENTRY

Specify quantity and the following information. Order related products separately.

PRODUCT NO.	COMPATIBLE PRODUCTS	FINISH
<b>3090</b>	<b>-01</b>	<b>-626</b>
<b>01</b>	Adams Rite latches or 8000 Series Exit Devices, Yale 7200 series, Corbin Russwin ED4000 series exit devices only	<b>121</b> To match 313 Dark Bronze Anodized
<b>02</b>	Adams Rite MS® deadlocks	<b>626</b> Satin Chrome

#### RELATED PRODUCTS

When purchasing this product, please consider the following related products, available separately:

##### Accessories

RSK-3090 Remote Activation Kit.

##### Cylinder

Key override for the eForce 3090 by any standard 1-5/32" diameter mortise cylinder with MS® cam.

#### COMPATIBLE PRODUCTS

This product is compatible with the following products:

##### Deadlocks

MS1850S(-050), MS1850SN(-050), MS1950(-050).

##### Deadlatches

4500 Series Standard Duty Deadlatch.  
4900 Series Heavy Duty Deadlatch.

##### Exit Devices

Adams Rite 8000 Series Exit Devices in 31/32" backset or greater.