

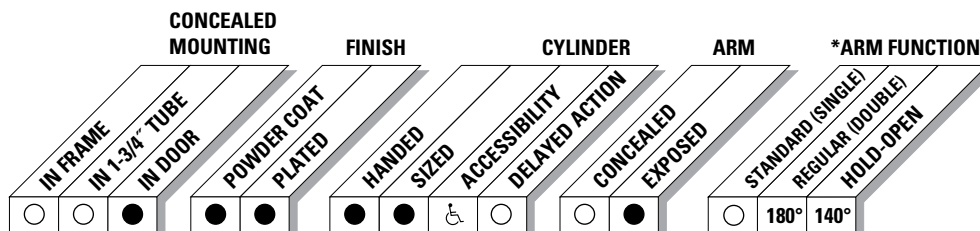


The concealed 3030 Series is designed to mount in a 1-3/4" interior door. The double lever arm provides superior door control and the choice of finishes and arm functions meet virtually all architectural requirements.

<b>Certifications</b>	Grade 1 - ANSI A156.4, UL 10 C, ADA, 100 Hour Salt Spray, Meets BAA - Buy American Act	<b>Fasteners</b>	Wood Screws and Torx Security Screws (optional)
<b>Body Construction</b>	<ul style="list-style-type: none"> <li>■ Cast Iron Body</li> <li>■ Full Complement Bearing</li> <li>■ 1-1/8" Diameter Piston</li> <li>■ 1/2" Diameter Double Heat Treated Pinion Journal</li> </ul>	<b>Mounting</b>	Concealed (in door); consult factory for installations with pivots
<b>Fluid</b>	All Weather Fluid	<b>Arms</b>	Regular arm
<b>Handing</b>	Handed	<b>Finishes/Colors/Powder Coat</b>	<ul style="list-style-type: none"> <li>■ Aluminum (689)</li> <li>■ Statuary Bronze (690)</li> <li>■ Light Bronze (691)</li> <li>■ Black (693)</li> <li>■ Dark Bronze (695)</li> <li>■ Brass (696)</li> <li>■ Custom colors optional</li> </ul>
<b>Size</b>	Sized 1-4		<ul style="list-style-type: none"> <li>■ Optional SRI primer - powder coat only</li> <li>■ Optional plated finishes</li> </ul>
<b>Warranty</b>	15 years		

**Special Templates**

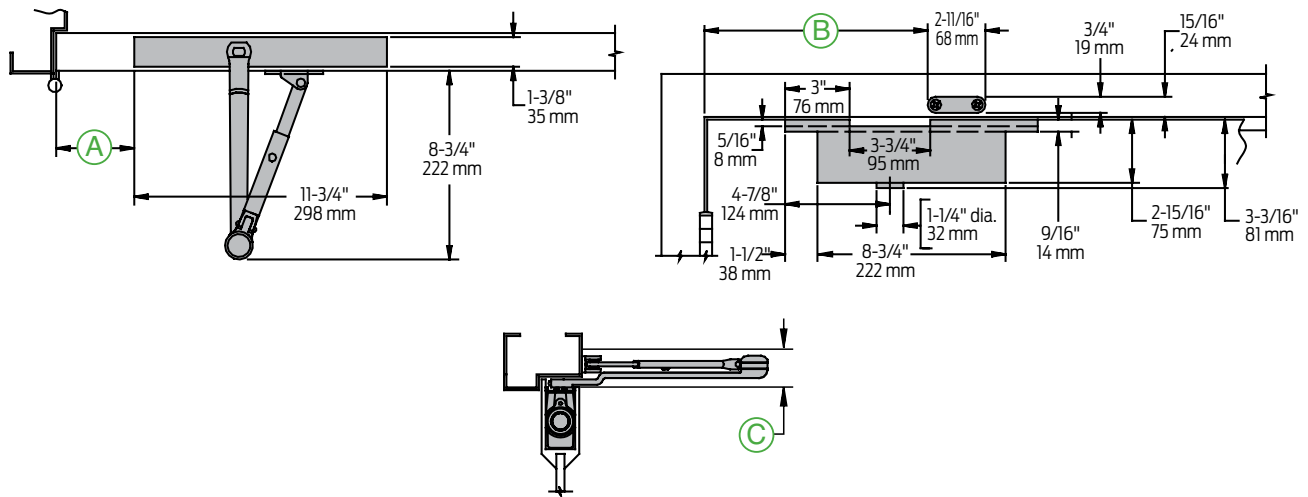
Customized installation templates or products may be available to solve unusual applications. Contact LCN Product Support for assistance.



● AVAILABLE  
○ NOT AVAILABLE

♿ Closer available with less than 5.0 lbs. opening force on 36" door.

\* Maximum opening/hold-open point with standard template. See individual closer series for degrees of opening per installation.



<b>Butt Hinges</b>	Should not exceed 5" (127 mm) in width
<b>Auxiliary Stop</b>	Recommended at hold-open point or where a door cannot swing 180°
<b>Top Rail</b>	Minimum 4" (102 mm) required
<b>Door Thickness</b>	<ul style="list-style-type: none"> <li>■ 1-3/4" (44 mm) minimum</li> <li>■ Please consult the door manufacturer to assure that the door integrity and warranty is maintained after installing the 3030 Series door closer in a 1-3/4" thick wood door</li> </ul>
<b>Maximum opening</b>	<p>Can be templated for</p> <p>100°:     A = 3-5/8" (92 mm)               B = 10-1/4" (260 mm)</p> <p>130°:     A = 2-5/8" (67 mm)               B = 9-1/4" (235 mm)</p> <p>180°:     A = 1-5/8" (41 mm)               B = 8-1/4" (210 mm)</p> <ul style="list-style-type: none"> <li>■ Hold-open points up to maximum opening or 140°, whichever is less, with hold-open arm.</li> </ul> <p>Arm clearance above door C = 1-1/4" (32 mm) minimum</p>

**Notes:**

- For interior or exterior doors
- Single acting cylinder in top rail of door
- Exposed arm on hinge side of door

**Cylinder**



**3031(2)(3)(4)-3071**  
Cast Iron Cylinder Assembly

- Handed
- With mounting plate
- Standard

**Arms**



**3030-3077**  
Regular arm

- Non-handed



**3030-3049**  
Hold-open arm

- Handed
- Provides hold-open function, adjustable at elbow
- Optional

### How-to-order 3030 Series closers

#### Select cylinder size

- 3031
- 3032
- 3033
- 3034

#### Select hand

- RH
- LH

#### Specify finish

- Standard Powder Coat \_\_\_\_\_  
Aluminum, Dark Bronze, Statuary, Light Bronze, Black, Brass.

#### Closer will be shipped with:

- Standard cylinder with mounting bracket
- Regular arm
- Wood and machine screw pack unless options listed below are selected.

### Closer options

#### Arm

- Hold-open (H)

#### Finishes

- Custom Powder Coat (RAL) \_\_\_\_\_
- Plated Finish, US \_\_\_\_\_
- SRI primer (use with powder coat finishes only)

#### Screw pack

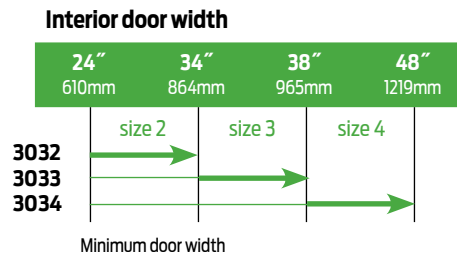
- TORX Machine Screw (TORX)

#### Special template

- ST- \_\_\_\_\_

### Table of sizes

- Select closer based on width of door
- 3030 Series cylinders available in size 1, 2, 3, or 4
- Closing power of all 3030 Series closers may be increased 15%



Indicates recommended range of door width for closer size.

### Reduced opening force 3030 Series closers

**CAUTION!** Any manual door closer, including those certified by BHMA to conform to ANSI Standard A156.4, that is selected, installed and adjusted based on ADA or other reduced opening force requirements may not provide sufficient power to reliably close and latch a door.

Refer to POWER OPERATORS section for information on systems that meet reduced opening force requirements without affecting closing power.

\* Maximum opening force.

	DOOR WIDTH	36"	42"	48"
	8.5* lbs.	N/A	N/A	N/A
	5.0* lbs.	3031	3031	3032