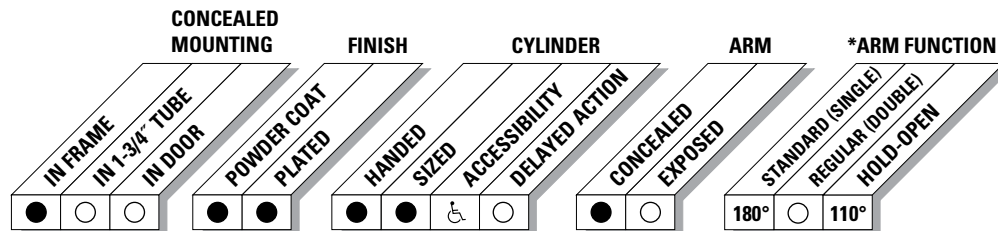


The concealed 2010 Series is a heavy duty closer designed to provide complete concealment. The single lever arm and roller assembly provide smooth, quiet door control and the choice of finishes and track functions meet virtually all architectural requirements.

Certifications	Grade 1 - ANSI A156.4, UL 10 C, ADA, 100 Hour Salt Spray, Meets BAA - Buy American Act	Fasteners	Wood and Machine Screw Pack
Body Construction	<ul style="list-style-type: none"> ■ Cast Iron Body ■ Full Complement Bearing ■ 1-1/2" Diameter Piston ■ 11/16" Diameter Double Heat Treated Pinion Journal 	Mounting	Concealed (in frame); aluminum frame requires minimum 4" x 4" (102 mm) tube
Fluid	All Weather Fluid	Arms	Standard arm and track
Handing	Handed	Finishes/Colors/ Powder Coat	<ul style="list-style-type: none"> ■ Aluminum (689) ■ Statuary Bronze (690) ■ Light Bronze (691) ■ Black (693) ■ Dark Bronze (695) ■ Brass (696) ■ Custom colors optional
Size	Sized 1-6		<ul style="list-style-type: none"> ■ Optional SRI primer - powder coat only ■ Optional plated finishes
Warranty	15 years		

Special Templates

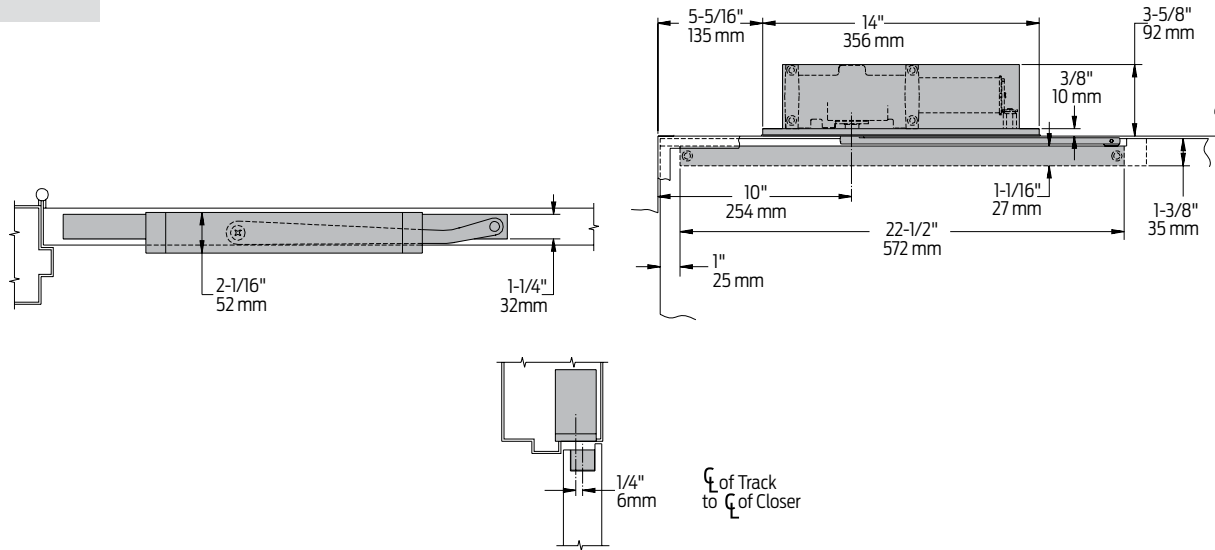
Customized installation templates or products may be available to solve unusual applications. Contact LCN Product Support for assistance.



● AVAILABLE
○ NOT AVAILABLE

♿ Closer available with less than 5.0 lbs. opening force on 36" door.

* Maximum opening/hold-open point with standard template. See individual closer series for degrees of opening per installation.



Butt Hinges	Should not exceed 5" (127 mm) in width
Auxiliary Stop	<ul style="list-style-type: none"> Recommended where a door cannot swing 180° Optional track bumper assembly assists backcheck in cushioning the opening swing of the door (not intended to replace an auxiliary stop).
Top Rail	<ul style="list-style-type: none"> 1-3/8" (35 mm) mortise required With Fire Shield, 1-13/32" (36 mm) mortise required 5/16" (8 mm) cutout required at top of the door, stop face only
Door Thickness	1-3/4" (44 mm) minimum
Hollow Metal Frame	Consult factory for installation instructions
Maximum opening	<ul style="list-style-type: none"> Butt hinge template allows 180°, trim permitting Limited to 110° when optional bumper is installed Adjustable hold-open points from 85° to 110°, with hold-open track Offset pivot template allows 110°, trim permitting Limited to 95° when optional bumper is installed Adjustable hold-open points from 75° to 95°, with hold-open track Center pivot template allows 120°, trim permitting Limited to 95° when optional bumper is installed Adjustable hold-open points from 75° to 95°, with hold-open track

Notes:

- For interior or exterior doors
- Single acting cylinder in head frame
- Concealed arm and track in door top rail

Cylinder



2011(3)(4)(5)(6)-3071
Cast Iron Cylinder Assembly

- Handed
- With mounting plate
- Standard

Arm



2010-3077T
Standard Arm

- Handed
- Track roller not included with arm

Installation Accessories



2010-420
Fire Shield

- 22 gauge steel liner mounts in the track mortise of the door's top rail for 20 minute labeled wood doors



2010-169
Track Bumper

- Mounts in track to assist backcheck
- Limits maximum opening
- Consists of bumper, bumper post, and mounting screw

NOTE: Track bumper does not replace auxiliary stop.

Tracks



2010-3038
Standard Track

- Non-handed
- Non hold-open
- Will accept hold-open clip and/or bumper assembly.
- Standard



2010-3038B
Standard Track with Bumper

- Non-handed
- Non hold-open
- Will accept hold-open clip
- Optional



2010-3038H
Hold-Open Track

- Non-handed
- Will accept bumper assembly
- Optional



2010-3038HB
Hold-Open Track with Bumper

- Non-handed
- Optional



2010-3054
Hold-Open Clip

- Mounts in track to provide hold-open function
- Hold-open point controlled by clip location
- Requires 2010-3034H



2010-3034
Track Roller

- Quiet, low friction roller assembly
- Shoulder dimension "X" = 1/16" (2mm)



2010-3034H
Hold-Open Track Roller

- Quiet, low friction roller assembly
- Shoulder dimension "X" = 1/16" (2mm)

How-to-order 2010 Series closers

Table of sizes

- Select closer based on width of door.
- 2010 Series cylinders available in size 1, 3, 4, 5, or 6.
- Closing power of all 2010 Series closers may be increased 15%.
- Specify next higher size closer where strong drafts exist.

Select cylinder size

- 2011
- 2013
- 2014
- 2015
- 2016

Select hand

- RH
- LH

Specify finish

- Standard Powder Coat _____
Aluminum, Dark Bronze, Statuary, Light Bronze, Black, Brass.

Closer will be shipped with:

- Standard cylinder with finish plate
- Standard arm
- Standard track
- Wood and machine screw pack
unless options listed below are selected.

Closer options

Tracks

- Standard with Bumper (BUMPER)
- Hold-open (H)
- Hold-open with Bumper (HBUMPER)

Finishes

- Custom Powder Coat (RAL) _____
- Plated Finish, US _____
- SRI primer (use with powder coat finishes only)

Installation accessories

- Fire Shield, 2010-420

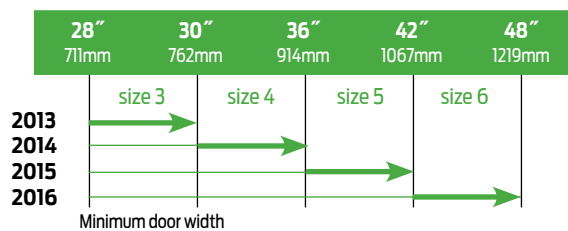
Screw pack

- TORX Machine Screw (TORX)

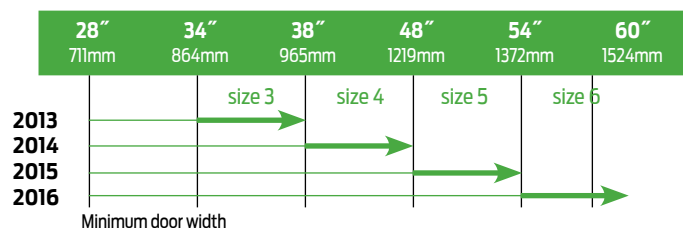
Special template

- ST- _____

Exterior (and Vestibule) door width



Interior door width




→ Indicates recommended range of door width for closer size.

Reduced opening force 2010 Series closers

CAUTION! Any manual door closer, including those certified by BHMA to conform to ANSI Standard A156.4, that is selected, installed and adjusted based on ADA or other reduced opening force requirements may not provide sufficient power to reliably close and latch a door.

Refer to POWER OPERATORS section for information on systems that meet reduced opening force requirements without affecting closing power.

* Maximum opening force.

	DOOR WIDTH	36"	42"	48"
	8.5* lbs.	2014	2014	2015
	5.0* lbs.	2011	2011	2013