

1875 Two-Point Deadlock



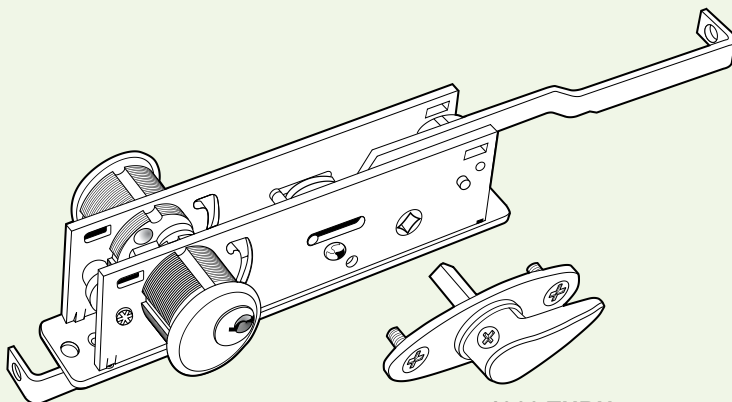
ROLL-UP DOOR

GRADE 2
E86182

The 1875 Two-Point Deadlock provides security for roll-up doors, security screens, or similar doors. Two bolts are operational from either or both sides of the deadlock.

Function

For overhead "garage" doors, roll-up security screens, or similar doors. Provides turn operation of two bolts from either or both sides. Accepts standard mortise cylinders for key control of bolts to secure them in either projected or retracted position.



4060 TURN

Operation

90° rotation of turn throws or retracts bolts. 360° turn of key deadlocks mechanism, preventing operation of the turn in either locked or unlocked position.

Specifications

CYLINDER BACKSET

- Bolt arms require inside stile clearance of 1-11/16" on one side of cylinder center, 1" on the other.

CASE

- Steel with corrosion-resistant plate, measures 1" x 6" x 2-5/8".

BOLT ARMS

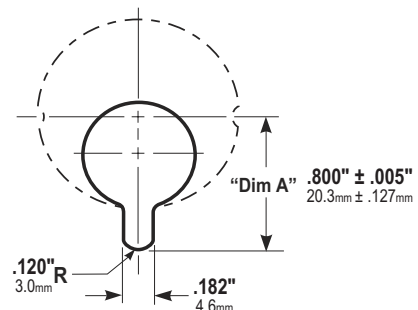
- 1-1/32" throw. Threaded for 1/4" – 20 rods. Because of design variations in this type of door, no standard bolt can be offered to fit all makes of doors. Contact the Adams Rite factory concerning bolts, rods, bolt guides, and strikes to fit individual door designs.

4060 TURN

- Zinc alloy escutcheon and handle. Finish is US26D. Steel spindle is also available to accommodate various door thicknesses.

CYLINDER CAM

- 1875 Two-Point Deadlocks are operable by any standard 1-5/32" diameter mortise cylinder with MS® cam dimensioned as shown. Cylinders with MS® cams can be readily obtained from most cylinder manufacturers. See CYLINDERS section for cylinder make, thumbturn and trim ring information.



OPTIONS

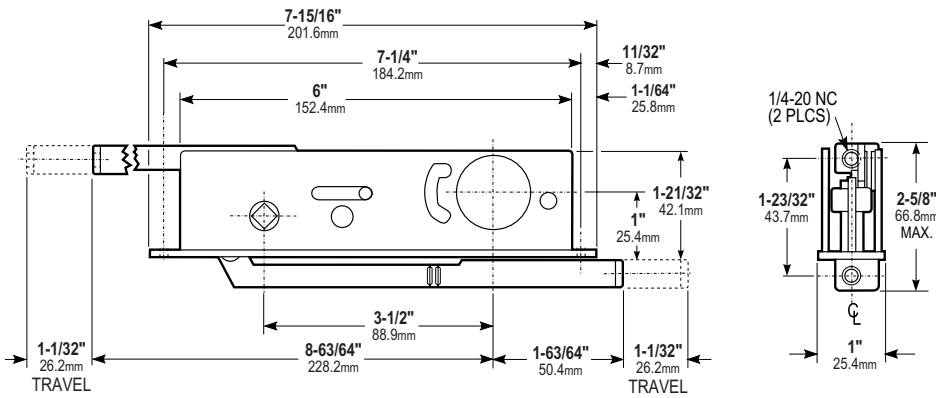
- 4060 Turn shown is available with choice of spindle lengths. Bolts, connecting rods, bolt guides, and strikes are available by special order. Cylinders also available separately.

STANDARD PACKAGE

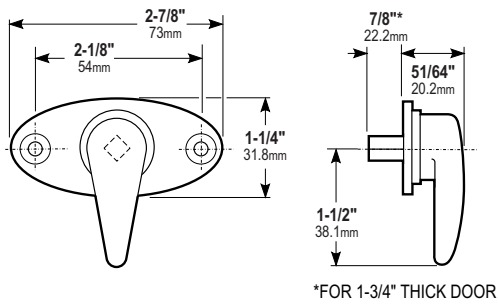
- Shipping weight: 1-1/2 lbs.

All measurements are approximate and are provided for informational purposes only. Refer to the product Installation Instructions.

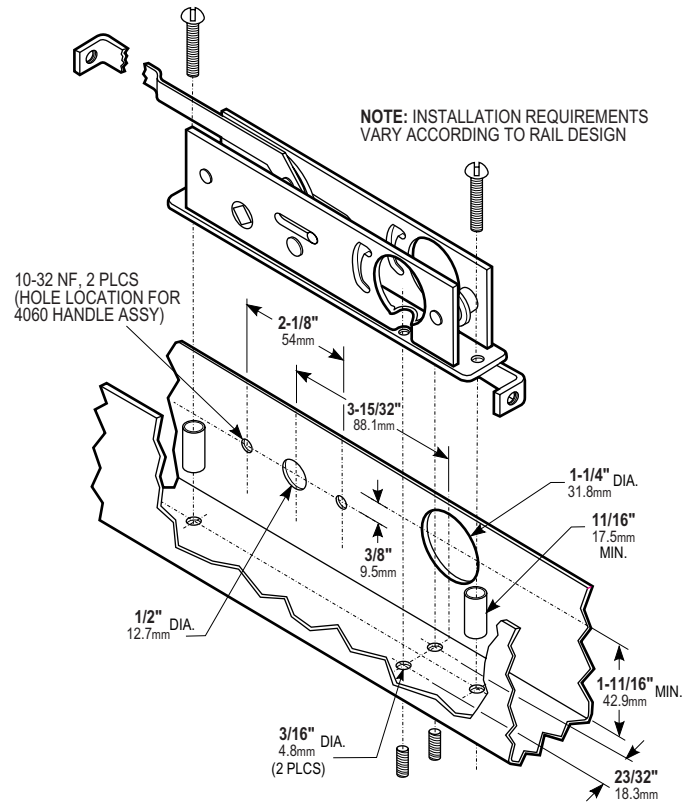
Dimensions



4060 Turn



Installation



HOW TO ORDER 1875 TWO-POINT DEADLOCK

Specify quantity and the following information. Order related products separately.

PRODUCT NO.	PACKAGING
1875	-IB
	IB Individually Boxed

RELATED PRODUCTS When purchasing this product, please consider the following related products, available separately:

Accessories

- 4060 turn.
- Cylinder guards.

Cylinders

1875 Two-Point Deadlocks are operable by any standard 1-5/32" diameter mortise cylinder with MS® cam.

Special Order Options

Bolts, connecting rods, bolt guides and strikes are by special order only.