

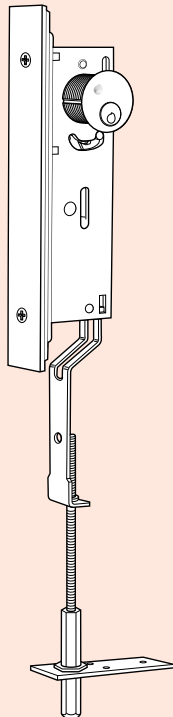
# 1870HM Cylinder-Operated Flushbolt



Designed for greater key control, the 1870HM Cylinder-Operated Flushbolt prevents accidental locking of the inactive leaf of paired hollow metal doors. May be installed to lock at threshold or at header.

## Function

Designed for use instead of conventional flip-lever operated flushbolts, the 1870HM Cylinder-Operated Flushbolt gives building management key control of the inactive leaf of paired doors. Prevents casual locking of the inactive leaf by children or other unauthorized persons. Uses same basic over-center action mechanism as MS® pivoted bolt locks. Recommended for installation at both top and bottom of inactive door with MS1850SN Deadlock in active door for greatest security. May be installed to lock at threshold or at header.



## Operation

360° turn of key throws or retracts the hex-section bolt. Key can be removed only when bolt is in a positively locked or unlocked position. Accepts any standard 1-5/32" mortise cylinder from either or both sides. Cylinder must have MS® dimensioned cam (see CYLINDERS).

## Specifications

### CYLINDER BACKSET

- 1-1/4" only.

### CYLINDER HEIGHT

- Standard length (cylinder center to door end) is 13-1/2". Other lengths available by special order.

### CASE

- Measures 7/8" x 6" x 1-21/32". Steel with corrosion-resistant plating.

### BOLT

- Hexagonal 3/8" flat to flat, with 11/16" throw. Made of stainless steel.

### STRIKE

- 2-1/4" x 15/16" strike is supplied.

### FACEPLATE.

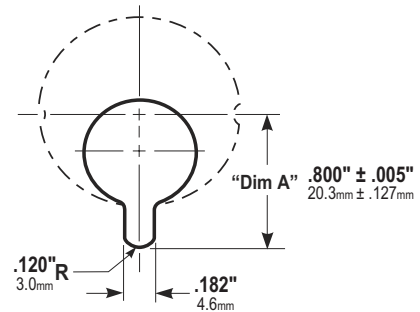
- Faceplate measures 1" x 8".

### STANDARD PACKAGE

- Basic lock mechanism boxed with actuator arm attached, rod/bolt assembly unattached. Stainless steel bolt guide, mounting screws, and installation instructions included. Cylinders available separately. Shipping weight: 1-1/4 lbs.

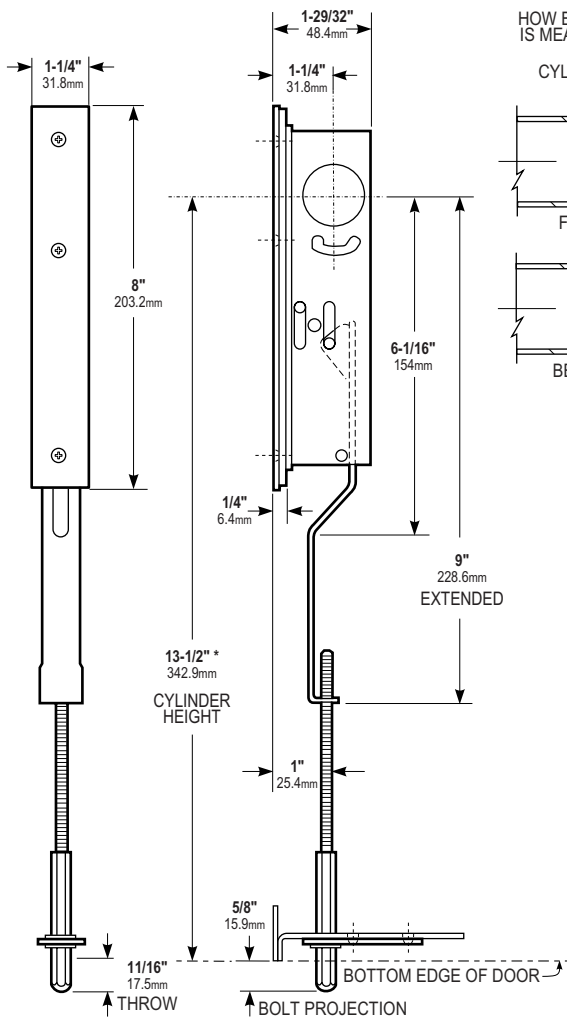
### CYLINDER CAM

- 1870HM Cylinder-Operated Flushbolts are operable by any standard 1-5/32" diameter mortise cylinder with MS® cam dimensioned as shown. Cylinders with MS® cams can be readily obtained from most cylinder manufacturers. See CYLINDERS section for cylinder make, thumbturn and trim ring information.



All measurements are approximate and are provided for informational purposes only. Refer to the product Installation Instructions.

### Dimensions

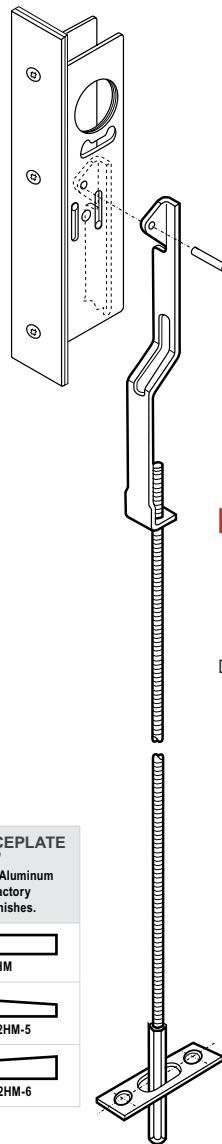


\*OTHER LENGTHS AVAILABLE ON SPECIAL ORDER

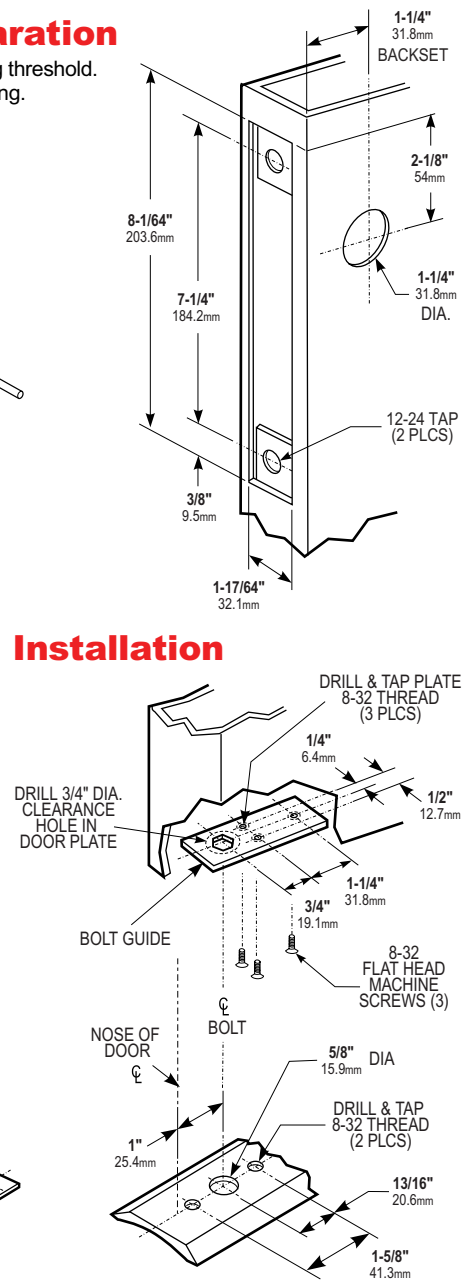
ARMORED FACEPLATE 1" X 8"	
Finish: US28 Satin Aluminum (628) consult factory about special finishes.	
FLAT 1870HM	
LH BEVEL 1872HM-5	
RH BEVEL 1872HM-6	

### Door Preparation

For installation locking threshold. Invert for header locking.



### Installation



### HOW TO ORDER 1870HM CYLINDER-OPERATED FLUSHBOLT

Specify quantity and the following information. Order related products separately.

Product No.	FACEPLATE SHAPE	HANDING	FINISH
<b>187</b>	<b>OHM</b>	<b>5</b>	<b>-628</b>
	0HM Flat	0 Non-Handed*	313 Dark Bronze Anodized
	2HM Bevel	5 LH or RHR	335 Black Anodized
		6 RH or LHR	628 Clear Anodized

\*Any flat or radius faceplate.

**RELATED PRODUCTS** When purchasing this product, please consider the following related products, available separately:

#### Accessories

Lock mounting accessories and options.

#### Cylinders

1870HM Cylinder-Operated Flushbolts are operable by any standard 1-5/32" diameter mortise cylinder with MS® cam.

#### Special Order Options

Other cylinder lengths available as special order.