

1870 Cylinder-Operated Flushbolt

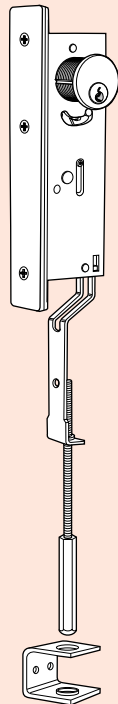


ALUMINUM

Designed for greater key control, the 1870 Cylinder-Operated Flushbolt for aluminum stile doors prevents accidental locking of the inactive leaf of paired doors.

Function

Designed for use instead of conventional flip-lever operated flushbolts, the 1870 Cylinder-Operated Flushbolt gives building management key control of the inactive leaf of paired doors. Prevents casual locking of the inactive leaf by children or other unauthorized persons. Uses same basic over-center action mechanism as MS® pivoted bolt deadlocks. Recommended for installation at both top and bottom of inactive door with MS1850S Deadlock in active door for greatest security. May be installed to lock at threshold or at header.



Operation

360° turn of key throws or retracts the hex-section bolt. Key can be removed only when bolt is in a positively locked or unlocked position. Accepts any standard 1-5/32" mortise cylinder from either or both sides. Cylinder must have MS® dimensioned cam (see CYLINDERS).

Specifications

CYLINDER BACKSET

- 31/32" or 1-1/8" only.

CYLINDER HEIGHT

- Standard length (cylinder center to retracted bolt tip) is 12" with ± 1-1/4" adjustment. Other lengths available by special order.

CASE

- Measures 1" x 6" x depth. Depth varies by backset (see table on back of page). Steel with corrosion-resistant plating.

BOLT

- Hexagonal 3/8" flat to flat, with 11/16" throw. Made of stainless steel.

STRIKE

- 1/2" diameter hole in metal threshold or header is suitable. For wood thresholds, 4005 strike is available separately.

FACEPLATE

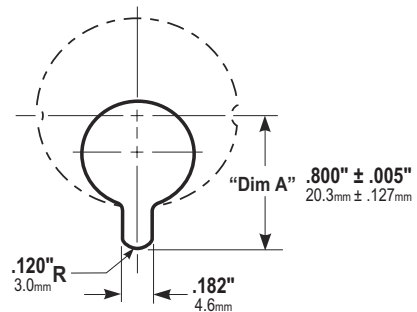
- Measures 1" x 6-7/8".

STANDARD PACKAGE

- Basic lock mechanism boxed with actuator arm attached, rod/bolt assembly unattached. Stainless steel bolt guide, mounting screws, and installation instructions included. Cylinders available separately. Shipping weight: 1-1/4 lbs.

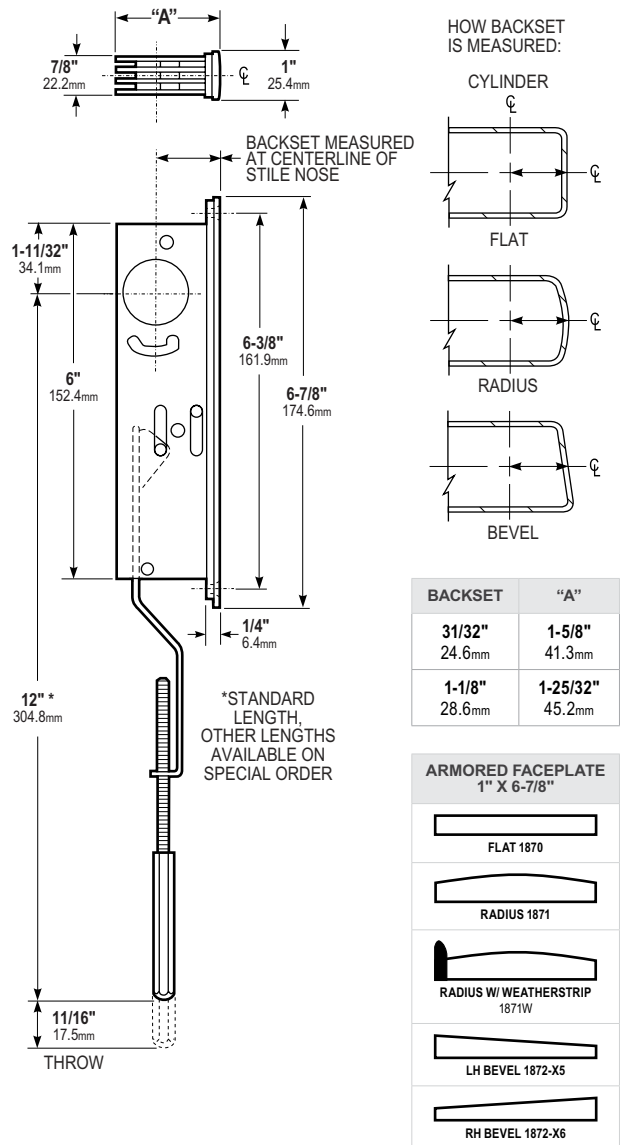
CYLINDER CAM

- 1870 Cylinder-Operated Flushbolts are operable by any standard 1-5/32" diameter mortise cylinder with MS® cam dimensioned as shown. Cylinders with MS® cams can be readily obtained from most cylinder manufacturers. See CYLINDERS section for cylinder make, thumbturn and trim ring information.



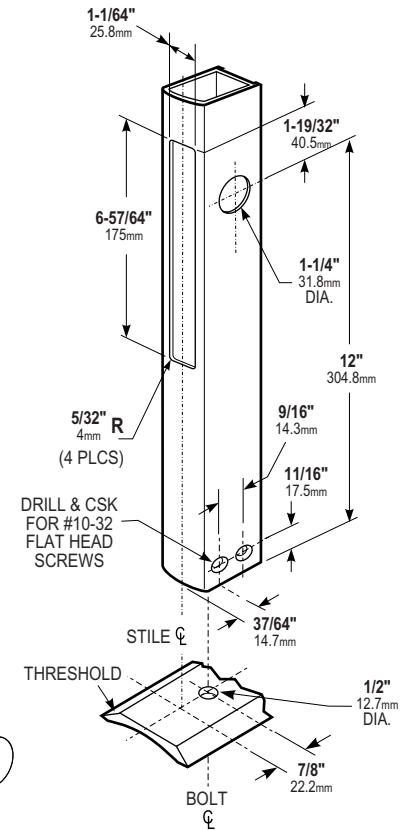
All measurements are approximate and are provided for informational purposes only. Refer to the product Installation Instructions.

Dimensions

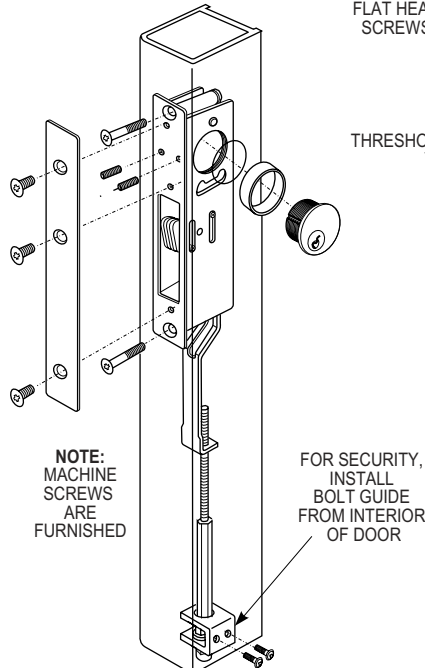


Stile Preparation

For installation locking threshold. Invert for header locking.



Lock & Cylinder Installation



HOW TO ORDER 1870 CYLINDER-OPERATED FLUSHBOLT

Specify quantity and the following information. Order related products separately.

Product No.	FACEPLATE shape	BACKSET	HANDING	FINISH
187	0	-2	0	-628
	0 Flat	2 31/32"	0 Non-Handed*	313 Dark Bronze Anodized
	1 Radius	3 1-1/8"	5 LH or RHR	335 Black Anodized
	1W Radius with weatherstrip		6 RH or LHR	628 Clear Anodized
	2 Bevel			

*Any flat or radius faceplate.

RELATED PRODUCTS When purchasing this product, please consider the following related products, available separately:

Accessories

Lock mounting accessories and options.

Cylinders

1870 Cylinder-Operated Flushbolts are operable by any standard 1-5/32" diameter mortise cylinder with MS® cam.

Special Order Options

Other cylinder lengths available as special order.