

1830 Bottom Rail Deadlock (Swing Bolt)



FULL GLASS



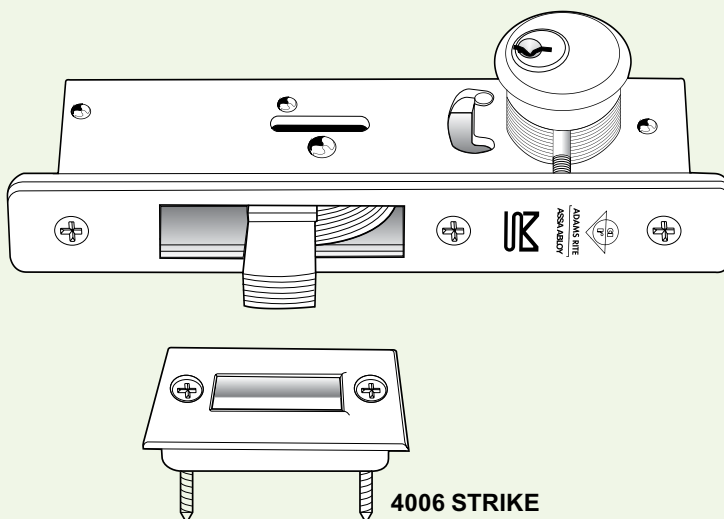
ALUMINUM

GRADE 1
E8211

The 1830 Bottom Rail Deadlock provides bottom rail locking in ultra-narrow stile or tempered glass doors. Tamper-proof with an armored faceplate, it protects with a minimum threshold strike opening.

Function

For bottom rail locking of ultra-narrow stile or tempered glass doors whose bottom rail (shoe) is too shallow for the MS1861 Bottom Rail Deadbolt (see DEADLOCKS). Mechanism is that of the MS1850 Deadlock, but with the bolt size reduced. This keeps the threshold strike opening to a practical minimum, avoiding collection of debris or snagging on high-heeled shoes. Armor faceplate protects cylinder setscrews from tampering and keeps them from loosening. Not applicable to wood doors.



Operation

360° turn of key or thumbturn throws or retracts the counterbalanced bolt. Key can be removed only when bolt is in a positively locked or unlocked position. Lock accepts any standard 1-5/32" mortise cylinder from either or both sides. Cylinder must have MS® dimensioned cam.

Specifications

CYLINDER HEIGHT (BACKSET)

- 31/32" and 1-1/8" only.

CASE

- Steel with corrosion-resistant plating, measures 1" x 6" x depth (depth varies with cylinder height).

BOLTS

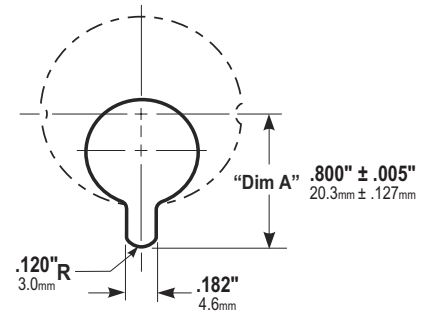
- 15/32" x 5/8" x 2-1/8" with 5/8" throw. Six-ply laminated steel with eight plies within case. Center ply has alumina-ceramic core to deter hacksaw attack.

STRIKE

- See back page for dimensions of strike slot which can be cut in metal thresholds. 4006 strike (shown) is available separately, with stainless steel trim plate and plastic box.

CYLINDER CAM

- 1830 Bottom Rail Deadlocks are operable by any standard 1-5/32" diameter mortise cylinder with MS® cam, dimensioned as shown. Cylinders with MS® cams can be readily obtained from most cylinder manufacturers. See CYLINDERS section for cylinder make, thumbturn and trim ring information.



OPTIONS

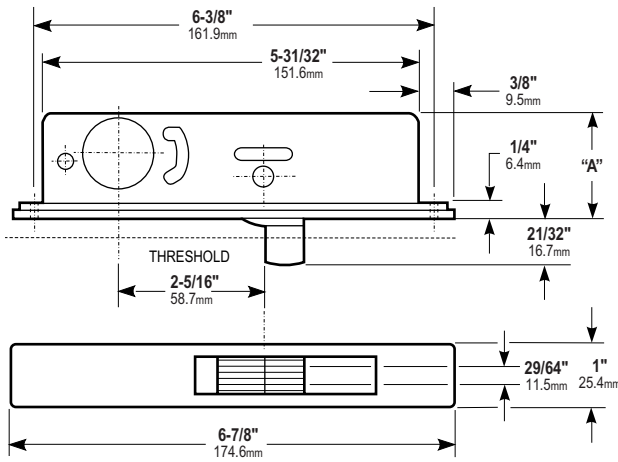
- Specify either 31/32" or 1-1/8" cylinder height (see dash table). 4006 strike and cylinder(s) available separately, if required.

STANDARD PACKAGE

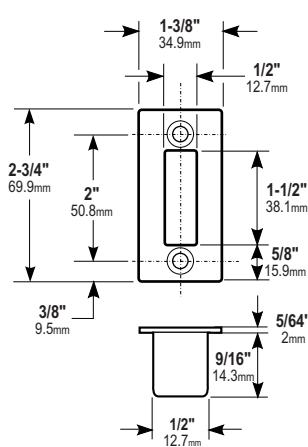
- Individually boxed with machine screws for mounting. Cylinders and/or thumbturns are available separately. Shipping weight: 1-1/2 lbs.

All measurements are approximate and are provided for informational purposes only. Refer to the product Installation Instructions.

Dimensions

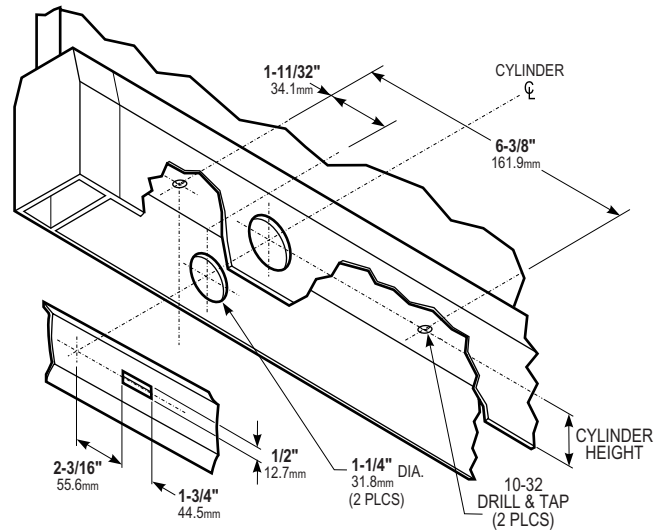


4006 Strike Dimensions

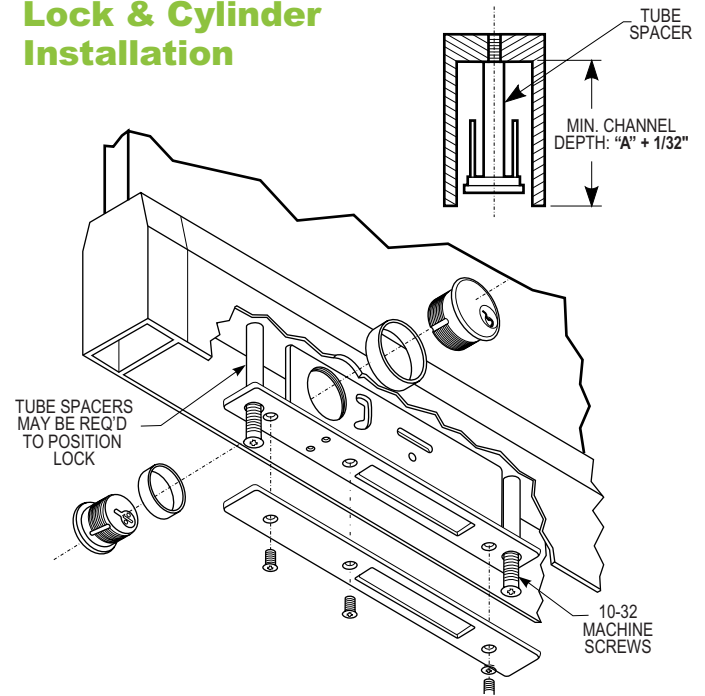


DASH NO.	CYLINDER HEIGHT	DIM. A
-02	31/32\"/>	
-03	1-1/8\"/>	

Stile & Threshold Preparation



Lock & Cylinder Installation



HOW TO ORDER 1830 BOTTOM RAIL DEADLOCK Specify quantity and the following information. Order related products separately.

PRODUCT NO.	DASH NO. (SPECIFY FOR CYLINDER HEIGHT AND LOCK DEPTH)	FINISH
1830	-02	-628
	02 Cylinder Height 31/32" Dim. "A" 1-5/8"	628 Clear Anodized
	03 Cylinder Height 1-1/8" Dim. "A" 1-25/32"	313 Dark Bronze Anodized

RELATED PRODUCTS When purchasing this product, please consider the following related products, available separately:

Accessories

- 4006 strike.
- Cylinder guards.

Cylinders

1830 Bottom Rail Deadlocks are operable by any standard 1-5/32" diameter mortise cylinder with MS® cam.